

NOTES:

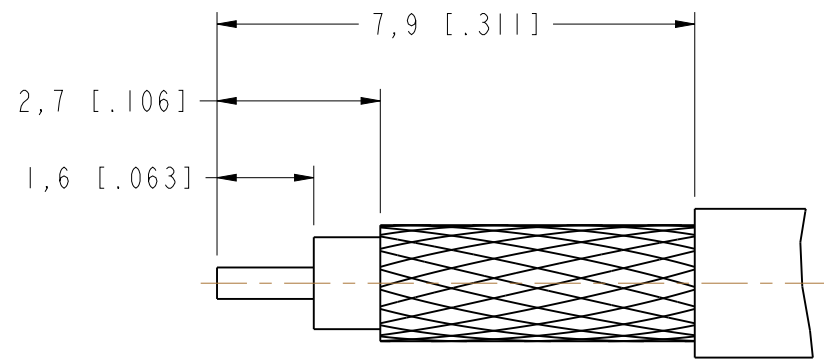
- MATERIAL AND FINISHES:
 - FERRULE - BRASS, GOLD PLATING
 - COVER - BRASS, GOLD PLATING
 - SPRING RING - BeCu, GOLD PLATING
 - BODY - BRASS, GOLD PLATING
 - CONTACT - BRASS, GOLD PLATING
 - INSULATOR - PTFE, NATURAL

- ELECTRICAL:
 - A. IMPEDANCE: 50 OHM
 - B. FREQUENCY RANGE: 0-6 GHz
 - C. D.W.V: 500 VRMS. MIN.

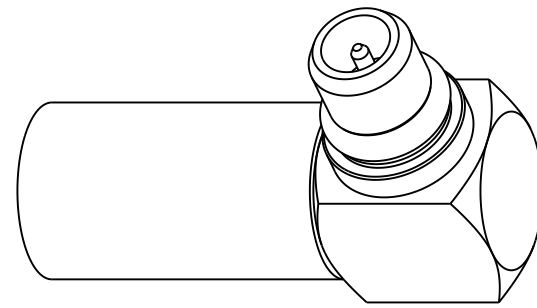
- MECHANICAL:
 - A. DURABILITY: 500 CYCLES MIN.
 - B. TEMPERATURE RANGE: -65°C TO +165°C

4. CRIMP FERRULE HEX CRIMP SIZE .128"

5. CONTACT PIN TO SOLDER



RECOMMENDED
CABLE STRIPPING DIM'S

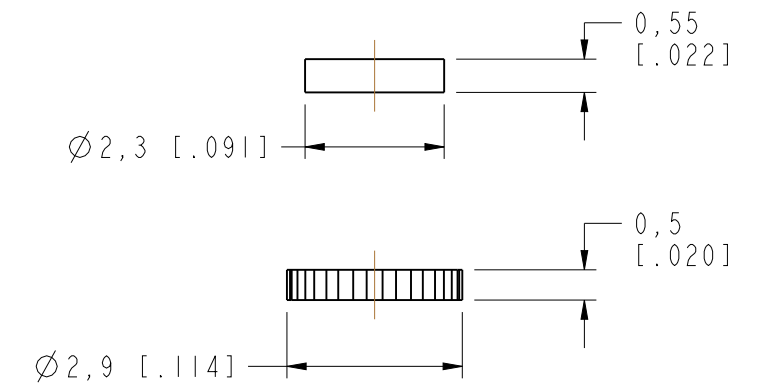
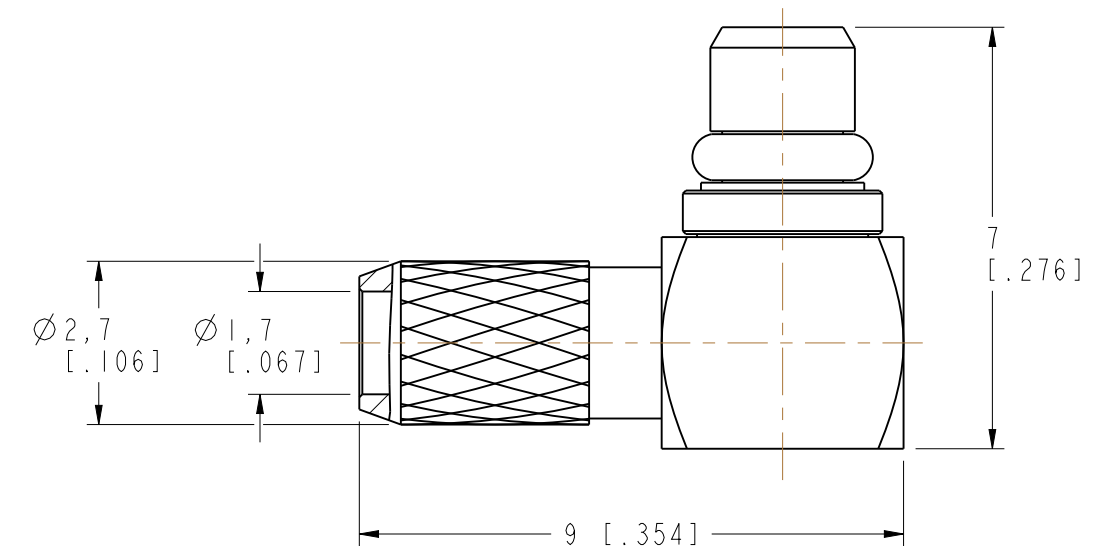
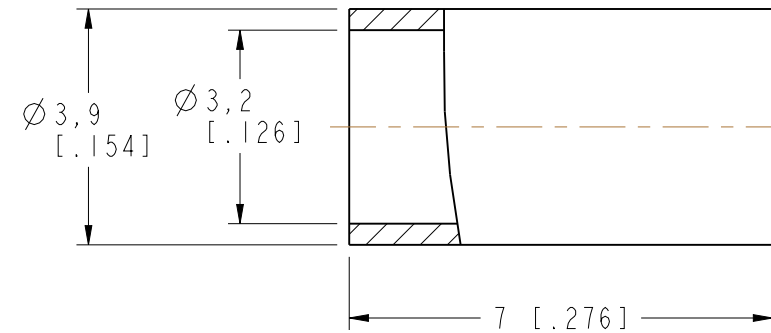


SCALE 6.000

THIRD ANGLE PROJ.

REVISIONS

REV	DESCRIPTION	DATE	ECO	APPR
NC	INITIAL RELEASE	19-Nov-01	-----	GRS
A	UPDATE DRAWING FORMAT	12-Mar-03	-----	GRS
B	REVISE THE FERRULE AND INCREASE THE BARREL O.D. TO .106", ADD STEP DIMENSION	30-Aug-11	2296	MZ
C	ADD INTERFACE DIMENSIONS	27-Aug-12	2366	MZ
D	SYNC THE DRAWINGS, REMOVED R. RING VENDOR NOTE	17-Mar-15	2891	MZ



CUSTOMER OUTLINE DRAWING
ALL OTHER SHEETS ARE FOR INTERNAL USE ONLY

UNLESS OTHERWISE SPECIFIED, DIMENSIONS ARE IN METRIC AND TOLERANCES ARE:
 <0.5mm ±0.05mm 0.5 - 6mm ±0.1mm 6 - 30mm ±0.2mm 30 - 120mm ±0.3mm ANGLES ±1°

NOTICE - These drawings, specifications, or other data (1) are, and remain the property of Amphenol corp. (2) must be returned upon request; and (3) are confidential and not to be disclosed to any person other than those to whom they are given by Amphenol Corp. the furnishing of these drawings, specifications, or other data by Amphenol Corp., or to any other person to anyone for any purpose is not to be regarded by implication or otherwise in any manner licensing, granting rights to permitting such holder or any other person to manufacture, use or sell any product, process or design, patented or otherwise, that may in any way be related to or disclosed by said drawings, specifications, or other data.

MATERIAL	DRAWN M.ZHANG	DATE 17-Mar-15	TITLE MMCX R/A CRIMP PLUG (FOR RG-174/U, 188A/U 316/U CABLE)		Amphenol Connex
REFERENCE MMCX112A1-020-3GT30G-50	ENGINEER S.LI	DATE 25-Apr-12	SCALE: 8.0:1.0 SHEET 3 OF 3		
CONFIGURATION LEVEL: In Work	APPROVED S.HSIEH	DATE 17-Mar-15	DWG SIZE B	REV D	DRAWING NO.
FINISH	CAD FILE				ITEM NO.
					PART NO. 262103

X-ON Electronics

Largest Supplier of Electrical and Electronic Components

Click to view similar products for [RF Connectors / Coaxial Connectors](#) category:

Click to view products by [Amphenol](#) manufacturer:

Other Similar products are found below :

[8915-1511-000](#) [89674-0827](#) [6001-7071-019](#) [6002-7051-003](#) [6002-7551-202](#) [6059674-1](#) [619550-1](#) [630059-000](#) [M39030/3-01N](#) [M3933/25-36N](#) [6500-7071-046](#) [6769](#) [CX050L2AQ](#) [7002-1542-011](#) [7004-1512-000](#) [7009-1511-004](#) [7010-1511-000](#) [7029-1511-060](#) [7101-1541-010](#) [7101-1571-002](#) [7105-1521-002](#) [7145-1521-002](#) [7203-1571-003](#) [7209-1511-011](#) [7210-1511-015](#) [7210-1511-019](#) [73137-5015](#) [73216-2241](#) [7325-1512-000](#) [73404-2300](#) [7405-1521-005](#) [7405-1521-802](#) [7406-1521-005](#) [8527](#) [8547](#) [FS11V](#) [8808-1511-001](#) [9049-9513-000](#) [9074-9513-000](#) [9101-9573-002](#) [910A205F](#) [9130-9573-002](#) [PL11SC-026](#) [PL375-33](#) [PL40-5](#) [PL71-9](#) [PL74C-221](#) [PL75MC-217](#) [PL803-7](#) [980-8666-005](#)