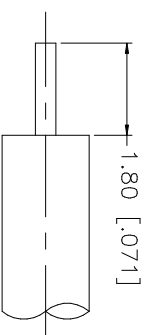
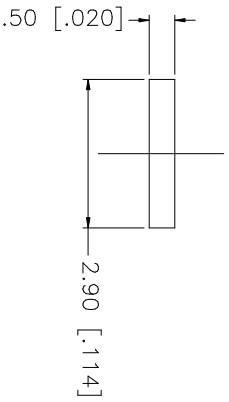
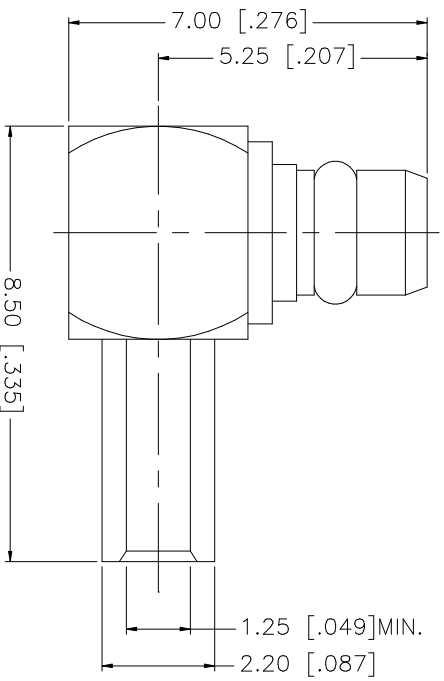


REV.	DATE	DESCRIPTION
NC	01/29/01	INITIAL RELEASE
A	04/30/06	UPDATE DRAWING FORMAT



RECOMMENDED CABLE STRIPPING DIM'S.

DESCRIPTION	MATERIAL	FINISH	QTY	UNLESS OTHERWISE SPECIFIED DIMENSIONS ARE IN INCHES AND FOR SUBSTITUTION REFERENCE ONLY.	UNLESS OTHERWISE SPECIFIED DIMENSIONS ARE IN MILLIMETERS	APPROVALS	DATE	PART DESCRIPTION	DWG. NO.	REV.	SIZE	SCALE	
8				UNLESS OTHERWISE SPECIFIED DIMENSIONS ARE IN INCHES AND FOR SUBSTITUTION REFERENCE ONLY.	UNLESS OTHERWISE SPECIFIED DIMENSIONS ARE IN MILLIMETERS			<p>Amphenol Connex</p> <p>MMCX R/A DIRECT SOLDER PLUG (FOR .047" SEMI-RIGID CABLE)</p> <p>262128</p>	262128.DWG	A	A	N/A	
7				UNLESS OTHERWISE SPECIFIED DIMENSIONS ARE IN INCHES AND FOR SUBSTITUTION REFERENCE ONLY.	UNLESS OTHERWISE SPECIFIED DIMENSIONS ARE IN MILLIMETERS	APPROVALS	DATE						
6				UNLESS OTHERWISE SPECIFIED DIMENSIONS ARE IN INCHES AND FOR SUBSTITUTION REFERENCE ONLY.	UNLESS OTHERWISE SPECIFIED DIMENSIONS ARE IN MILLIMETERS	DRAWN	G.R.S.						04/30/06
5				UNLESS OTHERWISE SPECIFIED DIMENSIONS ARE IN INCHES AND FOR SUBSTITUTION REFERENCE ONLY.	UNLESS OTHERWISE SPECIFIED DIMENSIONS ARE IN MILLIMETERS	CHECKED							
4				UNLESS OTHERWISE SPECIFIED DIMENSIONS ARE IN INCHES AND FOR SUBSTITUTION REFERENCE ONLY.	UNLESS OTHERWISE SPECIFIED DIMENSIONS ARE IN MILLIMETERS	ISSUED							
3	CONTACT PIN	BRASS	1	UNLESS OTHERWISE SPECIFIED DIMENSIONS ARE IN INCHES AND FOR SUBSTITUTION REFERENCE ONLY.	UNLESS OTHERWISE SPECIFIED DIMENSIONS ARE IN MILLIMETERS	SHEET	1 OF 1						
2	INSULATOR	TEFLON	1	UNLESS OTHERWISE SPECIFIED DIMENSIONS ARE IN INCHES AND FOR SUBSTITUTION REFERENCE ONLY.	UNLESS OTHERWISE SPECIFIED DIMENSIONS ARE IN MILLIMETERS								
1	BODY	BRASS	1	UNLESS OTHERWISE SPECIFIED DIMENSIONS ARE IN INCHES AND FOR SUBSTITUTION REFERENCE ONLY.	UNLESS OTHERWISE SPECIFIED DIMENSIONS ARE IN MILLIMETERS								
DESCRIPTION				MATERIAL	FINISH	QTY	DO NOT SCALE DRAWING	CAD FILE	C:/262/262128.DWG				

X-ON Electronics

Largest Supplier of Electrical and Electronic Components

Click to view similar products for [RF Connectors / Coaxial Connectors](#) category:

Click to view products by [Amphenol](#) manufacturer:

Other Similar products are found below :

[8915-1511-000](#) [89674-0827](#) [6001-7071-019](#) [6002-7051-003](#) [6002-7551-202](#) [6059674-1](#) [619550-1](#) [630059-000](#) [M39030/3-01N](#) [M3933/25-36N](#) [6500-7071-046](#) [6769](#) [CX050L2AQ](#) [7002-1542-011](#) [7004-1512-000](#) [7009-1511-004](#) [7010-1511-000](#) [7029-1511-060](#) [7101-1541-010](#) [7101-1571-002](#) [7105-1521-002](#) [7145-1521-002](#) [7203-1571-003](#) [7209-1511-011](#) [7210-1511-015](#) [7210-1511-019](#) [73137-5015](#) [73216-2241](#) [7325-1512-000](#) [73404-2300](#) [7405-1521-005](#) [7405-1521-802](#) [7406-1521-005](#) [8527](#) [8547](#) [FS11V](#) [8808-1511-001](#) [9049-9513-000](#) [9074-9513-000](#) [9101-9573-002](#) [910A205F](#) [9130-9573-002](#) [PL11SC-026](#) [PL375-33](#) [PL40-5](#) [PL71-9](#) [PL74C-221](#) [PL75MC-217](#) [PL803-7](#) [980-8666-005](#)