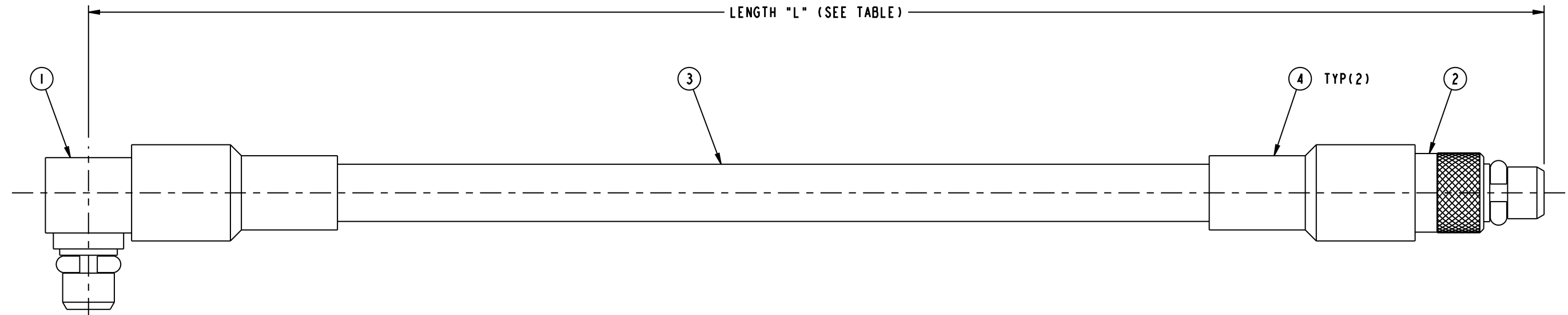
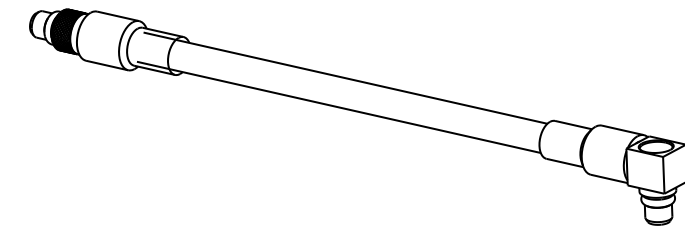


NOTES:

1. PACKAGE INDIVIDUALLY IN HEAT SEALED BAG. TAG IN BAG WITH "AMPHENOL CONNEX, 265103-08-XX.XX AND DATE CODE".
2. CABLE ASSEMBLY TO BE 100% TESTED FOR HI-POT, CONTINUITY, SHORTS AND OPEN.

265103-08-XX.XX		REVISIONS			
DRAWING NO.	REV	DESCRIPTION	DATE	ECO	APPR
THIRD ANGLE PROJ.	A	RELEASE TO MFG.	02-Jun-10	--	CL



PART NUMBER	LENGTH (IN.)
265103-08-06.00	6.000"±0.150"
265103-08-12.00	12.000"±0.150"
265103-08-24.00	24.000"±0.250"
265103-08-36.00	36.000"±0.500"

DESIGN REQUIREMENTS:

FREQUENCY TO GHz CONTINUITY

VSWR : 1 MAX HI-POT : 500 VRMS

INS. LOSS dB MAX OTHER

PART NUMBER	QTY	ITEM	DESCRIPTION	FINISH
009-954-341	A/R	4	HEAT SHRINK TUBE	BLACK
009-881-240	A/R	3	RG-178/U COAX CABLE	BLACK
262100	1	2	MMCX STR CRIMP PLUG	
262102	1	1	MMCX R/A CRIMP PLUG	

UNLESS OTHERWISE SPECIFIED, DIMENSIONS ARE IN INCHES AND TOLERANCES ARE: 2 PLACE DECIMAL 3 PLACE DECIMAL ANGLES ±.015 (0,381 mm) ±.005 (0,127 mm) ± 1°	MATERIAL	DRAWN CLEMENT	DATE 02-Jun-10	TITLE MMCX R/A CRIMP PLUG TO MMCX STR CRIMP PLUG, USING RG 178/U COAX CABLE, XX.XX" LENGTH	Amphenol Connex
	REFERENCE	ENGINEER CLEMENT	DATE 02-Jun-10		
NOTICE - These drawings, specifications, or other data (1) are, and remain the property of Amphenol Corp. (2) must be returned upon request; and (3) are confidential and not to be disclosed to any person other than those to whom they are given by Amphenol Corp. The furnishing of these drawings, specifications, or other data by Amphenol Corp., or to any other person to anyone for any purpose is not to be regarded by implication or otherwise in any manner licensing, granting rights or permitting such holder or any other person to manufacture, use or sell any product, process or design, patented or otherwise, that may in any way be related to or disclosed by said drawings, specifications, or other data.		APPROVED	DATE		SCALE: 5.0:1
		CAD FILE Root folder:/Cable assembly/ 265103-08-XX.XX	DWG SIZE B	DRAWING NO. 265103-08-XX.XX	REV A

X-ON Electronics

Largest Supplier of Electrical and Electronic Components

Click to view similar products for [RF Cable Assemblies](#) category:

Click to view products by [Amphenol](#) manufacturer:

Other Similar products are found below :

[73-6352-10](#) [73-6353-3](#) [73-6364-6](#) [R285001001](#) [R288940004](#) [R288940005](#) [145111-05-12.00](#) [1661-C-24](#) [1801171170914KE](#) [24P104C24J1-012](#) [24P104C24P1-006](#) [24P104C24P1-018](#) [24P204C24J1-003](#) [172-2150-EX](#) [1800920920914PJ](#) [FCB-3030-ALT](#) [21117-046](#) [21117-050](#) [PCX-24-50](#) [24P103C24P2-003](#) [25P203C25P2-003](#) [PTWY-24-78](#) [R284008001](#) [R285001021](#) [R285426000](#) [R288940003](#) [R288940008](#) [RF179-74BJ3-77RP1-0305](#) [4814-BB-24](#) [5260-72](#) [JT2N1-CL1-1F](#) [DLP-COAX1](#) [4814-K-48](#) [115101-09-06.00](#) [CCNTN2-MM-LL335-26](#) [73-6351-25](#) [73-6352-3](#) [73-6353-25](#) [1800920920610PJ](#) [GD0BQ0BQ024.0](#) [1-3636-600-5210](#) [TL8A-11SMA-11SMA-01500-51](#) [R284C0351060](#) [R288940009](#) [R284C0351028](#) [R288940002](#) [9702-1SL-1](#) [PT82NSMA](#) [73-6353-10](#) [R285020301W](#)