

ELECTRICAL

FREQUENCY RANGE _____ DC - 26.5 GHz

ATTENUATION ACCURACY ACROSS FREQUENCY RANGE

0 - 10 dB _____ ±0.50 dB
 11 - 20dB _____ ±1.0 dB
 21 - 30 dB _____ ±1.50 dB

VSWR

DC - 18 GHz _____ 1.35:1 MAX
 18 - 26.5 GHz _____ 1.50:1 MAX

INPUT POWER _____

2 WATTS AVG. @ 25°C
 DERATES LINEARLY TO 10% @ 125°C FROM 25°C

PEAK POWER _____

500 WATTS
 (5mSec PULSE WIDTH, .05% DUTY CYCLE)

IMPEDANCE _____

50 OHMS

OPERATING TEMP RANGE _____

4 KELVIN TO +125°C

CONFORMANCE TESTING IS 100% ATTENUATION AND V.S.W.R. ACROSS SWEPT FREQUENCY RANGE AT 20-25°C

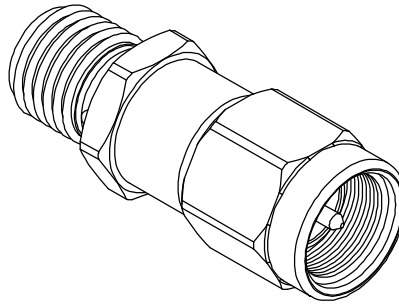
MECHANICAL

CONNECTOR BODIES _____ PASSIVATED STAINLESS STEEL
 CENTER CONDUCTORS _____ GOLD PLATED BERYLLIUM COPPER
 INSULATORS _____ PTFE (TEFLON) IAW ASTM-D1710
 RESISTIVE ELEMENT _____ THIN FILM ON CERAMIC RESISTIVE CIRCUIT
 NOT A HERMETIC SEALED UNIT
 RECOMMENDED CONNECTION TORQUE IS 7-8 in./Lbs. (0.8 to 0.9 Nm)

MATERIALS, ENVIRONMENTAL PERFORMANCE & FINISHES COMPLY TO MIL-DTL-3933

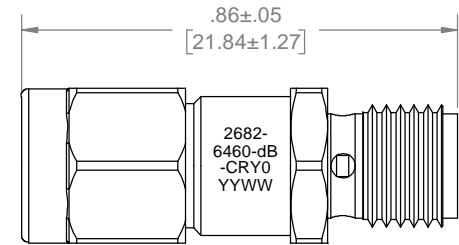
MARKING

PART LOOKS LIKE PRODUCT IMAGE ABOVE.
 PART MARKING ORIENTATION AND FORMAT AS SHOWN.
 MARKING TO BE AS LARGE AS POSSIBLE BE, CLEAR, READABLE.
 "-dB" TO BE REPLACED WITH TWO DIGIT dB VALUE SPECIFIED ON WORK ORDER
 YYWW = DATE CODE.

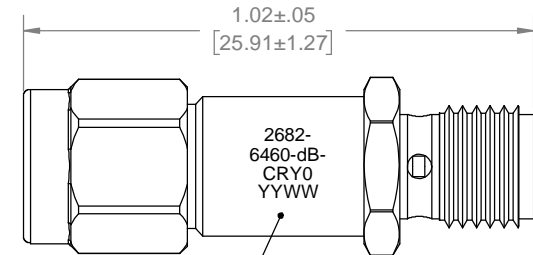


REVISIONS				
REV	DESCRIPTION	ECO #	DATE	APPROVED
A	NOT ROHS COMPLIANT	20-075	5/27/20	T.KUHN
B	CORRECT P/N IN BOM	20-097	7/8/20	M.HIGGINS
C	0-10 dB ±0.50 dB	20-162	10/8/20	MH
D	ADDED 0dB TO TABLE	21-005	1/19/21	JIM W

0dB - 12dB



13dB - 40dB



MARKING AREA
SEE NOTE

PART NO	ATTENUATION
2682-6460-00-CRY0	0dB
2682-6460-01-CRY0	1dB
2682-6460-03-CRY0	3dB
2682-6460-05-CRY0	5dB
2682-6460-06-CRY0	6dB
2682-6460-10-CRY0	10dB
2682-6460-12-CRY0	12dB
2682-6460-15-CRY0	15dB
2682-6460-20-CRY0	20dB
2682-6460-30-CRY0	30dB

QTY.	PART NUMBER	DESCRIPTION	ITEM NO.
X	2682-6460-dB-CRY0	ATTENUATOR, SMA-m/f, DC-26.5GHz, 2W	
1	TA-2682-6460-dBU-CRY0	ASSY, ATTENUATOR, SMA-m/f, DC-26.5GHz, 2W, CRYO, UNMARKED	1

DRAWING PRACTICES PER ANSI-Y-14.5 MIL-STD-100 & 1000
 DIMENSIONS ARE IN INCHES AND APPLY BEFORE / AFTER PROCESSING
 SURFACE ROUGHNESS μ INCHES 63
 FINISH:
 SEE NOTES
 MATERIAL:
 SEE NOTES
 NOTE:
 THIS DRAWING INCORPORATES THIRD ANGLE PROJECTION.
 INTERPRET IAW ANSI Y14.5-1982

UNLESS OTHERWISE SPECIFIED TOLERANCES IN:
 DECIMALS INCH [MM]
 .X" .05" [1.27]
 .XX" .03" [.76]
 .XXX" .010" [.25]
 ANGLES ±0°30'
 REMOVE ALL BURRS/SHARP W/ BREAK / R OF .003" TO .0005" UNLESS OTHERWISE NOTED DIAS CONCENTRIC <.003 T.I.R.
 DO NOT SCALE PRINT

DRAWN DATE
 MCCORMICK 7/24/14
 CHECKED DATE
 MCCORMICK 7/24/14
 ENG. APPR. DATE
 T.KUHN 7/24/14

THESE DRAWINGS AND SPECIFICATIONS ARE THE PROPERTY OF XMA CORP. OR OMNI SPECTRA AND SHALL NOT BE REPRODUCED, COPIED NOR USED - IN WHOLE OR IN PART - AS A BASIS FOR THE MANUFACTURE OR SALE OF OTHER ITEMS WITHOUT THE EXPRESS WRITTEN PERMISSION OF XMA CORP.

XMA Omni Spectra
 Phone: 603-222-2256 Fax: 603-222-2259
 150 Dow Street, Manchester, NH 03101

ATTENUATOR, SMA, M/F, DC-26.5GHz, 2 WATT

SIZE	CAGE CODE	DRAWING NUMBER	REV
B	3HT76	2682-6460-dB-CRYO	D
SCALE	PLATED AREA SQ. IN	SHEET 1 OF 1	

X-ON Electronics

Largest Supplier of Electrical and Electronic Components

Click to view similar products for [Attenuators - Interconnects](#) category:

Click to view products by [Amphenol](#) manufacturer:

Other Similar products are found below :

[R414701000](#) [R411800121](#) [R413840115](#) [ATT-523F-05-SMA-02](#) [R413305000](#) [R411808121](#) [R412501124](#) [R414702000](#) [ATP8-10006KV](#)
[R414705000](#) [R411710124](#) [R410220121](#) [CT3369A-20](#) [09AS102-K40S3](#) [R411802000](#) [ATT-263F-03-SMA-02](#) [R417320130](#) [R412508124](#)
[R417030110](#) [ATT-523F-12-SMA-02](#) [ATT-263F-06-SMA-02](#) [ATT-0263-22-SMA-02](#) [ATT-263F-10-SMA-02](#) [ATT-523F-10-SMA-02](#)
[R422030020](#) [R422020030](#) [R417506130](#) [ATT-0263-25-SMA-02](#) [R413810000](#) [R411810124](#) [R413803000](#) [R417330110](#) [ATT-0290-02-HEX-](#)
[02](#) [R415603000](#) [R415620000](#) [R415606000](#) [R415610000](#) [ATT-0290-00-SMA-02](#) [AT-130V](#) [CATTEN-05R0-BNC](#) [CATTEN-04R0-BNC](#)
[6620_SMA-50-1/199_NE](#) [6630_SMA-50-2/199_NE](#) [CATTEN-06R0-BNC](#) [ATT-0294-02-SMA-02](#) [ATT-0298-06-HEX-02](#) [6610_SMA-50-](#)
[2/199_NE](#) [6605_SMA-50-1/199_NE](#) [6820.17.A](#) [6803.17.B](#)