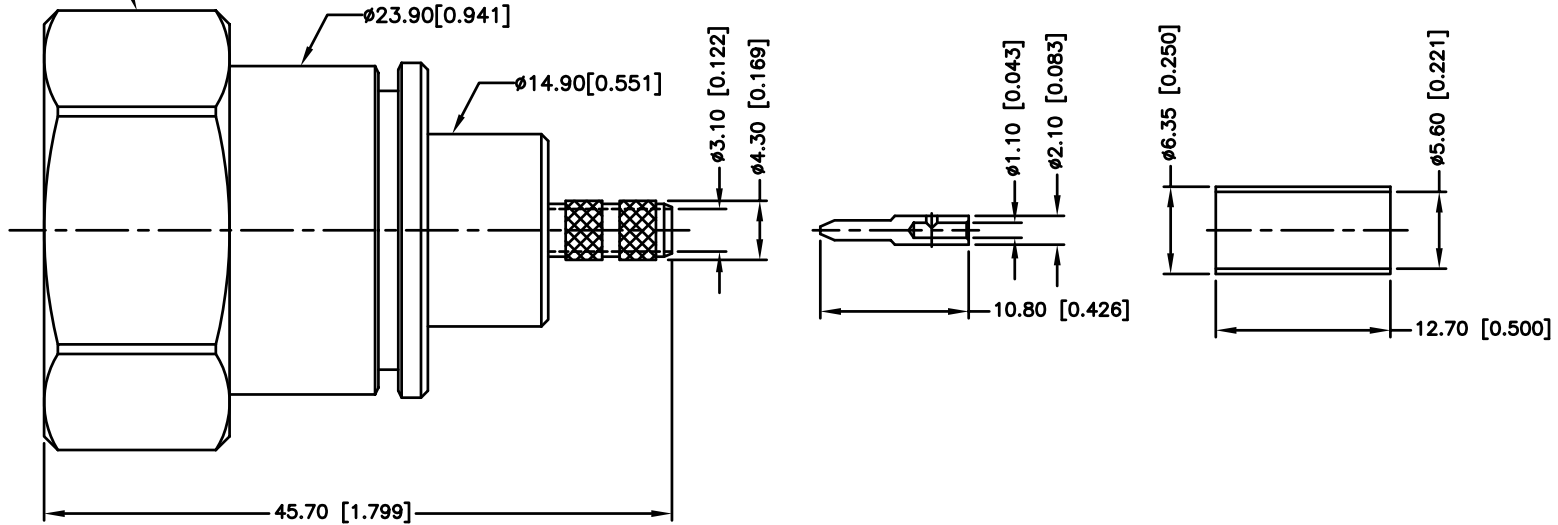


REV.	DATE	ECR NO	DESCRIPTION
A	12/29/00	--	MODIFY PLATING TO SILVER
B	12/27/05	--	MODIFY PLATING TO NEXCOTE / UPDATE DRAWING FORMAT
C	07/14/10	2073	UPDATED DESIGN

32.00 ON HEX  
[1.260]



1. ELECTRIC PERFORMANCE IEC60169-4

NOMINAL IMPEDANCE(Ω)	: 50±2
FREQUENCY RANGE	: DC-3GHZ
VSWR	: ≤1.10
INSERT LOSS	: ≤0.05
INSULATION RESISTANCE(MΩ)	: >10000
PROOF VOLTAGE (V)	: 1500
CONDUCTOR RESISTANCE(MΩ)	: OUTER CONDUCTOR<0.2 INNER CONDUCTOR<0.8

2. MECHANICAL PERFORMANCE

NUT TORQUE	: 25N.m
(NUT)WHORL PULL	: 1000N
TENSILE FORCE (CABLE-CONNECT)	: 100N
TORSION(CABLE-CONNECT)	: 0.2N.m

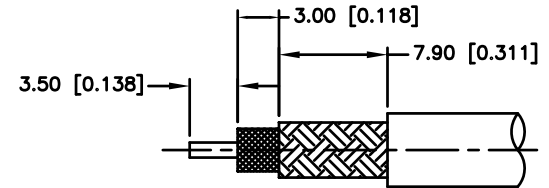
1V. ENVIRONMENT

TEMP.RANGE	: -55°C TO +155°C
WEATHER STANDARD	: IEC 60068 55 / 155/ 56
THERMAL SHOCK	: US MIL-STD 202.METH.107,COND.B
VIBRATION	: US MIL-STD 202.METH.204,COND.B
SHOCK	: US MIL-STD 202.METH.213,COND.1

V. ASSEMBLY

: INNER CONDUCTOR SOLDERED AND  
OUTER CONDUCTOR CRIMPED

V1. ROHS COMPLIANT.



RECOMMENDED CABLE  
STRIPPING DIM'S

				UNLESS OTHERWISE SPECIFIED DIMENSIONS ARE IN MILLIMETERS. DIMENSIONS IN [ ] ARE IN INCHES AND FOR CUSTOMER REFERENCE ONLY.	APPROVALS	DATE	<b>Amphenol Connex</b>				
				UNLESS OTHERWISE SPECIFIED TOLERANCES FOR MILLIMETERS ARE: 0.5 - 8mm ± 0.20mm 8 - 30mm ± 0.40mm 30 - 120mm ± 0.50mm	DRAWN	CLEMENT					07/14/10
				UNLESS OTHERWISE SPECIFIED TOLERANCES FOR INCHES ARE: .020 - .315 = ± 0.007" .315 - 1.180 = ± 0.015" 1.180 - 4.724 = ± 0.020"	CHECKED			PART NO. <b>722103</b>			
6	INSULATOR	PTFE	NATURAL	1	ISSUED						
5	GASKET	SILICONE RUBBER	NATURAL	1	SHEET	1 OF 1		REV. C	SIZE A	SCALE NA	
4	NUT	BRASS	WHITE BRONZE	1	DO NOT SCALE DRAWING						
3	TUBE	COPPER	WHITE BRONZE	1	CAD FILE C:/272/272103.DWG						
2	OUTER CONDUCTOR	BRASS	WHITE BRONZE	1							
1	INNER CONDUCTOR	SPRING COPPER/BRASS	SILVER	1							
DESCRIPTION				MATERIAL	FINISH	QTY					

## X-ON Electronics

Largest Supplier of Electrical and Electronic Components

*Click to view similar products for [RF Connectors / Coaxial Connectors](#) category:*

*Click to view products by [Amphenol](#) manufacturer:*

Other Similar products are found below :

[8915-1511-000](#) [89674-0827](#) [6001-7071-019](#) [6002-7051-003](#) [6002-7551-202](#) [6059674-1](#) [619550-1](#) [630059-000](#) [M39030/3-01N](#) [M3933/25-36N](#) [6500-7071-046](#) [6769](#) [CX050L2AQ](#) [7002-1542-011](#) [7004-1512-000](#) [7009-1511-004](#) [7010-1511-000](#) [7029-1511-060](#) [7101-1541-010](#) [7101-1571-002](#) [7105-1521-002](#) [7145-1521-002](#) [7203-1571-003](#) [7209-1511-011](#) [7210-1511-015](#) [7210-1511-019](#) [73137-5015](#) [73216-2241](#) [7325-1512-000](#) [73404-2300](#) [7405-1521-005](#) [7405-1521-802](#) [7406-1521-005](#) [8527](#) [8547](#) [FS11V](#) [8808-1511-001](#) [9049-9513-000](#) [9074-9513-000](#) [9101-9573-002](#) [910A205F](#) [9130-9573-002](#) [PL11SC-026](#) [PL375-33](#) [PL40-5](#) [PL71-9](#) [PL74C-221](#) [PL75MC-217](#) [PL803-7](#) [980-8666-005](#)