

NOTE:

REFERENCE STANDARD IEC60169-4

I. ELECTRIC PERFORMANCE

NOMINAL IMPEDANCE ( $\Omega$ ) : 50  
 FREQUENCY RANGE : DC-3GHz  
 VSWR :  $\leq 1.15$   
 INSERTION LOSS :  $< 0.1$   
 INSULATION RESISTANCE ( $M\Omega$ ) :  $>10000$   
 SCREEN EFFICIENCY (dB) :  $>110$   
 PROOF VOLTAGE (V) : 2500  
 POWER RATING (W) : 300W @2GHz  
 CONDUCTOR RESISTANCE ( $m\Omega$ ) : OUTER CONDUCTOR  $<0.2$   
 INNER CONDUCTOR  $<0.8$

II. MECHANICAL PERFORMANCE

(NUT) WHORL PULL : 500N  
 VIBRATION : IEC60068-2-6Fc

III. MATERIAL AND PLATING

INNER CONDUCTOR : BRASS PLATING  $Ag > 5\mu m$   
 OUTER CONDUCTOR : BRASS PLATING COPPER-TIN-ZINC  $2\mu m$   
 TUBE : COPPER PLATING COPPER-TIN-ZINC  $2\mu m$   
 NUT : BRASS PLATING  $Ni > 5\mu m$   
 GASKET : SILICONE RUBBER  
 INSULATOR : PTFE

IV. ENVIRONMENT

TEMP RANGE :  $-55^{\circ}C$  TO  $+155^{\circ}C$   
 WEATHER STANDARD : IEC 60068 55/155/56

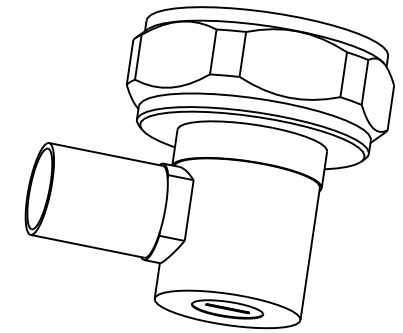
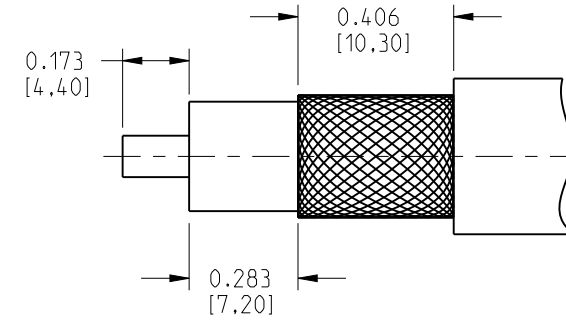
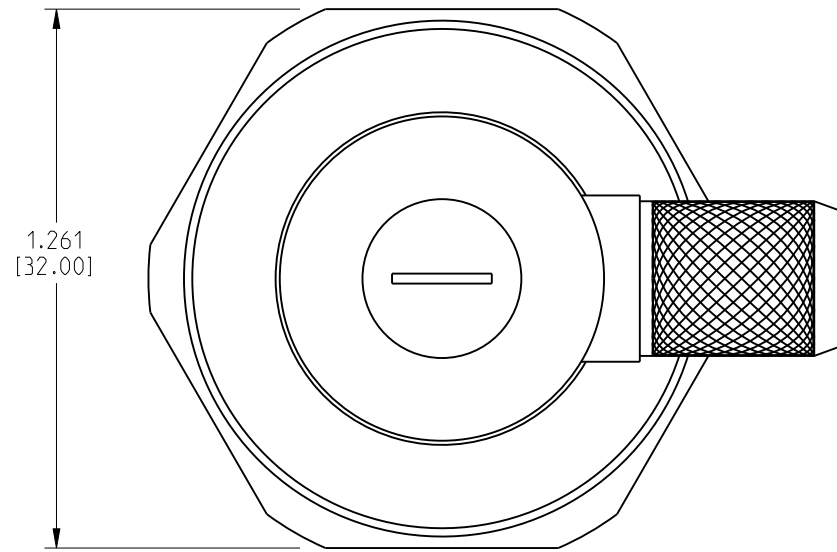
V. ASSEMBLY : INNER CONDUCTOR SOLDERED AND  
 OUTER CONDUCTOR CRIMPED

VI. STORAGE

IT SHOULD BE STOCKED IN THE WAREHOUSE WITH  
 ENVIRONMENT TEMP  $-45^{\circ}C$  TO  $+85^{\circ}C$  AND RELATIVE HUMIDITY  
 NO MORE THAN 80% WITHOUT ACIDIC, ALKALINE OR ANY OTHER  
 CORROSIVE AIR.

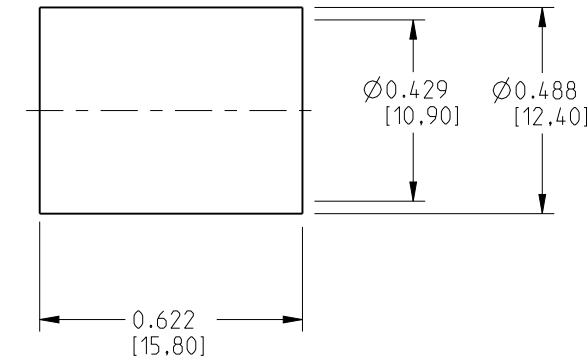
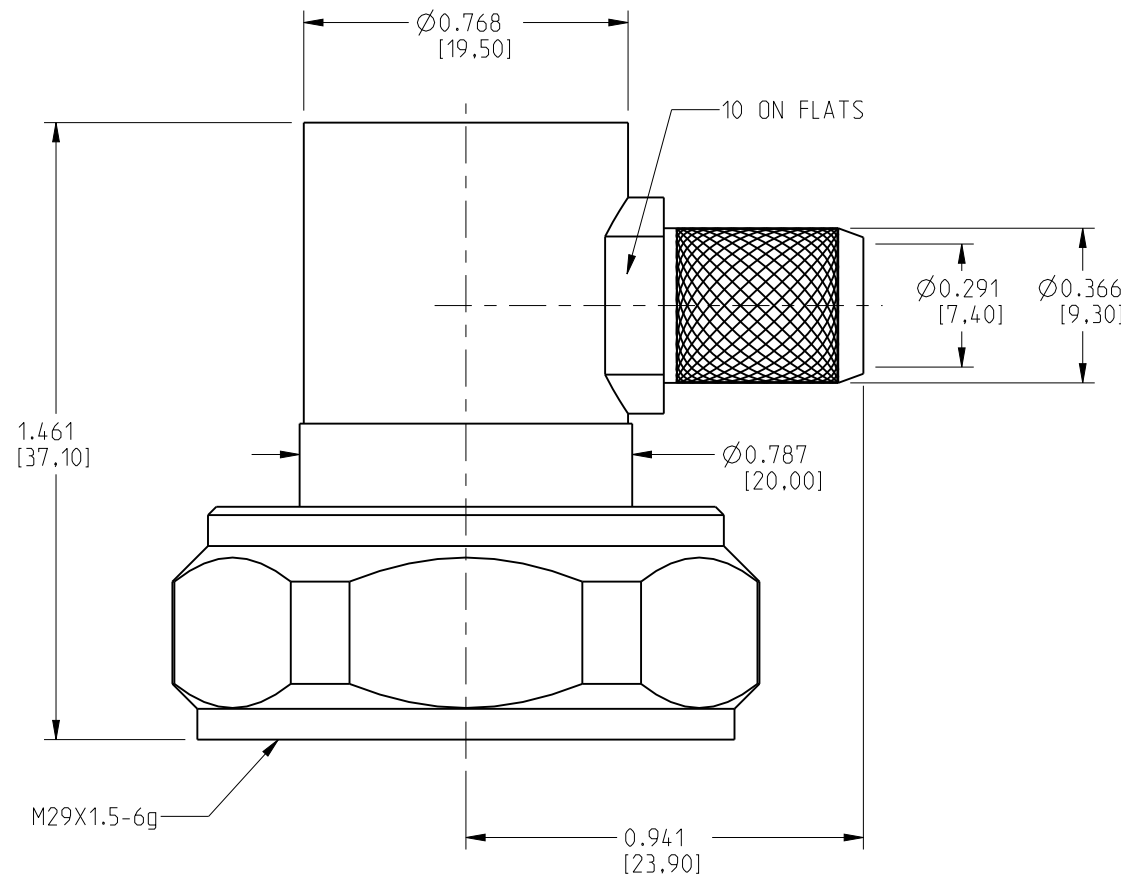
VII. ROHS COMPLIANT.

272115		REVISIONS			
DRAWING NO.	REV	DESCRIPTION	DATE	ECO	APPR
THIRD ANGLE PROJ.	A	REVISE PLATING TO SILVER	29-Dec-00	--	
	B	REVISE PLATING TO NEXCOTE, UPDATE DRAWING FORMAT	30-Jul-06	--	
	C	REVISE MATING FACE TO 32 HEX NUT, FERRULE I.D.	27-Jul-08	--	
	D	COLOR OF GASKET IS UPDATED TO RED	13-Apr-11	--	
	E	UPDATED PER THE LATEST SUPPLIER PRINT	14-Dec-11	2266	RAK



SCALE 1.000

RECOMMENDED CABLE STRIPPING DIMENSIONS



QTY	FINISH	MATERIAL	DESCRIPTION
1	WHITE BRONZE	COPPER	FERRULE
1	WHITE BRONZE	BRASS	COVER
1	RED	SILICONE	GASKET
1	SILVER	BRASS	CONTACT PIN
1	NATURAL	PTFE	INSULATOR
1	WHITE BRONZE	BRASS	BODY

UNLESS OTHERWISE SPECIFIED, DIMENSIONS ARE IN INCHES AND TOLERANCES ARE:  
 2 PLACE DECIMAL  $\pm .015$  (0,381 mm)  
 3 PLACE DECIMAL  $\pm .005$  (0,127 mm)  
 ANGLES  $\pm 1^{\circ}$

NOTICE - These drawings, specifications, or other data (1) are, and remain the property of Amphenol Corp. (2) must be returned upon request; and (3) are confidential and not to be disclosed to any person other than those to whom they are given by Amphenol Corp. The furnishing of these drawings, specifications, or other data by Amphenol Corp., or to any other person to anyone for any purpose is not to be regarded by implication or otherwise in any manner licensing, granting rights or permitting such holder or any other person to manufacture, use or sell any product, process or design, patented or otherwise, that may in any way be related to or disclosed by said drawings, specifications, or other data.

MATERIAL  
 SEE TABLE

REFERENCE  
 TASK # 827

DRAWN  
 ABHAYA KISHORE  
 DATE  
 14-Dec-11

ENGINEER  
 ABHAYA KISHORE  
 DATE  
 14-Dec-11

APPROVED  
 DATE

CAD FILE

TITLE  
 7/16 R/A CRIMP  
 PLUG (FOR RG-8/U,  
 213/U, LMR 400 CABLE)

Amphenol  
 Connex

SCALE: 2.2:1 SHEET 1 OF 1

DWG SIZE DRAWING NO. 272115 REV E

## X-ON Electronics

Largest Supplier of Electrical and Electronic Components

*Click to view similar products for [RF Connectors / Coaxial Connectors](#) category:*

*Click to view products by [Amphenol](#) manufacturer:*

Other Similar products are found below :

[8915-1511-000](#) [89674-0827](#) [6001-7071-019](#) [6002-7051-003](#) [6002-7551-202](#) [6059674-1](#) [619550-1](#) [630059-000](#) [M39030/3-01N](#) [M3933/25-36N](#) [6500-7071-046](#) [6769](#) [CX050L2AQ](#) [7002-1542-011](#) [7004-1512-000](#) [7009-1511-004](#) [7010-1511-000](#) [7029-1511-060](#) [7101-1541-010](#) [7101-1571-002](#) [7105-1521-002](#) [7145-1521-002](#) [7203-1571-003](#) [7209-1511-011](#) [7210-1511-015](#) [7210-1511-019](#) [73137-5015](#) [73216-2241](#) [7325-1512-000](#) [73404-2300](#) [7405-1521-005](#) [7405-1521-802](#) [7406-1521-005](#) [8527](#) [8547](#) [FS11V](#) [8808-1511-001](#) [9049-9513-000](#) [9074-9513-000](#) [9101-9573-002](#) [910A205F](#) [9130-9573-002](#) [PL11SC-026](#) [PL375-33](#) [PL40-5](#) [PL71-9](#) [PL74C-221](#) [PL75MC-217](#) [PL803-7](#) [980-8666-005](#)