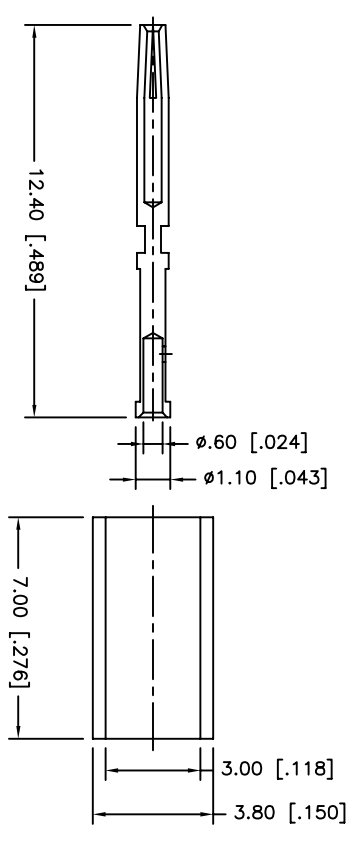
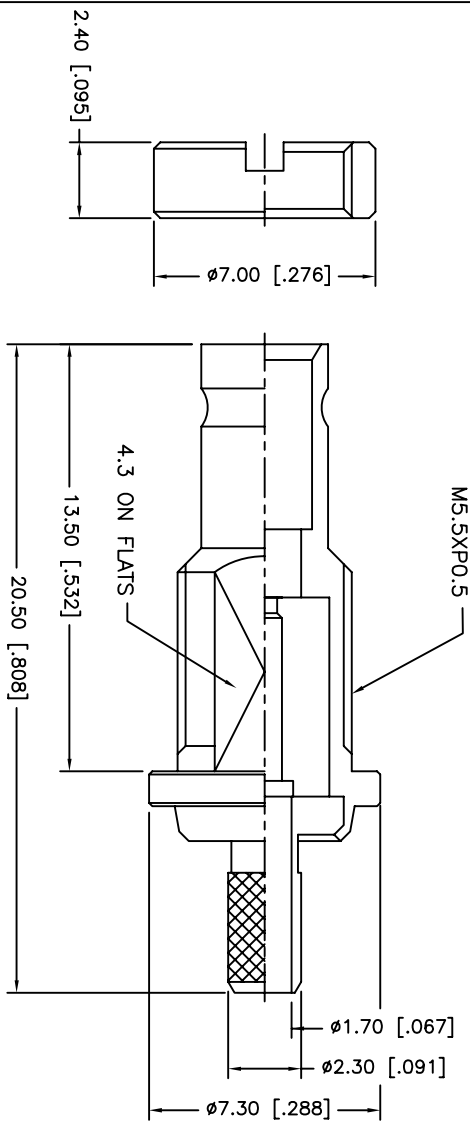
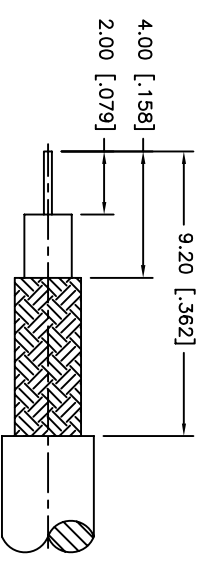
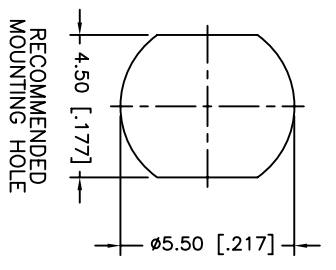


| REV. | DATE | ECR NO. | DESCRIPTION |
|------|----------|---------|-----------------|
| NC | 09/04/09 | XXXXXX | INITIAL RELEASE |



1. CRIMPED FERRULE
HEX CRIMP SIZE .128"
2. SOLDER CENTER CONTACT

| QTY | FINISH | MATERIAL | DESCRIPTION |
|-----|---------|-------------|-------------|
| 1 | GOLD | BRASS | BODY |
| 1 | NATURAL | PTFE | INSULATOR |
| 1 | GOLD | BER. COPPER | CONTACT PIN |
| 1 | NICKEL | BRASS | BARREL |
| 1 | NICKEL | BRASS | HEX NUT |
| 1 | NICKEL | COPPER | FERRULE |

| APPROVALS | DATE |
|--------------|----------|
| DRAWN CW | 09/04/09 |
| CHECKED | |
| ISSUED | |
| SHEET 1 OF 1 | |

| PART NO. | DWG. NO. | REV. | NC | SIZE | SCALE |
|-----------|---------------|------|----|------|-------|
| 282102-75 | 282102-75.DWG | NC | | A | NA |

| UNLESS OTHERWISE SPECIFIED, DIMENSIONS ARE IN INCHES AND FOR CUSTOMER REFERENCE ONLY. |
|---|
| UNLESS OTHERWISE SPECIFIED, TOLERANCES FOR MILLIMETERS ARE: 0.5 - 8mm ± 0.20mm 8 - 30mm ± 0.40mm 30 - 120mm ± 0.50mm |
| UNLESS OTHERWISE SPECIFIED, TOLERANCES FOR INCHES ARE: .020 - .315 = ± 0.007" .315 - 1.180 = ± 0.015" 1.180 - 4.724 = ± 0.020" |
| DO NOT SCALE DRAWING |

| APPROVALS | DATE |
|--|------|
| Amphenol Connex | |
| 1.0/2.3 CRIMP JACK (FOR RG-179/U, 187A/U) | |

X-ON Electronics

Largest Supplier of Electrical and Electronic Components

Click to view similar products for [RF Connectors / Coaxial Connectors](#) category:

Click to view products by [Amphenol](#) manufacturer:

Other Similar products are found below :

[8915-1511-000](#) [89674-0827](#) [6001-7071-019](#) [6002-7051-003](#) [6002-7551-202](#) [6059674-1](#) [619550-1](#) [630059-000](#) [M39030/3-01N](#) [M3933/25-36N](#) [6500-7071-046](#) [6769](#) [CX050L2AQ](#) [7002-1542-011](#) [7004-1512-000](#) [7009-1511-004](#) [7010-1511-000](#) [7029-1511-060](#) [7101-1541-010](#) [7101-1571-002](#) [7105-1521-002](#) [7145-1521-002](#) [7203-1571-003](#) [7209-1511-011](#) [7210-1511-015](#) [7210-1511-019](#) [73137-5015](#) [73216-2241](#) [7325-1512-000](#) [73404-2300](#) [7405-1521-005](#) [7405-1521-802](#) [7406-1521-005](#) [8527](#) [8547](#) [FS11V](#) [8808-1511-001](#) [9049-9513-000](#) [9074-9513-000](#) [9101-9573-002](#) [910A205F](#) [9130-9573-002](#) [PL11SC-026](#) [PL375-33](#) [PL40-5](#) [PL71-9](#) [PL74C-221](#) [PL75MC-217](#) [PL803-7](#) [980-8666-005](#)