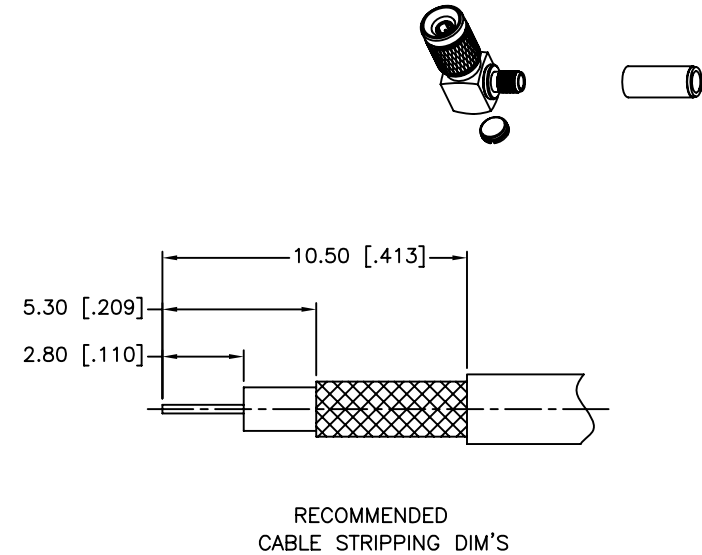
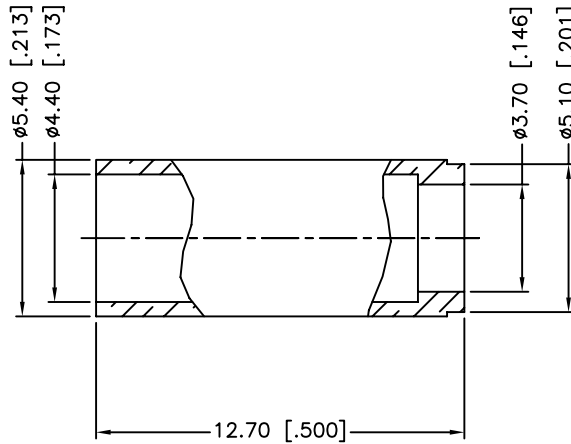
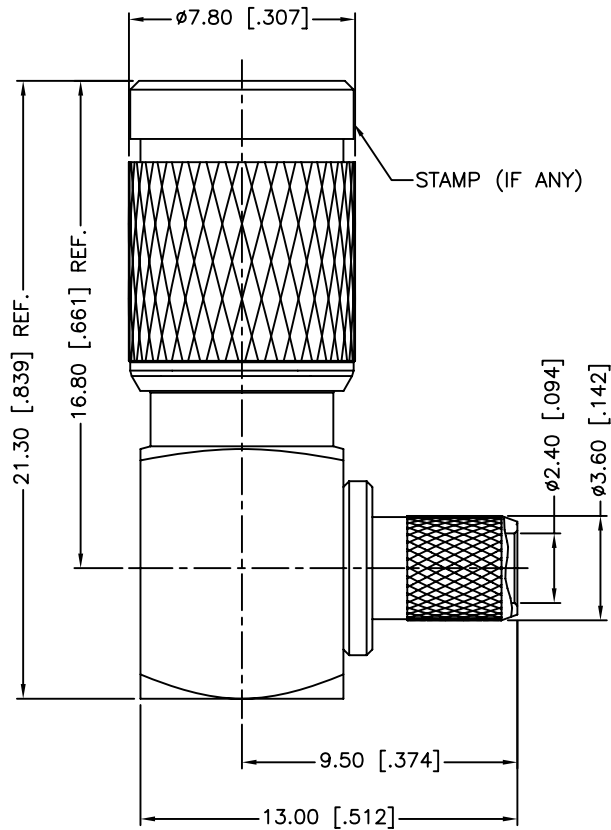


REV.	DATE	ECR NO.	DESCRIPTION
NC	01/02/07	XXXXXX	INITIAL RELEASE
A1	10/16/07	XXXXXX	REVISE BODY DIA. (7.8MM) AND FERRULE I.D. (4.4MM)
			REVISE CABLE STRIPPING LENGTH (13.6MM)
B	06/08/12	2329	UPDATE DRAWING FORMAT



1. IMPEDANCE: 75 OHM
2. FREQUENCY RANGE: DC - 2 GHz
3. DIELECTRIC WITHSTANDING VOLTAGE: 750 VRMS
4. DURABILITY: 500 CYCLES MIN.
5. TEMPERATURE RANGE: -40°C TO +75°C
6. CRIMPED FERRULE
HEX CRIMP SIZE .178"
7. CONTACT PIN TO SOLDER

DESCRIPTION	MATERIAL	FINISH	QTY
8 COVER	BRASS	NICKEL	1
7 FERRULE	BRASS	NICKEL	1
6 SHELL	BRASS	NICKEL	1
5 SPRING	SUS 301H	PASSIVATED	1
4 OUT CONTACT	BER. COPPER	GOLD	1
3 CONTACT PIN	BRASS	GOLD	1
2 INSULATOR	PTFE	NATURAL	1
1 HOUSING WITH BARREL	BRASS	NICKEL	1

UNLESS OTHERWISE SPECIFIED DIMENSIONS ARE IN MILLIMETERS. DIMENSIONS IN [] ARE IN INCHES AND FOR CUSTOMER REFERENCE ONLY.

UNLESS OTHERWISE SPECIFIED TOLERANCES FOR MILLIMETERS ARE:
0.5 - 8mm ± 0.20mm
8 - 30mm ± 0.40mm
30 - 120mm ± 0.50mm

UNLESS OTHERWISE SPECIFIED TOLERANCES FOR INCHES ARE:
.020 - .315 = ± 0.007"
.315 - 1.180 = ± 0.015"
1.180 - 4.724 = ± 0.020"

DO NOT SCALE DRAWING

APPROVALS	DATE
DRAWN M.ZHANG	06/08/12
CHECKED	
ISSUED	
SHEET 1 OF 1	
CAD FILE C:/CONNEX/282119-75.DWG	

<h1>Amphenol Connex</h1>			
PART DESCRIPTION 1.0/2.3 R/A CRIMP PLUG - 75 OHM (FOR AT&T 735A CABLE)			
PART NO. 282119-75			
DWG. NO.	282119-75.DWG	REV.	B
SIZE	A	SCALE	NA

X-ON Electronics

Largest Supplier of Electrical and Electronic Components

Click to view similar products for [RF Connectors / Coaxial Connectors](#) category:

Click to view products by [Amphenol](#) manufacturer:

Other Similar products are found below :

[8915-1511-000](#) [89674-0827](#) [6001-7071-019](#) [6002-7051-003](#) [6002-7551-202](#) [6059674-1](#) [619550-1](#) [630059-000](#) [M39030/3-01N](#) [M3933/25-36N](#) [6500-7071-046](#) [6769](#) [CX050L2AQ](#) [7002-1542-011](#) [7004-1512-000](#) [7009-1511-004](#) [7010-1511-000](#) [7029-1511-060](#) [7101-1541-010](#) [7101-1571-002](#) [7105-1521-002](#) [7145-1521-002](#) [7203-1571-003](#) [7209-1511-011](#) [7210-1511-015](#) [7210-1511-019](#) [73137-5015](#) [73216-2241](#) [7325-1512-000](#) [73404-2300](#) [7405-1521-005](#) [7405-1521-802](#) [7406-1521-005](#) [8527](#) [8547](#) [FS11V](#) [8808-1511-001](#) [9049-9513-000](#) [9074-9513-000](#) [9101-9573-002](#) [910A205F](#) [9130-9573-002](#) [PL11SC-026](#) [PL375-33](#) [PL40-5](#) [PL71-9](#) [PL74C-221](#) [PL75MC-217](#) [PL803-7](#) [980-8666-005](#)