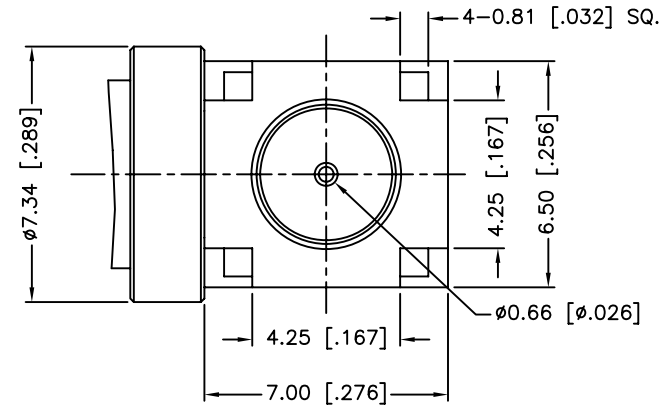
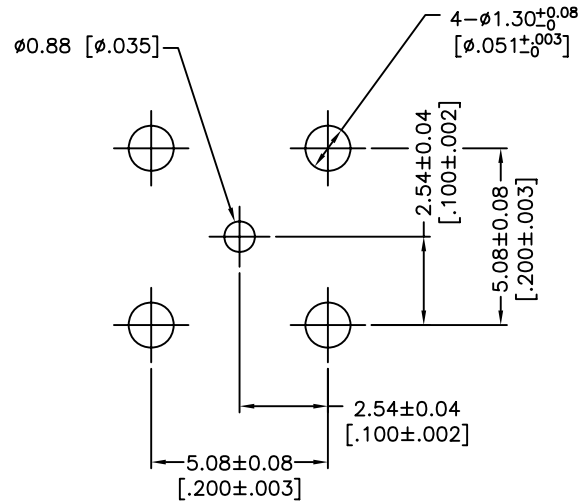
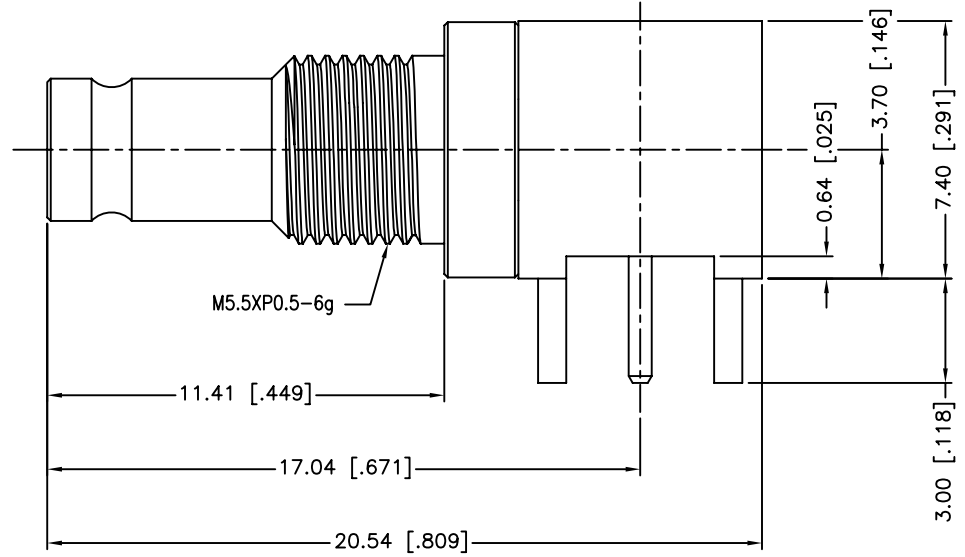
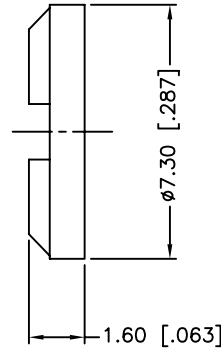


1. IMPEDANCE: 75 OHM
2. FREQUENCY RANGE: DC 0-3 GHZ
3. VSWR(RETURN LOSS): 1.15, MAX.
4. DIELECTRIC WITHSTANDING VOLTAGE: 750 VRMS, MIN.
5. DURABILITY: 500 CYCLES MIN.
6. TEMPERATURE RANGE: -40°C TO +155°C

| REV. | DATE     | ECR NO. | DESCRIPTION                              |
|------|----------|---------|--|
| NC   | 08/04/10 | XXXXXX  | INITIAL RELEASE                          |
| A    | 01/28/13 | 2431    | UPDATE TOLERANCES, UPDATE DRAWING FORMAT |



RECOMMENDED MOUNTING HOLE

| QTY | DESCRIPTION | MATERIAL        | FINISH     |
|-----|-------------|-----------------|------------|
| 1   | SPANNER NUT | BRASS           | NICKEL     |
| 1   | INSULATOR   | PTFE            | NATURAL    |
| 1   | HOUSING     | BRASS           | BRIGHT TIN |
| 1   | INSULATOR   | PTFE            | NATURAL    |
| 1   | CONTACT PIN | PHOSPHOR BRONZE | GOLD       |
| 1   | BODY        | BRASS           | GOLD       |

UNLESS OTHERWISE SPECIFIED DIMENSIONS ARE IN MILLIMETERS. DIMENSIONS IN [ ] ARE IN INCHES AND FOR CUSTOMER REFERENCE ONLY.

UNLESS OTHERWISE SPECIFIED TOLERANCES FOR MILLIMETERS ARE:  
 <0.5 ± 0.05mm  
 0.5 - 6mm ± 0.10mm  
 6 - 30mm ± 0.20mm  
 30 - 120mm ± 0.30mm  
 ANGLES ± 1°

UNLESS OTHERWISE SPECIFIED TOLERANCES FOR INCHES ARE:  
 <.020 ± 0.002"  
 .020 - .236 = ± 0.004"  
 .236 - 1.180 = ± 0.007"  
 1.180 - 4.724 = ± 0.012"  
 ANGLES ± 1°

DO NOT SCALE DRAWING

| APPROVALS |                         | DATE     |
|-----------|-------------------------|----------|
| DRAWN     | S.LI                    | 01/28/13 |
| CHECKED   |                         |          |
| ISSUED    |                         |          |
| SHEET     | 1 OF 1                  |          |
| CAD FILE  | C:/CONNEX/282139-75.DWG |          |

|   |               |       |    |
|---|---------------|-------|----|
| <h1>Amphenol Connex</h1>  |               |       |    |
| PART DESCRIPTION<br><b>1.0/2.3 R/A BULKHEAD PCB RECEPT. JACK (75 ohm)</b> |               |       |    |
| PART NO.<br><b>282139-75</b>  |               |       |    |
| DWG. NO.  | 282139-75.DWG | REV.  | A  |
| SIZE  | A             | SCALE | NA |

## X-ON Electronics

Largest Supplier of Electrical and Electronic Components

*Click to view similar products for [RF Connectors / Coaxial Connectors](#) category:*

*Click to view products by [Amphenol](#) manufacturer:*

Other Similar products are found below :

[8915-1511-000](#) [89674-0827](#) [6001-7071-019](#) [6002-7051-003](#) [6002-7551-202](#) [6059674-1](#) [619550-1](#) [630059-000](#) [M39030/3-01N](#) [M3933/25-36N](#) [6500-7071-046](#) [6769](#) [CX050L2AQ](#) [7002-1542-011](#) [7004-1512-000](#) [7009-1511-004](#) [7010-1511-000](#) [7029-1511-060](#) [7101-1541-010](#) [7101-1571-002](#) [7105-1521-002](#) [7145-1521-002](#) [7203-1571-003](#) [7209-1511-011](#) [7210-1511-015](#) [7210-1511-019](#) [73137-5015](#) [73216-2241](#) [7325-1512-000](#) [73404-2300](#) [7405-1521-005](#) [7405-1521-802](#) [7406-1521-005](#) [8527](#) [8547](#) [FS11V](#) [8808-1511-001](#) [9049-9513-000](#) [9074-9513-000](#) [9101-9573-002](#) [910A205F](#) [9130-9573-002](#) [PL11SC-026](#) [PL375-33](#) [PL40-5](#) [PL71-9](#) [PL74C-221](#) [PL75MC-217](#) [PL803-7](#) [980-8666-005](#)