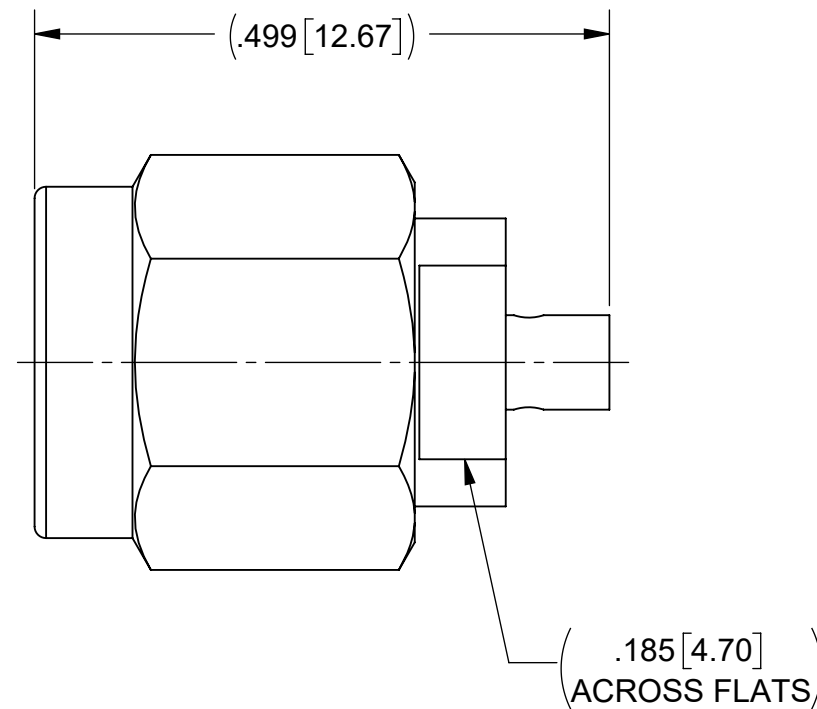
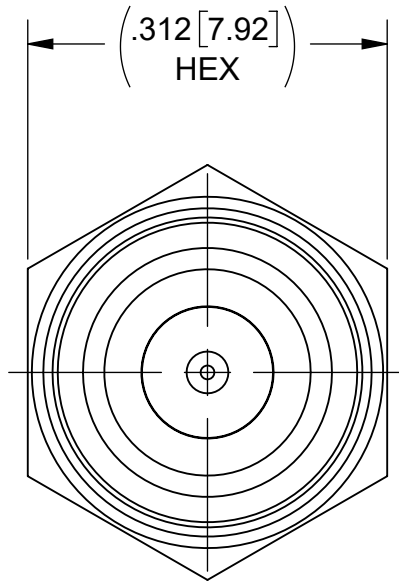
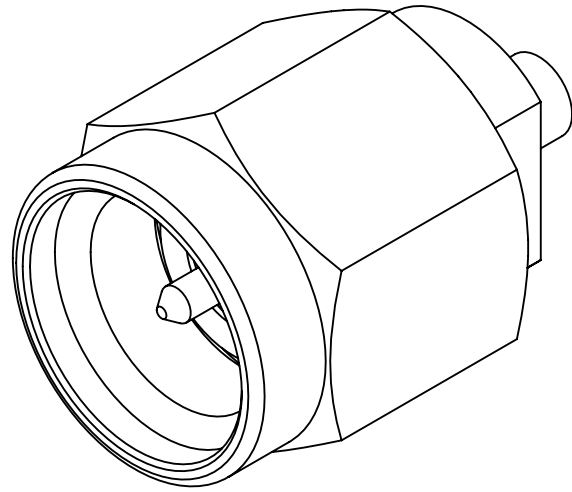


PRODUCT DATA DRAWING

REVISION HISTORY			
REV	DESCRIPTION	DATE	APPROVED
-	NRN 46678	04/22	SEE PDM
A	DCN 51540	04/22	
B	DCN 51622	05/22	



MATERIAL	
BODY, COUPLING NUT	ALUMINUM ALLOY
INSULATOR	PTFE
CONTACT, LOCK RING	BERYLLIUM COPPER
GASKET	VITON

FINISH	
CONTACT, BODY, COUPLING NUT	GOLD OVER NICKEL

MATERIAL:	SEE NOTES
FINISH:	SEE NOTES
SURFACE AREA:	N/A

DIMENSIONS ARE IN INCHES TOLERANCES:
 FRACTIONAL: ±1/64 ANGULAR: X° ±1'0"
 X°X' ±15'
 DECIMAL: X ±.030
 .XX ±.010
 .XXX ±.005
 INTERPRET DIMENSIONS AND TOLERANCES PER ASME Y14.5M - 1994

UNLESS OTHERWISE SPECIFIED
 1) ALL DIMENSIONS ARE IN INCHES (MILLIMETERS)
 2) ALL DIMENSIONS ARE AFTER PLATING.
 3) BREAK CORNERS & EDGES .005 R. MAX.
 4) CHAM. 1ST & LAST THREADS.
 5) SURFACE ROUGHNESS 63-MIL-STD-10.
 6) DIA: 'S ON COMMON CENTERS TO BE CONCENTRIC WITHIN .005 T.I.R.
 7) REMOVE ALL BURRS

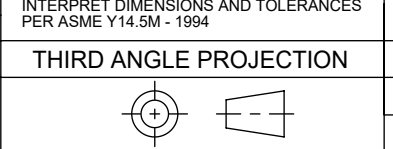
SV MICROWAVE Amphenol
 www.svmicrowave.com

TITLE:
SMA STR. M CONNECTOR FOR STANDARD FLEXTRA CABLE

SIZE DWG. NO.
B 2911-80001

PERFORMANCE	
IMPEDANCE	50 OHMS
FREQ. RANGE	DC TO 18.0 GHZ

PROPRIETARY
 THE INFORMATION CONTAINED IN THIS DRAWING IS THE SOLE PROPERTY OF SV MICROWAVE, INC. ANY REPRODUCTION IN PART OR AS A WHOLE WITHOUT THE WRITTEN PERMISSION OF SV MICROWAVE, INC IS PROHIBITED.



DRAWN: JPM 04/08/2022
 CHECKED: SEE PDM
 APPROVED: SEE PDM

X-ON Electronics

Largest Supplier of Electrical and Electronic Components

Click to view similar products for [RF Connectors / Coaxial Connectors](#) category:

Click to view products by [Amphenol](#) manufacturer:

Other Similar products are found below :

[89674-0827](#) [6059674-1](#) [630059-000](#) [6501-1071-002](#) [6769](#) [7002-1541-010](#) [7002-1572-002](#) [7004-1512-000](#) [7009-1511-004](#) [7101-1541-010](#)
[7101-1571-002](#) [7105-1521-002](#) [7203-1571-003](#) [7209-1511-011](#) [7210-1511-040](#) [7242-1511-000](#) [7405-1521-005](#) [7405-1521-802](#)
[804S01D04M040](#) [8527](#) [8547](#) [FS11V](#) [877931](#) [8808-1511-001](#) [9049-9513-000](#) [9074-9513-000](#) [PL11C-026](#) [PL40-36](#) [9408-1113-000](#) [980-](#)
[8666-005](#) [11 SMA-50-2-6 / 111 NE](#) [11 SMA-50-3-6 / 111 NE](#) [1-201144-1](#) [120919](#) [R107003010W](#) [R112186000](#) [R113053000W](#) [R113082097](#)
[R113236000](#) [R114083000](#) [R114670000W](#) [R123415000W](#) [R124076320](#) [R124076450](#) [R124175123](#) [R125075000W](#) [R125075001](#)
[R125172000W](#) [R125415030](#) [R141007161](#)