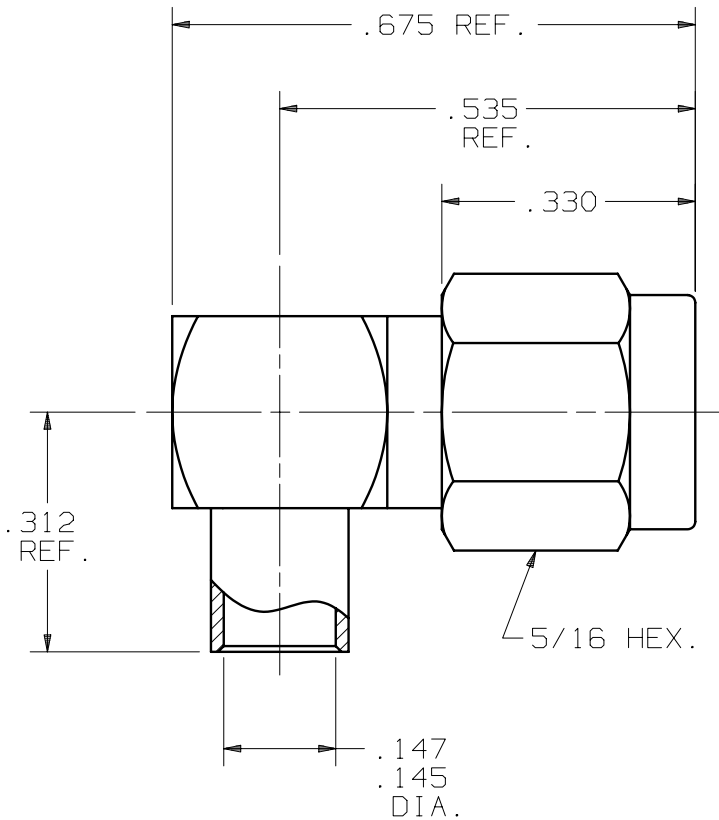


PRODUCT DATA DRAWING

CAD GENERATED DRAWING	DCN CONTROLLED DOCUMENT	DWG. NO. 2912-6001
-----------------------------	-------------------------------	---------------------------



MATERIAL:

BODY, FERRULE,
COUPLING NUT &
CAP: STAINLESS STEEL PER AMS-5640,
UNS S30300, TYPE I.

CONTACT: BRASS PER ASTM B 16, ALLOY
UNS C36000, H02.

LOCK RING: BERYLLIUM COPPER PER ASTM B 196,
ALLOY C17300, COND. TD04.

INSULATOR: TEFLON ASTM D 1710.

GASKET: SILICONE RUBBER PER A-A-59588.

FINISH:

BODY, FERRULE
& CAP: GOLD PER ASTM B 488, TYPE II,
GRADE C, CLASS .76 OVER NICKEL
PER SAE-AMS-QQ-N-290, CLASS 1,
.000100" MIN.

COUPLING NUT: GOLD PER ASTM B 488, TYPE I,
GRADE C, CLASS .51 OVER NICKEL
PER SAE-AMS-QQ-N-290, CLASS 1,
.000020" MIN.

CONTACT: GOLD PER ASTM B 488, TYPE II,
GRADE C, CLASS 1.27 OVER NICKEL
PER SAE-AMS-QQ-N-290, CLASS 1,
.000100" MIN.

IMPEDANCE: 50 OHMS
FREQ. RANGE: DC-12.4 GHz
D.W.V.: 1500 VRMS
INSUL. RES.: 5000 MEGOHMS MIN.

SYM.	DESCRIPTION	DATE	APPR.	UNLESS OTHERWISE SPECIFIED: 1) ALL DIMENSIONS ARE AFTER PLATING. 2) BREAK CORNERS & EDGES .005 R. MAX. 3) CHAM. 1st & LAST THDS. 4) SURFACE ROUGHNESS 63 / MIL-STD-10. 5) DIAS. ON COMMON CENTERS TO BE CONCENTRIC WITHIN .005 T.I.R. 6) REMOVE ALL BURRS.	DIMENSIONS ARE IN INCHES TOLERANCES: DECIMALS FRACTIONAL ANGULAR .X ±.030 .XX ±.015 ±1/64 X° ±1°0' .XXX ±.005 X°X' ±15'			TITLE: SMA, PLUG, RIGHT ANGLE SOLDER ON FOR .141 SEMI-RIGID	
B	REV. DCN F10201	10/85	ND		MATERIAL: SEE ABOVE				2400 Centrepark West Drive, Suite 100 West Palm Beach, FL 33409
C	REV. DCN 23364	04/97	JM		FINISH: SEE ABOVE	AREA: N/A			
D	REV. DCN 31477	05/04	STW		REDRAWN: BRT 4/04/97				
					CHECKED: CT 10/15/85	SIZE A	CAGE NO. 95077	SCALE 5X	DWG. NO. 2912-6001
					APPROVED: ND 10/16/85				

X-ON Electronics

Largest Supplier of Electrical and Electronic Components

Click to view similar products for [RF Connectors / Coaxial Connectors](#) category:

Click to view products by [Amphenol](#) manufacturer:

Other Similar products are found below :

[8915-1511-000](#) [89674-0827](#) [6001-7071-019](#) [6002-7051-003](#) [6002-7551-202](#) [6059674-1](#) [619550-1](#) [630059-000](#) [M39030/3-01N](#) [M3933/25-36N](#) [6500-7071-046](#) [6769](#) [CX050L2AQ](#) [7002-1542-011](#) [7004-1512-000](#) [7009-1511-004](#) [7010-1511-000](#) [7029-1511-060](#) [7101-1541-010](#) [7101-1571-002](#) [7105-1521-002](#) [7145-1521-002](#) [7203-1571-003](#) [7209-1511-011](#) [7210-1511-015](#) [7210-1511-019](#) [73137-5015](#) [73216-2241](#) [7325-1512-000](#) [73404-2300](#) [7405-1521-005](#) [7405-1521-802](#) [7406-1521-005](#) [8527](#) [8547](#) [FS11V](#) [8808-1511-001](#) [9049-9513-000](#) [9074-9513-000](#) [9101-9573-002](#) [910A205F](#) [9130-9573-002](#) [PL11SC-026](#) [PL375-33](#) [PL40-5](#) [PL71-9](#) [PL74C-221](#) [PL75MC-217](#) [PL803-7](#) [980-8666-005](#)