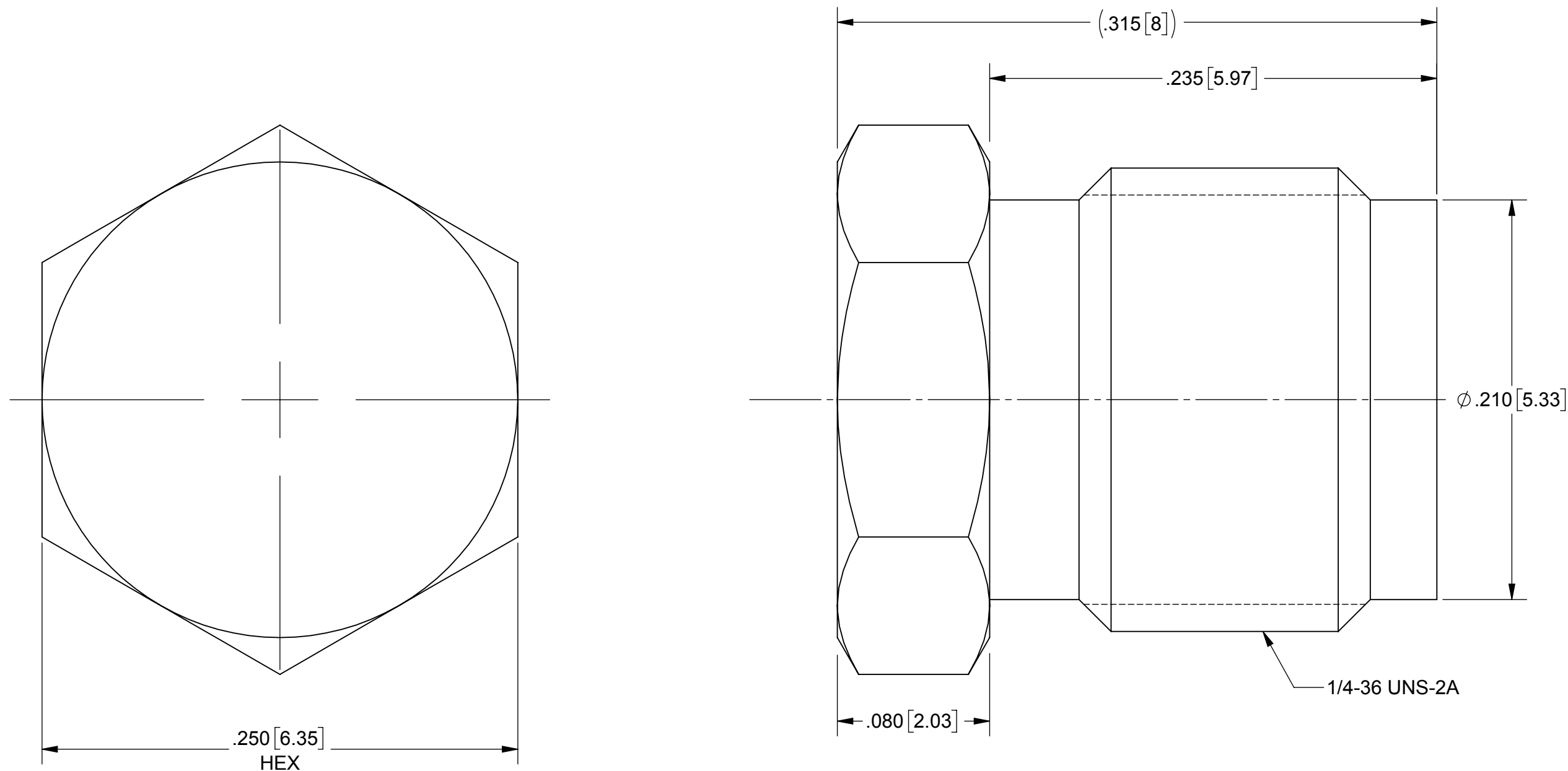


PRODUCT DATA DRAWING

REVISION HISTORY			
REV	DESCRIPTION	DATE	APPROVED
-	DCN 46637	07/17	GPF



MATERIAL:

BODY : STAINLESS STEEL PER AMS-5640, ALLOY UNS S30300, TYPE 1

FINISH:

BODY: GOLD PER ASTM B 488, TYPE I, CODE C, CLASS .50, OVER NICKEL PER AMS-QQ-N-290, CLASS 1, .00005" MIN.

MATERIAL: SEE NOTES	DIMENSIONS ARE IN INCHES TOLERANCES: FRACTIONAL: ±1/64 ANGULAR: X° ±1'0" X°X' ±15'	UNLESS OTHERWISE SPECIFIED 1) ALL DIMENSIONS ARE IN INCHES (MILLIMETERS) 2) ALL DIMENSIONS ARE AFTER PLATING. 3) BREAK CORNERS & EDGES .005 R. MAX. 4) CHAM. 1ST & LAST THREADS. 5) SURFACE ROUGHNESS 63 MIL-STD-10. 6) DIA.'S ON COMMON CENTERS TO BE CONCENTRIC WITHIN .004 T.I.R. 7) REMOVE ALL BURRS	 2400 Centrepark West Drive, Suite 100 West Palm Beach, FL 33409 TITLE: SMA FEMALE DUST CAP
FINISH: SEE NOTES	DECIMAL: X ±.030 .XX ±.010 .XXX ±.005	INTERPRET DIMENSIONS AND TOLERANCES PER ASME Y14.5M - 1994	
SURFACE AREA: N/A	THIRD ANGLE PROJECTION	DRAWN: VB 07/14/17	SIZE: B CAGE CODE: 95077 DWG. NO.: 2921-61408
PROPRIETARY THE INFORMATION CONTAINED IN THIS DRAWING IS THE SOLE PROPERTY OF SV MICROWAVE, INC. ANY REPRODUCTION IN PART OR AS A WHOLE WITHOUT THE WRITTEN PERMISSION OF SV MICROWAVE, INC IS PROHIBITED.		CHECKED: GPF 07/14/17	SCALE: 8:1
		APPROVED: GPF 07/14/17	SHEET 1 OF 1

X-ON Electronics

Largest Supplier of Electrical and Electronic Components

Click to view similar products for [RF Connector Accessories](#) category:

Click to view products by [Amphenol](#) manufacturer:

Other Similar products are found below :

[89674-0712](#) [F702RX24](#) [FERRULE-174](#) [R125802000](#) [R141802000](#) [R141805000](#) [R141842000](#) [R161844000](#) [R161862000](#) [R161862000W](#)
[R280752000](#) [R280907000](#) [R694261906](#) [RFI21-13](#) [RFI375-12-D3](#) [RFI75-13-D2](#) [RFI75-3](#) [RFI75-4-D2](#) [RFI97-13](#) [AX102906](#) [AX102907](#)
[18097-0013](#) [HP-375](#) [HP-500](#) [2098-0294-00](#) [2098-3251-94](#) [KA-81-05](#) [89674-0805](#) [RUBBER-CAP-BNC](#) [F1](#) [FERRULE-223](#) [202102-11](#)
[213337-1](#) [220222-2](#) [24092671A](#) [24092678A](#) [R161841000](#) [R280468000](#) [R280510000](#) [R282862060](#) [RFI155-1](#) [RFI25-12-D3](#) [RFI25-5](#)
[RFI25-5-D3](#) [RFI75-12-D2](#) [RFI75-2-D2](#) [RFI75-4-D3](#) [RFI77-6](#) [RFI97-14](#) [360HS001M2508M6](#)