

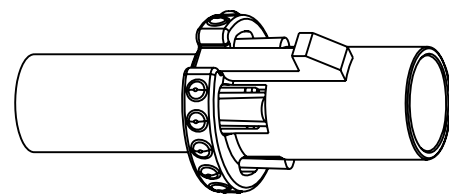
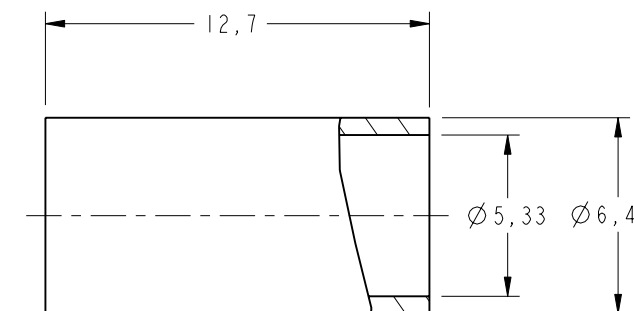
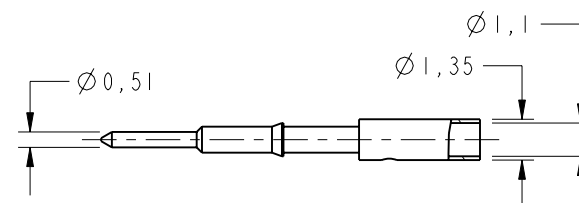
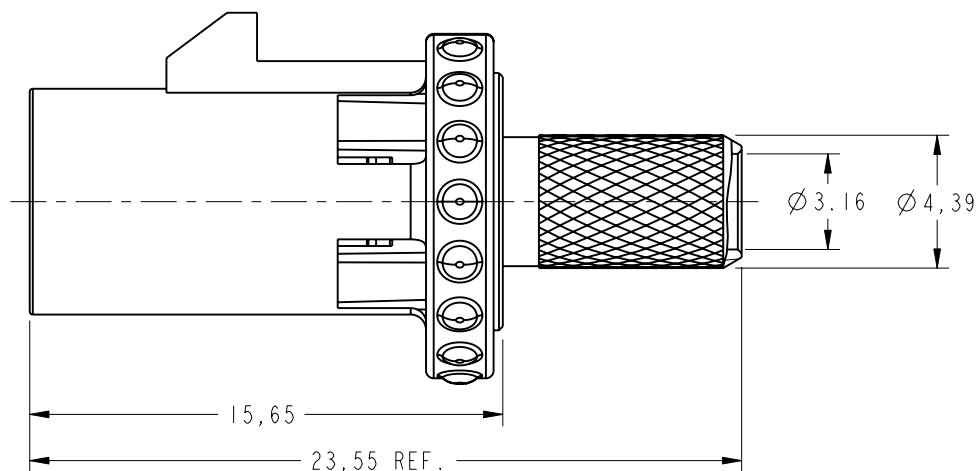
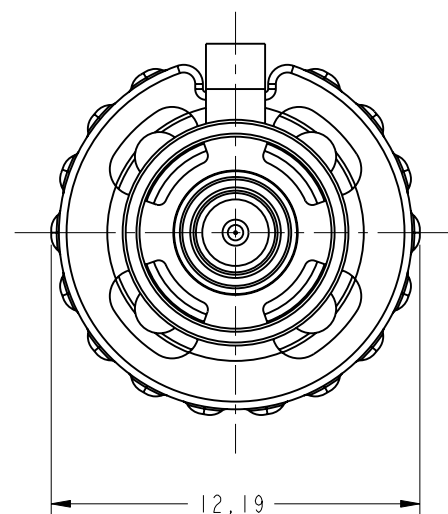
NOTES:

- MATERIALS AND FINISHES(PLATING THICKNESS IN MICRO-INCHES):
 BODY - ZINC DIECAST, NICKEL PL. (150 MIN/200MAX).THICK OVER COPPER PL. (100 MIN/200MAX)THICK
 CONTACT - BRASS, GOLD PL. 30 MIN. THICK OVER NICKEL PL. 100 MIN. THICK OVER NICKEL STRIKE
 INSULATOR - PTFE PER ASTM D1710
 FERRULE - NICKEL PL. 100 MIN.THICK OVER COPPER STRIKE
 HOUSING - NYLON 46,30% GLASS FILLED,COLOR PER TABLE
- ELECTRICAL:
 A. IMPEDANCE: 50 OHM
 B. VSWR: 1.180 (DC - 2.0 GHz); 1.222 (2.0 - 4.0 GHz).
- MECHANICAL:
 A. DURABILITY: 100 CYCLES MIN.
 B. TEMPERATURE RANGE: -65° C TO 165° C
- PACKAGING:
 A. QUANTITY: SINGLE PACK
 B. MARKING: BAG TO BE MARKED
 "AMPHENOL, 2FAI-NXSP-C04-1, AND DATE CODE"
- RECOMMENDED CABLE ASSEMBLY INSTRUCTIONS
 FOUND ON AMPHENOL SPEC. 349-50695

THIRD ANGLE PROJ.

REVISIONS

REV	DESCRIPTION	DATE	ECO	APPR
A	RELEASE TO MFG.	10/21/02	44201	MAH
F	A>UPDATED THE NOTES \RD-DM07120601E\ B>ADDED RECOMMENDED CABLE STRIPPING DIM'S C>ADDED SHEET 2 D>Ø 5.33 WAS: Ø 5.23 E>Ø 6.48 WAS: Ø 6.22	1/14/08	46864	BCG



SCALE 2.000

KEY CODE	ASSEMBLY PART #	COLOR	RAL NO
A	2FAI-NASP-C04-1	JET BLACK	9005
B	2FAI-NBSP-C04-1	CREAM	9001
C	2FAI-NCSP-C04-1	SIGNAL BLUE	5005
D	2FAI-NDSP-C04-1	CLARET VIOLET	4004
E	2FAI-NESP-C04-1	LEAF GREEN	6002
F	2FAI-NFSP-C04-1	NUT BROWN	8011
G	2FAI-NGSP-C04-1	BLUE GREY	7031
H	2FAI-NHSP-C04-1	HEATHER VIOLET	4003
I	2FAI-NISP-C04-1	BEIGE	1001
K	2FAI-NKSP-C04-1	CURRY	1027
L	2FAI-NLSP-C04-1	CARMINE RED	3002
M	2FAI-NMSP-C04-1	PASTEL ORANGE	2003
N	2FAI-NNSP-C04-1	PASTEL GREEN	6019
Z	2FAI-NZSP-C04-1	WATER BLUE	5021

METRIC DRAWING

CONFIGURATION CONTROL:
 NO CHANGES PERMITTED TO DRAWING WITHOUT
 PPAP QUALIFIED CUSTOMER APPROVAL

CUSTOMER OUTLINE DRAWING
 ALL OTHER SHEETS ARE FOR INTERNAL USE ONLY

UNLESS OTHERWISE SPECIFIED, DIMENSIONS ARE METRIC AND TOLERANCES ARE: 1 PLACE DECIMAL 2 PLACE DECIMAL ANGLES ± 0.3MM (.012") ± .10 MM (.004") ± 1°	MATERIAL	DRAWN	DATE	TITLE FAKRA STRAIGHT PLUG C04 CABLE GROUP (RG-58)		Amphenol RF Danbury CT USA, Tainan, Taiwan, Shenzhen, China www.amphenolrf.com		
	-	MIKE HOYACK	11-Sep-02					
NOTICE - These drawings, specifications, or other data (1) are, and remain the property of Amphenol corp. (2) must be returned upon request; and (3) are confidential and not to be disclosed to any person other than those to whom they are given by Amphenol Corp. the finishing of these drawings, specifications, or other data by Amphenol Corp., or to any other person to anyone for any purpose is not to be regarded by implication or otherwise in any manner licensing, granting rights to permitting such holder or any other sperson to manufacture, use or sell any product, process or design, patented or otherwise, that may in any way be related to or disclosed by said drawings, specifications, or other data.	REFERENCE	ENGINEER	DATE	SCALE: 4.0:1.0 SHEET 2 OF 2		DRAWING NO. 2FAI-NXSP-C04-1		
	EAR 533	MIKE HOYACK	11-Sep-02					
	GEN# ASSYM2_FAKRA	APPROVED	DATE	DWG SIZE CODE ID REV B 74868 F		ITEM NO. 2FAI-NXSP-C04-1		
	615X-1775-400	O.BARTHELMES	21-Oct-02					
KDC = KEY DESIGN CHARACTERISTICS	CAD FILE	I:\FAKRA\2FAI-NXSP-C04-1		PART NO. 2FAI-NXSP-C04-1				
FINISH								

X-ON Electronics

Largest Supplier of Electrical and Electronic Components

Click to view similar products for [RF Connectors / Coaxial Connectors](#) category:

Click to view products by [Amphenol](#) manufacturer:

Other Similar products are found below :

[8915-1511-000](#) [89674-0827](#) [6001-7071-019](#) [6002-7051-003](#) [6002-7551-202](#) [6059674-1](#) [619550-1](#) [630059-000](#) [M39030/3-01N](#) [M3933/25-36N](#) [6500-7071-046](#) [6769](#) [CX050L2AQ](#) [7002-1542-011](#) [7004-1512-000](#) [7009-1511-004](#) [7010-1511-000](#) [7029-1511-060](#) [7101-1541-010](#) [7101-1571-002](#) [7105-1521-002](#) [7145-1521-002](#) [7203-1571-003](#) [7209-1511-011](#) [7210-1511-015](#) [7210-1511-019](#) [73137-5015](#) [73216-2241](#) [7325-1512-000](#) [73404-2300](#) [7405-1521-005](#) [7405-1521-802](#) [7406-1521-005](#) [8527](#) [8547](#) [FS11V](#) [8808-1511-001](#) [9049-9513-000](#) [9074-9513-000](#) [9101-9573-002](#) [910A205F](#) [9130-9573-002](#) [PL11SC-026](#) [PL375-33](#) [PL40-5](#) [PL71-9](#) [PL74C-221](#) [PL75MC-217](#) [PL803-7](#) [980-8666-005](#)