

NOTES:

1. MATERIALS AND FINISHES (IN MICRO-INCHES):

- BODY = ZINC DIECAST PER ASTM B86, MATTE TIN PL. 100 MIN. THICK OVER NICKEL PL. 100 MIN. THICK OVER COPPER PL. (250 MIN./300 MAX.) THICK
- CONTACT = BRASS PER ASTM B16, GOLD PL. 30 MIN. THICK OVER NICKEL PL. 100 MIN. THICK OVER COPPER STRIKE
- INSULATOR = PTFE PER ASTM D1710, COLOR: NATURAL.
- HOUSING = NYLON 46, 30% GLASS FILLED, COLOR & KEYING PER DIN 72594-1 (SEE TABLE FOR KEY CODES & COLORS)

2. ELECTRICAL:

- A. IMPEDANCE: 50 OHM NOMINAL
- B. FREQUENCY RANGE: DC- 3.0 GHz
- C. VSWR(RETURN LOSS): 1.4(-15.6 dB), MAX.(DC-2 GHz)
(MATED PAIR) 1.5(-13.9 dB), MAX.(2-3 GHz)
- D. D.W.V.: 800 VRMS, MIN.

3. MECHANICAL:

- A. DURABILITY: 100 CYCLES MIN.
- B. TEMPERATURE RANGE: -40° C TO 125° C
- C. HOUSING RETENTION: 110N MIN. AXIAL

4. PACKAGING:

- A. TYPE: TAPE & REEL
- B. QUANTITY: 500/REEL
- C. PACKAGING MARKING: AMPHENOL RF
FKI251XX-021-TT30G-50
2FA1-NXSP-PCBA9
DATE CODE

5.  CENTER OF GRAVITY

6. INTERFACE DIMENSIONS MEET DIN 72594-1 AND USCAR-18.

CONFIGURATION CONTROL:
NO CHANGES PERMITTED TO DRAWING WITHOUT
PPAP QUALIFIED CUSTOMER APPROVAL

CODING	DRAWING NO.	PART NO.	COLOR	RAL NO.
A	FKI251AW-021-TT30G-50	2FA1-NASP-PCBA9	JET BLACK	9005
B	FKI251BW-021-TT30G-50	2FA1-NBSP-PCBA9	CREAM	9001
C	FKI251CW-021-TT30G-50	2FA1-NCSP-PCBA9	SIGNAL BLUE	5005
D	FKI251DW-021-TT30G-50	2FA1-NDSP-PCBA9	CLARET VIOLET	4004
E	FKI251EW-021-TT30G-50	2FA1-NESP-PCBA9	LEAF GREEN	6002
F	FKI251FW-021-TT30G-50	2FA1-NFSP-PCBA9	NUT BROWN	8011
G	FKI251GW-021-TT30G-50	2FA1-NGSP-PCBA9	BLUE GREY	7031
H	FKI251HW-021-TT30G-50	2FA1-NHSP-PCBA9	HEATHER VIOLET	4003
I	FKI251IW-021-TT30G-50	2FA1-NISP-PCBA9	BEIGE	1001
K	FKI251KW-021-TT30G-50	2FA1-NKSP-PCBA9	CURRY	1027
L	FKI251LW-021-TT30G-50	2FA1-NLSP-PCBA9	CARMINE RED	3002
M	FKI251MW-021-TT30G-50	2FA1-NMSP-PCBA9	PASTEL ORANGE	2003
N	FKI251NW-021-TT30G-50	2FA1-NNSP-PCBA9	PASTEL GREEN	6019
Z	FKI251ZW-021-TT30G-50	2FA1-NZSP-PCBA9	WATER BLUE	5021

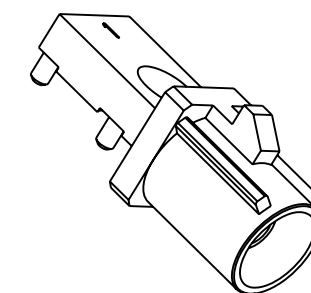
UNLESS OTHERWISE SPECIFIED, DIMENSIONS ARE IN METRIC AND TOLERANCES ARE:
 <0.5mm ±0.05mm 0.5 - 6mm ±0.1mm 6 - 30mm ±0.2mm 30 - 120mm ±0.3mm ANGLES ±1°

NOTICE - These drawings, specifications, or other data (1) are, and remain the property of Amphenol corp. (2) must be returned upon request; and (3) are confidential and not to be disclosed to any person other than those to whom they are given by Amphenol Corp. the furnishing of these drawings, specifications, or other data by Amphenol Corp., or to any other person to anyone for any purpose is not to be regarded by implication or otherwise in any manner licensing, granting rights to permitting such holder or any other person to manufacture, use or sell any product, process or design, patented or otherwise, that may in any way be related to or disclosed by said drawings, specifications, or other data.

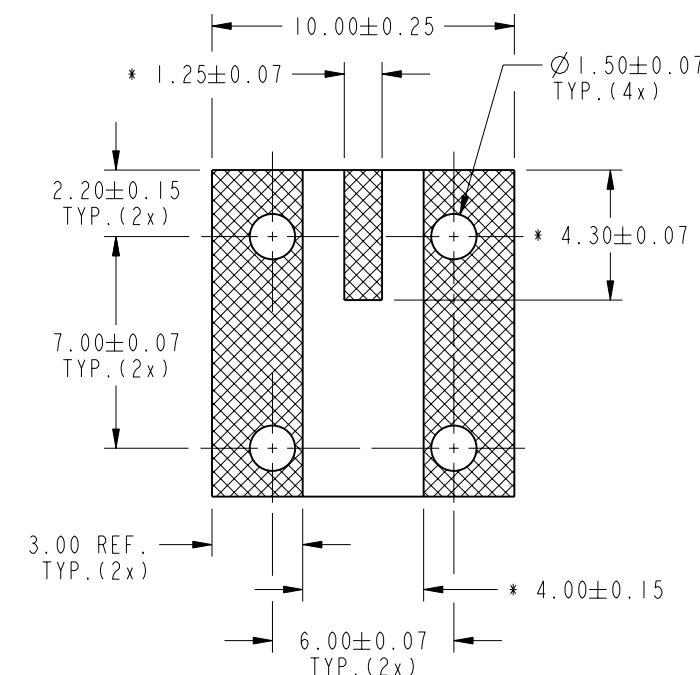
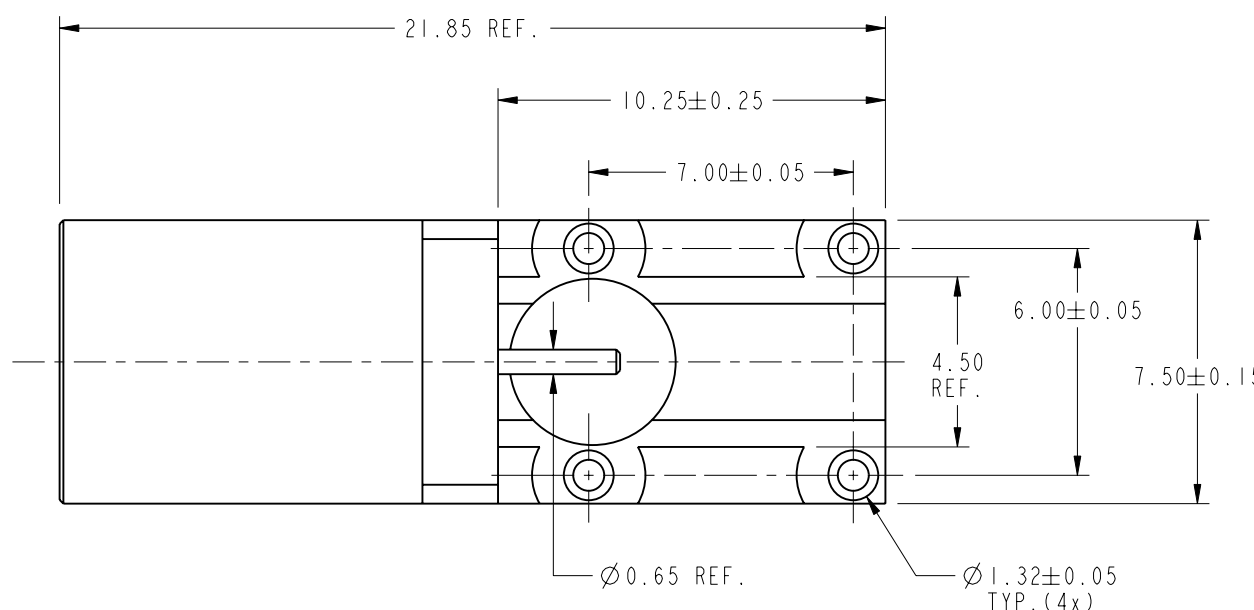
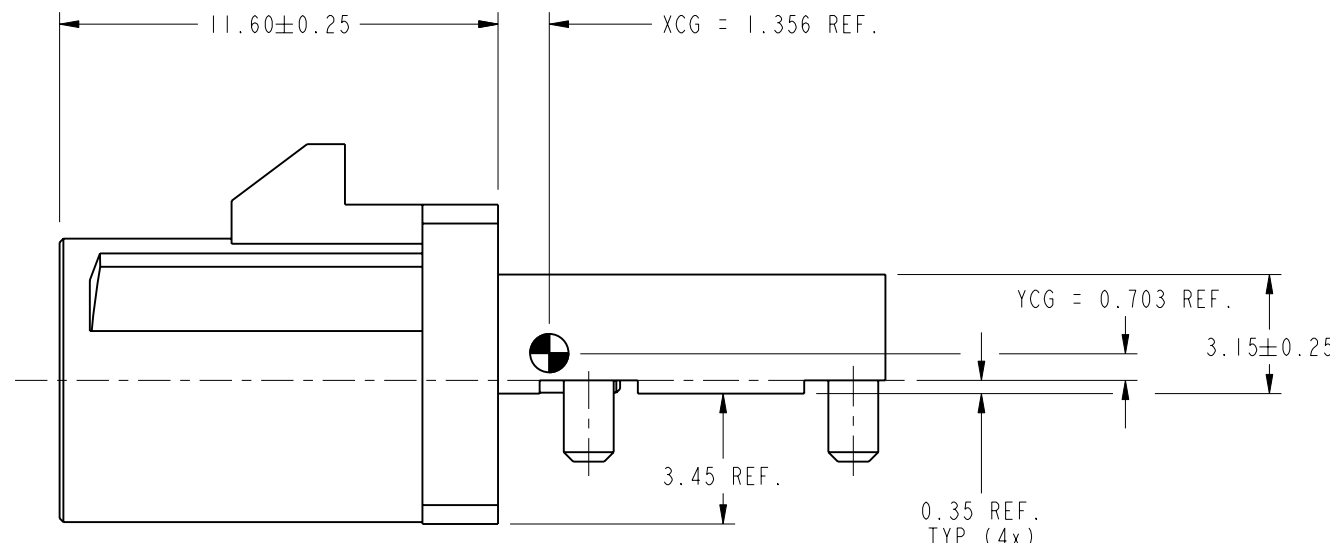
THIRD ANGLE PROJ. 

REVISIONS

REV	DESCRIPTION	DATE	ECO	APPR
A	RELEASE TO MFG	27-Apr-11	48564	SH



SCALE 2.000



RECOMMENDED PCB LAYOUT

* ADJUSTABLE FOR RF PERFORMANCE

CUSTOMER OUTLINE DRAWING

ALL OTHER SHEETS ARE FOR INTERNAL USE ONLY

MATERIAL	DRAWN B.C.GLEISSNER	DATE 15-Mar-11	TITLE FAKRA STRAIGH PLUG PIN & PASTE		Amphenol RF Danbury CT USA, Tainan, Taiwan, Shenzhen, China www.amphenolrf.com
REFERENCE EAR # 4642 AND 2FA1-WXSP-PCBA3	ENGINEER B.C.GLEISSNER	DATE 15-Mar-11	SCALE: 5.0:1.0 SHEET 2 OF 2		
CONFIGURATION LEVEL: ***	APPROVED S.HSIEH	DATE 27-Apr-11	DWG SIZE B	REV A	DRAWING NO. FKI251XX-021-TT30G-50
FINISH	I:\FAKRA\FKI251XX-021-TT30G-50				ITEM NO. FKI251AHX00TD5F
					PART NO. 2FA1-NXSP-PCBA9

X-ON Electronics

Largest Supplier of Electrical and Electronic Components

Click to view similar products for [RF Connectors / Coaxial Connectors](#) category:

Click to view products by [Amphenol](#) manufacturer:

Other Similar products are found below :

[8915-1511-000](#) [89674-0827](#) [6001-7071-019](#) [6002-7051-003](#) [6002-7551-202](#) [6059674-1](#) [619550-1](#) [630059-000](#) [M39030/3-01N](#) [M3933/25-36N](#) [6500-7071-046](#) [6769](#) [CX050L2AQ](#) [7002-1542-011](#) [7004-1512-000](#) [7009-1511-004](#) [7010-1511-000](#) [7029-1511-060](#) [7101-1541-010](#) [7101-1571-002](#) [7105-1521-002](#) [7145-1521-002](#) [7203-1571-003](#) [7209-1511-011](#) [7210-1511-015](#) [7210-1511-019](#) [73137-5015](#) [73216-2241](#) [7325-1512-000](#) [73404-2300](#) [7405-1521-005](#) [7405-1521-802](#) [7406-1521-005](#) [8527](#) [8547](#) [FS11V](#) [8808-1511-001](#) [9049-9513-000](#) [9074-9513-000](#) [9101-9573-002](#) [910A205F](#) [9130-9573-002](#) [PL11SC-026](#) [PL375-33](#) [PL40-5](#) [PL71-9](#) [PL74C-221](#) [PL75MC-217](#) [PL803-7](#) [980-8666-005](#)