

NOTES:

1. MATERIALS AND FINISHES:

- BODY - ZINC DIECAST PER ASTM B86, MATTE TIN PLATING (.000100 THICK MIN.)
- CONTACT - BRASS PER ASTM B16, GOLD PLATING (.000003 THICK MIN.)
- INSULATOR - PTFE PER ASTM D1710, COLOR: NATURAL
- HOUSING - PPA 33%GF, COLOR: PER TABLE

2. ELECTRICAL:

- A. IMPEDANCE: 50 OHM, NOMINAL
- B. FREQUENCY RANGE: DC - 3 GHz
- C. VSWR(RETURN LOSS): 1.2 (20.8 dB), MAX.
- D. D.W.V.: 800 VRMS, MIN.

3. MECHANICAL:

- A. DURABILITY: 100 CYCLES MIN.
- B. TEMPERATURE RANGE: -40° C TO +85° C
- C. SUITABLE FOR PICK AND PLACE AND SOLDER REFLOW PROCESSING PER AMPHENOL SPEC. 349-50712
- D. FAKRA INTERFACE PER DIN 72594-1

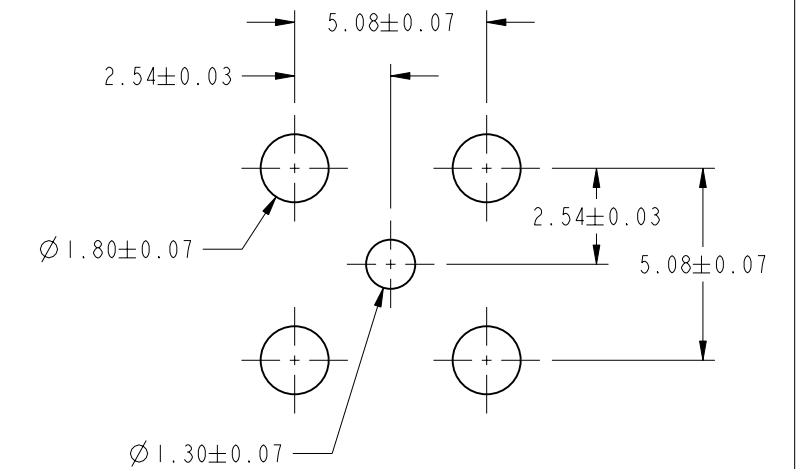
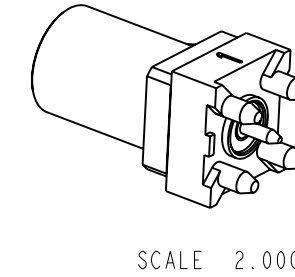
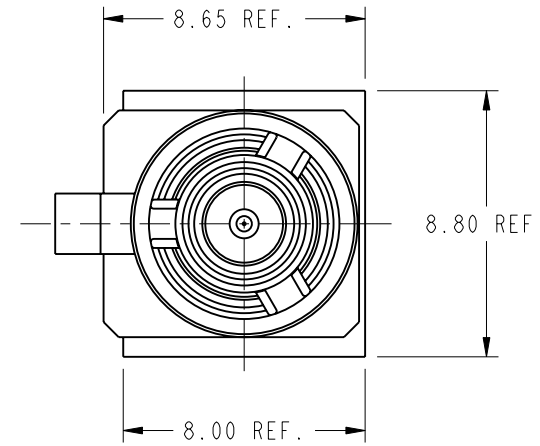
4. PACKAGING:

- A. QUANTITY: TRAY PACK
- B. MARKING: TRAY TO BE MARKED:  
"AMPHENOL RF, 2FAI-NXSP-PCBB6, AND DATE CODE"

THIRD ANGLE PROJ.

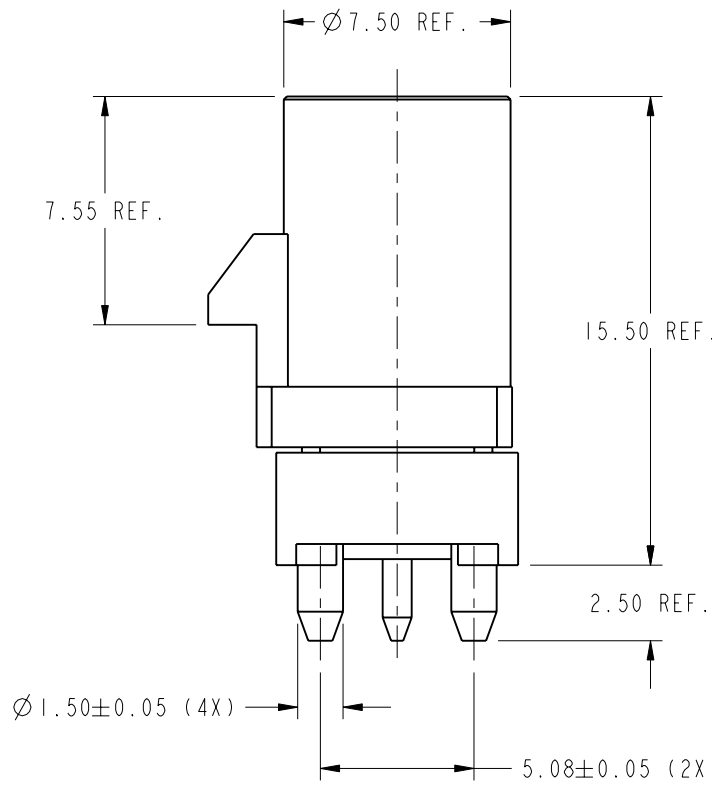
REVISIONS

REV	DESCRIPTION	DATE	ECO	APPR
A	RELEASE TO MFG.	03-Jul-14	50085	JY

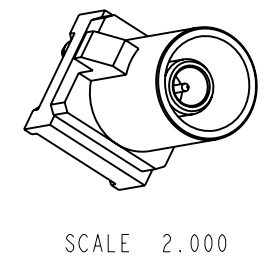
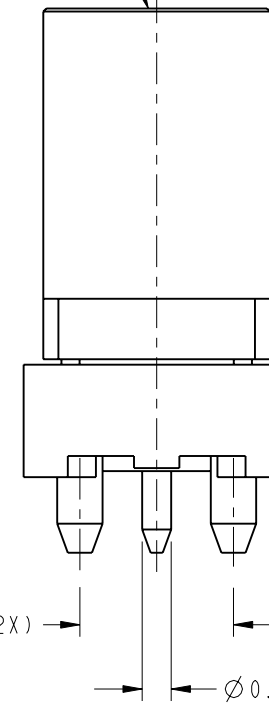


**RECOMMENDED PCB LAYOUT**

**CONFIGURATION CONTROL:  
NO CHANGES PERMITTED TO DRAWING WITHOUT  
PPAP QUALIFIED CUSTOMER APPROVAL**



FAKRA PLUG INTERFACE  
PER DIN 72594-1



**CUSTOMER OUTLINE DRAWING**

ALL OTHER SHEETS ARE FOR INTERNAL USE ONLY

CODING	PART NUMBER & DRAWING NUMBER	COLOR	RAL NO.
A	2FAI-NASP-PCBB6	JET BLACK	9005
B	2FAI-NBSP-PCBB6	CREAM	9001
C	2FAI-NCSP-PCBB6	SIGNAL BLUE	5005
D	2FAI-NDSP-PCBB6	CLARET VIOLET	4004
E	2FAI-NESP-PCBB6	LEAF GREEN	6002
F	2FAI-NFSP-PCBB6	NUT BROWN	8011
G	2FAI-NGSP-PCBB6	BLUE GREY	7031
H	2FAI-NHSP-PCBB6	HEATHER VIOLET	4003
I	2FAI-NISP-PCBB6	BEIGE	1001
K	2FAI-NKSP-PCBB6	CURRY	1027
L	2FAI-NLSP-PCBB6	CARMINE RED	3002
M	2FAI-NMSP-PCBB6	PASTEL ORANGE	2003
N	2FAI-NNSP-PCBB6	PASTEL GREEN	6019
Z	2FAI-NZSP-PCBB6	WATER BLUE	5021

UNLESS OTHERWISE SPECIFIED, DIMENSIONS ARE IN METRIC AND TOLERANCES ARE:  
 <0.5mm ±0.05mm    0.5 - 6mm ±0.1mm    6 - 30mm ±0.2mm    30 - 120mm ±0.3mm    ANGLES ±1°

NOTICE - These drawings, specifications, or other data (1) are, and remain the property of Amphenol corp. (2) must be returned upon request; and (3) are confidential and not to be disclosed to any person other than those to whom they are given by Amphenol Corp. the furnishing of these drawings, specifications, or other data by Amphenol Corp., or to any other person to anyone for any purpose is not to be regarded by implication or otherwise in any manner licensing, granting rights to permitting such holder or any other person to manufacture, use or sell any product, process or design, patented or otherwise, that may in any way be related to or disclosed by said drawings, specifications, or other data.

MATERIAL	DRAWN H. CHEN	DATE 03-Jul-14	TITLE FAKRA PCB PLUG	Amphenol RF Danbury CT USA, Tainan, Taiwan, Shenzhen, China www.amphenolrf.com
REFERENCE EAR05758 AND 2FAI-NXSP-PCBS7	ENGINEER J. YANG	DATE 03-Jul-14		
CONFIGURATION LEVEL:	APPROVED S. HSIEH	DATE 03-Jul-14	SCALE: 4.0:1.0	SHEET 2 OF 2
FINISH	CAD FILE		DWG SIZE B	REV A
			DRAWING NO. 2FAI-NXSP-PCBB6	
			ITEM NO. 2FAI-NXSP-PCBB6	
			PART NO. 2FAI-NXSP-PCBB6	

## X-ON Electronics

Largest Supplier of Electrical and Electronic Components

*Click to view similar products for [RF Connectors / Coaxial Connectors](#) category:*

*Click to view products by [Amphenol](#) manufacturer:*

Other Similar products are found below :

[8915-1511-000](#) [89674-0827](#) [6001-7071-019](#) [6002-7051-003](#) [6002-7551-202](#) [6059674-1](#) [619550-1](#) [630059-000](#) [M39030/3-01N](#) [M3933/25-36N](#) [6500-7071-046](#) [6769](#) [CX050L2AQ](#) [7002-1542-011](#) [7004-1512-000](#) [7009-1511-004](#) [7010-1511-000](#) [7029-1511-060](#) [7101-1541-010](#) [7101-1571-002](#) [7105-1521-002](#) [7145-1521-002](#) [7203-1571-003](#) [7209-1511-011](#) [7210-1511-015](#) [7210-1511-019](#) [73137-5015](#) [73216-2241](#) [7325-1512-000](#) [73404-2300](#) [7405-1521-005](#) [7405-1521-802](#) [7406-1521-005](#) [8527](#) [8547](#) [FS11V](#) [8808-1511-001](#) [9049-9513-000](#) [9074-9513-000](#) [9101-9573-002](#) [910A205F](#) [9130-9573-002](#) [PL11SC-026](#) [PL375-33](#) [PL40-5](#) [PL71-9](#) [PL74C-221](#) [PL75MC-217](#) [PL803-7](#) [980-8666-005](#)