

# 2M Series 801 Dual-Start Acme Threads

## General Information

### Page Guide

|                                  |         |
|----------------------------------|---------|
| Order .....                      | F-69    |
| Weight .....                     | F-70    |
| Plugs .....                      | F-71    |
| Jam Nut .....                    | F-72    |
| Square Flange .....              | F-73    |
| In-Line .....                    | F-74    |
| Jam Nut &<br>Sq. Flange .....    | F-75    |
| PCB Right Angle<br>Jam Nut ..... | F-76    |
| PCB Double Flange ..             | F-77    |
| Protection Caps .....            | F-78-80 |

## Amphenol's 2M Micro38999 Connector Series... The New Aerospace Standard

Averaging less than half the size and weight of their 38999 ancestors, Amphenol's 2M Micro38999 series are an easy and inexpensive way to take weight out of your system. 2M meet or exceed most environmental and performance requirements listed in MIL-DTL-38999, so modernizing your equipment doesn't mean sacrificing ruggedness. With almost 2,000,000 configurations in every termination style and a full complement of accessories available right out of the catalog, customization has never been easier. Smarter, faster and smaller: Amphenol's 2M... the only connector you'll ever need.

### 2M801 Features

- Heavy Dual-Start ACME Thread
- Most durable of the 2M series
- Up to 2,000 mating cycles
- Two Plug Styles
- Ratcheting Anti-Decoupling Plug
- Free-Spinning Plug



### Why 2M801?

2M801 is generally considered a legacy series and is mostly inactive for new designs. Its successor, the 2M805 series, has a number of important improvements, including a triple-start thread (which reduces the number of turns it takes to fully mate the connectors) and an EMI band (which increases shell-to-shell conductivity and greatly improves signal shielding). You should choose 2M801 if you're looking to maintain compatibility or interoperability with existing technology or cables.

2M801

#### 2M VS 38999

| SPECIFICATION               | 2M801   | MIL-DTL 38999                                 |
|-----------------------------|---|---|
| Signal Count                | 1 to 130                                      | 1 to 187                                      |
| Insulation Resistance       | 5,000 megaohms min                            | 5,000 megaohms min                            |
| Operating Temperature       | -65°C to +150°C                               | -65°C to +175°C                               |
| Shock                       | 300 G ± 15                                    | 300 G ± 15                                    |
| Vibration                   | "43.9 G Random<br>60.0 G Sine"                | "43.9 G Random<br>60.0 G Sine"                |
| Shielding Effectiveness     | "55 dB min. from<br>100 MHz to 1000 MHz"      | "50 dB min. from<br>100 MHz to 1000 MHz"      |
| Durability                  | 500 mating cycles                             | 500 mating cycles                             |
| Shell to Shell Conductivity | 2.5 mV drop max                               | 2.5 mV drop max                               |
| Contacts                    | Per AS39029                                   | Per AS39029                                   |
| Environmental Resistance    | IP67 (When Mated or<br>with a Protection Cap) | IP67 (When Mated or with a<br>Protection Cap) |

#### 2M801 MATERIALS AND FINISHES

|                                   |                                   |
|-----------------------------------|-----------------------------------|
| Shells                            | Aluminum Alloy or Stainless Steel |
| Contacts                          | Copper Alloy, gold plated         |
| Insulators                        | Polyphenylene Sulfide (PPS)       |
| Contact Retention                 | Beryllium Copper Alloy            |
| Grommet, Interfacial Seal, O-Ring | Fluorosilicone Rubber             |



F

# 2M801 Dual-Start ACME Threads

## Ordering Guide for 2M801



| 1.        | 2.          | 3.            | 4.                      | 5.       | 6.     |
|-----------|-------------|---------------|-------------------------|----------|--------|
| SERIES    | SHELL STYLE | SERVICE CLASS | SHELL SIZE-INSERT AGGMT | CONTACTS | KEYING |
| 2M801-007 | -01         | C             | 5-3                     | P        | A      |

| 1. SERIES |                                   |                                    |
|-----------|-----------------------------------|------------------------------------|
| Type      | Part #                            | Description                        |
| CRIMP     | <b>PLUG</b>                       |                                    |
|           | 2M801-007                         | Plug with Integral Backshell       |
|           | 2M801-008                         | Plug with Accessory Threads        |
|           | <b>RECEPTACLE</b>                 |                                    |
|           | 2M801-009                         | Receptacle with Integral Backshell |
| 2M801-010 | Receptacle with Accessory Threads |                                    |

| PCB/SOLDER |           |   |
|------------|-----------|---|
| Type       | Part #    | Description   |
| PCB/SOLDER | 2M801-011 | Receptacle for Solder Cup or PCB Termination with Epoxy Potting   |
|            | 2M801-033 | Receptacle with Solder Cup or PCB Termination with Special Sealing for Open Face (unmated) Water Immersion Requirements. 100% Leak Tested. To maintain a helium leak rate of 1-10 <sup>-4</sup> cc/sec. pressure differential from -55°C to 150° C. |
|            | 2M801-075 | Receptacle with Standoff Flange for Mechanical PCB Strain Relief  |

| RIGHT ANGLE PCB |           |                               |
|-----------------|-----------|-------------------------------|
| Type            | Part #    | Description                   |
|                 | 2M801-023 | Receptacle w/ Right Angle PCB |

| 2. SHELL STYLE    |   |
|-------------------|---|
| Part #            | Description                             |
| <b>PLUG</b>       |   |
| -16               | Anti-Decoupling                         |
| -26               | Self-Locking Ratchet                    |
| <b>RECEPTACLE</b> |   |
| -01               | In-Line**                               |
| -02               | Square Flange                           |
| -07               | Jam Nut                                 |
| <b>PCB/SOLDER</b> |   |
| -02               | Square Flange                           |
| -07               | Jam Nut*                                |
| -12               | Square Flange w/non-locking Clinch Nuts |
| -22               | Square Flange w/ locking Clinch Nuts    |

| RIGHT ANGLE PCB |             |
|-----------------|-------------|
| Part #          | Description |
| -07             | Jam Nut*    |

\*add "-501" as a suffix to the Jam Nut Part number to include a Hex Nut instead of a Spanner Nut.

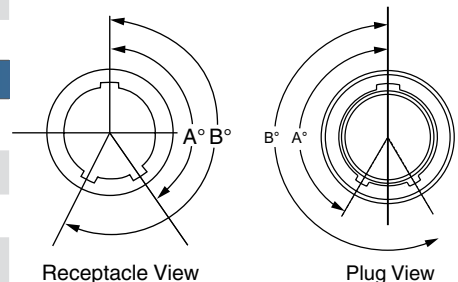
| 3. SERVICE CLASS |        |                           |      |
|------------------|--------|---------------------------|------|
| Material         | Part # | Description               | RoHS |
| ALUMINUM         | C      | Anodized (Non-conductive) |      |
|                  | M      | Electroless Nickel        |      |
|                  | NF     | Olive Drab Cadmium        |      |
|                  | MT     | Durmalon (Ni PTFE)        |      |
|                  | ZN     | Olive Drab Zinc Nickel    |      |
|                  | ZNU    | Black Zinc Nickel         |      |
|                  | BEN    | Black Electroless Nickel  |      |
| STAINLESS STEEL  | Z1     | Passivated                |      |
|                  | ZM     | Electroless Nickel        |      |

| 6. KEYING |      |      |
|-----------|------|------|
| Part #    | A°   | B°   |
| A         | 150° | 210° |
| B         | 75°  | 210° |
| C         | 95°  | 230° |
| D         | 140° | 275° |
| E         | 75°  | 275° |
| F         | 95°  | 210° |

### 4. SHELL SIZE-INSERT ARRANGEMENT

See Table on pages 7-20

| 5. CONTACTS       |        |                      |
|-------------------|--------|----------------------|
| Style             | Part # | Description          |
| CRIMP             | P      | Pin                  |
|                   | S      | Socket               |
|                   | A      | Pin-Less Contacts    |
|                   | B      | Socket-Less Contacts |
| <b>PCB/SOLDER</b> |        |                      |
| PCB/SOLDER        | P      | Pin-PCB              |
|                   | S      | Socket-PCB           |
|                   | E      | Pin-Solder Cup       |
|                   | F      | Socket-Solder Cup    |



For additional assistance building a part number and for 3D models, please visit [www.amphenol-aerospace.com](http://www.amphenol-aerospace.com) to access our 2M configurator.

# 2M Series 801 Dual-Start Acme Threads

## Connector Weights

SERIES 2M801 MAXIMUM CONNECTOR WEIGHT IN GRAMS

| Insert Arrg. | Plug | Jam Nut Recept. Crimp | Jam Nut Recept. PCB | Sq. Flange Recept. Crimp | Sq. Flange Recept. PCB | Insert Arrg. | Plug | Jam Nut Recept. Crimp | Jam Nut Recept. PCB | Sq. Flange Recept. Crimp | Sq. Flange Recept. PCB |
|--------------|------|-----------------------|---------------------|--------------------------|------------------------|--------------|------|-----------------------|---------------------|--------------------------|------------------------|
| 5-3P         | 4.4  | 3.4                   | 3.6                 | 2.0                      | 2.2                    | 10-201S      | 16.7 | 13.5                  | 14.4                | 15.0                     | 11.7                   |
| 5-3S         | 4.5  | 3.5                   | 3.7                 | 2.0                      | 2.4                    | 10-202P      | 14.9 | 11.7                  | 12.6                | 13.2                     | 9.9                    |
| 6-1P         | 5.6  | 4.3                   | 4.6                 | 2.7                      | 2.9                    | 10-202S      | 16.3 | 13.1                  | 14.0                | 14.6                     | 11.3                   |
| 6-1S         | 5.9  | 4.6                   | 4.9                 | 3.0                      | 3.2                    | 13-2P        | 18.9 | 17.2                  | 17.2                | 17.2                     | 15.1                   |
| 6-4P         | 5.6  | 4.3                   | 4.6                 | 2.7                      | 2.9                    | 13-2S        | 20.4 | 18.7                  | 18.7                | 18.7                     | 16.6                   |
| 6-4S         | 5.8  | 4.5                   | 4.7                 | 2.8                      | 3.0                    | 13-3P        | 19.8 | 18.1                  | 18.1                | 18.1                     | 16.0                   |
| 6-7P         | 5.4  | 4.1                   | 4.6                 | 2.9                      | 3.4                    | 13-3S        | 21.4 | 19.7                  | 19.7                | 19.7                     | 17.6                   |
| 6-7S         | 5.6  | 4.4                   | 4.7                 | 3.2                      | 3.5                    | 13-7P        | 20.0 | 18.3                  | 18.3                | 18.3                     | 16.2                   |
| 7-1P         | 7.8  | 6.5                   | 7.2                 | 4.5                      | 5.2                    | 13-7S        | 22.4 | 20.7                  | 20.7                | 20.7                     | 18.6                   |
| 7-1S         | 8.3  | 7.0                   | 7.7                 | 5.0                      | 5.7                    | 13-37P       | 18.4 | 16.7                  | 16.7                | 16.7                     | 14.6                   |
| 7-10P        | 7.6  | 6.3                   | 7.7                 | 4.3                      | 5.0                    | 13-37S       | 19.9 | 17.6                  | 17.6                | 17.6                     | 15.5                   |
| 7-10S        | 8.0  | 6.7                   | 7.0                 | 4.7                      | 5.2                    | 13-200P      | 19.0 | 17.3                  | 17.3                | 17.3                     | 15.2                   |
| 8-2P         | 8.9  | 7.7                   | 7.2                 | 5.6                      | 6.8                    | 13-200S      | 21.1 | 19.4                  | 19.4                | 19.4                     | 17.3                   |
| 8-2S         | 9.6  | 8.4                   | 8.7                 | 6.3                      | 7.5                    | 13-201P      | 19.1 | 17.4                  | 17.4                | 17.4                     | 15.3                   |
| 8-13P        | 8.3  | 7.1                   | 9.4                 | 5.0                      | 6.2                    | 13-201S      | 21.3 | 19.6                  | 19.6                | 19.6                     | 17.5                   |
| 8-13S        | 8.9  | 7.6                   | 8.1                 | 5.6                      | 6.5                    | 16-5P        | 28.5 | 22.6                  | 24.4                | 25.4                     | 23.0                   |
| 8-200P       | 9.2  | 8.0                   | 8.5                 | 5.9                      | 7.1                    | 16-5S        | 31.2 | 25.3                  | 28.1                | 28.1                     | 25.7                   |
| 8-200S       | 9.8  | 8.6                   | 9.0                 | 6.5                      | 7.7                    | 16-12P       | 29.2 | 23.3                  | 26.1                | 26.1                     | 23.7                   |
| 9-4P         | 10.9 | 8.7                   | 10.7                | 7.6                      | 8.6                    | 16-12S       | 32.5 | 26.6                  | 29.4                | 29.4                     | 27.0                   |
| 9-4S         | 11.8 | 10.6                  | 11.6                | 8.5                      | 9.5                    | 16-55P       | 26.5 | 20.6                  | 24.3                | 24.3                     | 21.9                   |
| 9-19P        | 10.1 | 7.9                   | 9.2                 | 5.8                      | 7.1                    | 16-55S       | 29.2 | 23.3                  | 26.1                | 26.1                     | 23.7                   |
| 9-19S        | 10.9 | 8.7                   | 9.7                 | 6.6                      | 7.6                    | 17-7P        | 29.8 | 27.0                  | 29.4                | 29.4                     | 25.2                   |
| 9-200P       | 10.4 | 9.2                   | 10.2                | 7.1                      | 8.1                    | 17-7S        | 33.0 | 30.2                  | 32.6                | 32.6                     | 28.4                   |
| 9-200S       | 11.4 | 10.2                  | 11.2                | 8.1                      | 9.1                    | 17-14P       | 32.6 | 29.8                  | 32.2                | 32.2                     | 28.0                   |
| 9-201P       | 9.6  | 8.4                   | 9.4                 | 6.6                      | 7.6                    | 17-14S       | 32.3 | 29.5                  | 31.9                | 31.9                     | 27.7                   |
| 9-201S       | 11.5 | 10.3                  | 11.3                | 8.2                      | 9.2                    | 17-85P       | 28.1 | 23.2                  | 29.0                | 29.0                     | 25.3                   |
| 10-5P        | 15.8 | 12.6                  | 13.5                | 14.1                     | 12.8                   | 17-85S       | 31.0 | 26.2                  | 30.6                | 30.6                     | 26.4                   |
| 10-5S        | 17.1 | 13.9                  | 14.8                | 15.4                     | 14.1                   | 21-12P       | 35.0 | 31.4                  | 34.4                | 26.4                     | 31.4                   |
| 10-26P       | 14.2 | 11.0                  | 11.9                | 12.5                     | 8.7                    | 21-12S       | 39.6 | 36.0                  | 39.0                | 31.0                     | 36.0                   |
| 10-26S       | 15.3 | 12.1                  | 12.5                | 16.7                     | 9.2                    | 21-22P       | 37.3 | 33.7                  | 36.7                | 28.7                     | 33.7                   |
| 10-200P      | 15.0 | 11.8                  | 12.7                | 13.3                     | 10.0                   | 21-22S       | 43.6 | 40.0                  | 43.0                | 35.0                     | 40.0                   |
| 10-200S      | 16.3 | 13.1                  | 14.0                | 14.6                     | 11.3                   | 21-130P      | 32.9 | 29.3                  | 32.3                | 24.3                     | 29.3                   |
| 10-201P      | 15.3 | 12.1                  | 13.3                | 13.6                     | 10.3                   | 21-130S      | 39.4 | 35.8                  | 38.8                | 30.8                     | 35.8                   |

2M801

F

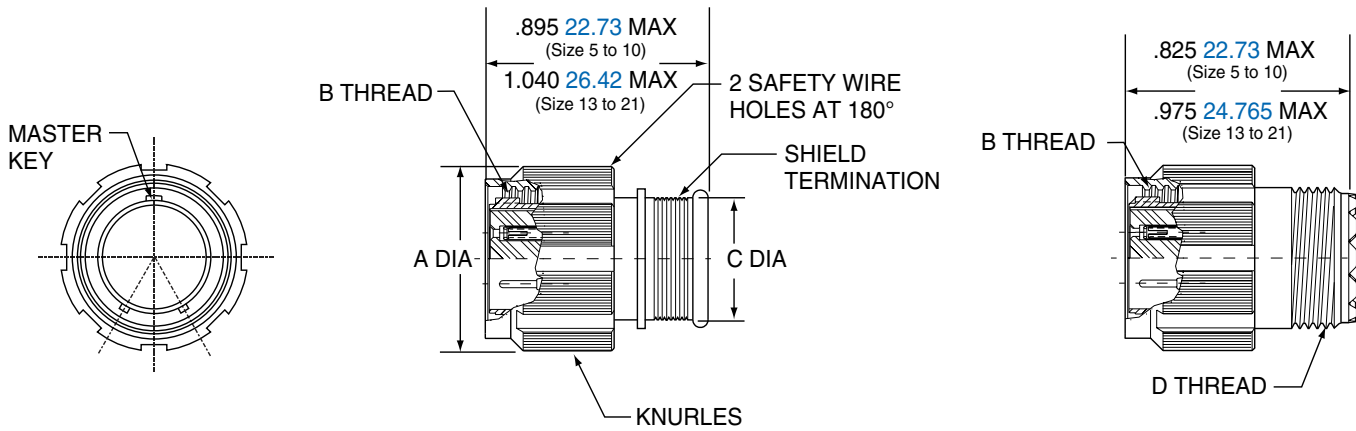
# 2M801 Dual-Start ACME Threads Plug

## 2M801-007 and 2M801-008



2M801-007-16  
2M801-007-26

2M801-008-16  
2M801-008-26



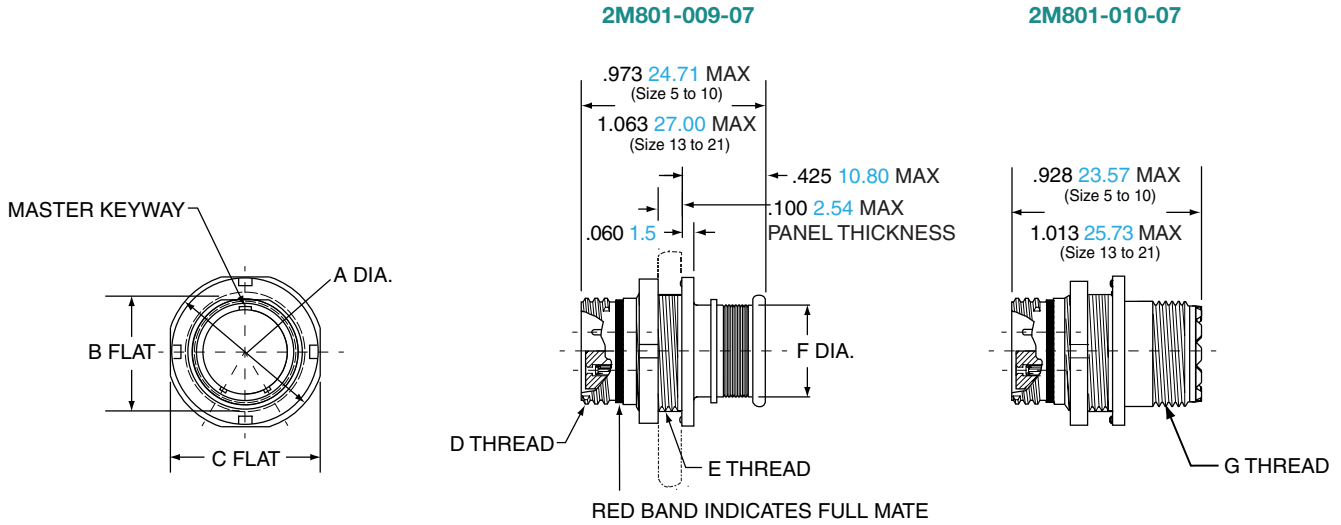
| Shell Size | Style 16 |       | Style 26 |       | B Thread          | C Dia. |       | D Thread UNEF-2A |
|------------|----------|-------|----------|-------|-------------------|--------|-------|------------------|
|            | A Dia.   |       | A Dia.   |       |                   | in.    | mm.   |                  |
|            | in.      | mm.   | in.      | mm.   |                   |        |       |                  |
| 5          | .545     | 13.84 | .660     | 16.76 | .3125-.05P-.1L-2B | .245   | 6.22  | .2500-32         |
| 6          | .610     | 15.49 | .710     | 18.03 | .3750-.05P-.1L-2B | .290   | 7.37  | .3125-32         |
| 7          | .695     | 17.65 | .790     | 20.07 | .4375-.05P-.1L-2B | .390   | 9.91  | .4375-28         |
| 8          | .750     | 19.05 | .860     | 21.84 | .5000-.05P-.1L-2B | .445   | 11.30 | .5000-28         |
| 9          | .810     | 20.57 | .920     | 23.37 | .5625-.05P-.1L-2B | .500   | 12.70 | .5625-24         |
| 10         | .890     | 22.61 | .985     | 25.02 | .6250-.05P-.1L-2B | .560   | 14.22 | .6250-24         |
| 13         | 1.060    | 26.92 | 1.150    | 29.21 | .8125-.1P-.2L-2B  | .650   | 16.51 | .6875-24         |
| 16         | 1.250    | 31.75 | 1.345    | 34.16 | 1.0000-.1P-.2L-2B | .805   | 20.45 | .9375-20         |
| 17         | 1.310    | 33.27 | 1.400    | 35.56 | 1.0625-.1P-.2L-2B | .850   | 21.59 | .9375-20         |
| 21         | 1.560    | 39.62 | 1.660    | 42.16 | 1.3125-.1P-.2L-2B | 1.135  | 28.83 | 1.1875-18        |

2M801

F

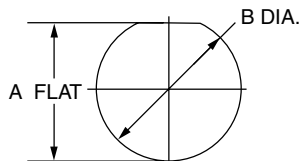
# 2M801 Dual-Start ACME Threads Jam Nut

## 2M801-009-07 and 2M801-010-07

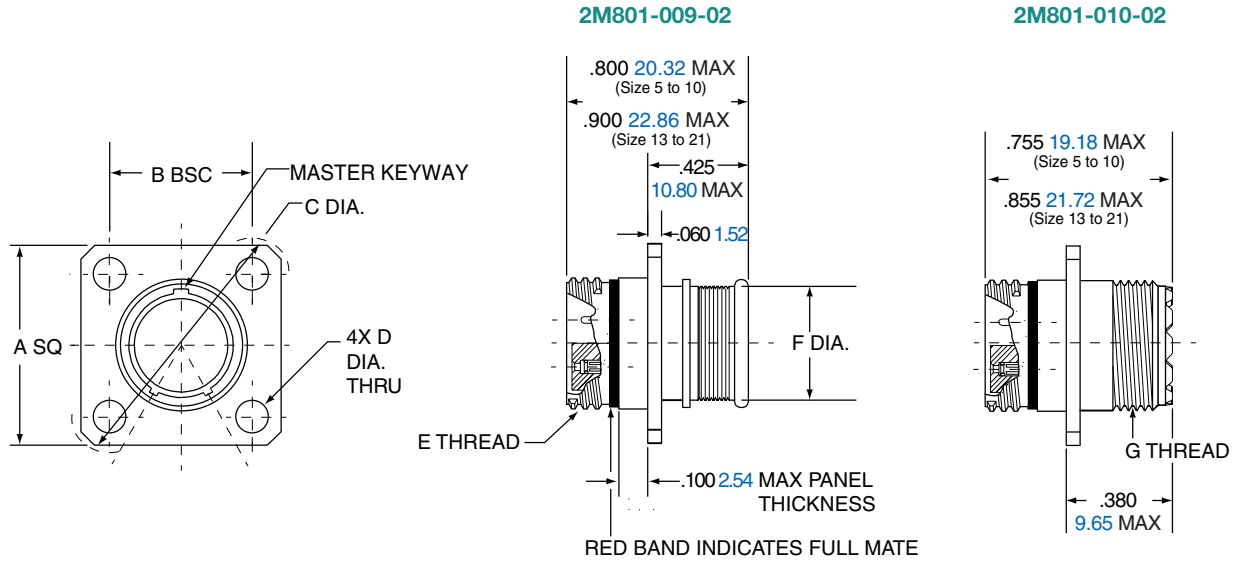


| Shell Size | A Dia. |       | B Flat |       | C Flat |       | D Thread          | E Thread         | F Dia. |       | G Thread UNEF-2A |
|------------|--------|-------|--------|-------|--------|-------|-------------------|------------------|--------|-------|------------------|
|            | in.    | mm.   | in.    | mm.   | in.    | mm.   |                   |                  | in.    | mm.   |                  |
| 5          | .575   | 14.61 | .350   | 8.89  | .545   | 13.84 | .3125-.05P-.1L-2A | .3750-28 UN-2A   | .245   | 6.22  | .2500-32         |
| 6          | .635   | 16.13 | .410   | 10.41 | .595   | 15.11 | .3750-.05P-.1L-2A | .4375-28 UNEF-2A | .290   | 7.37  | .3125-32         |
| 7          | .755   | 19.18 | .536   | 13.61 | .723   | 18.36 | .4375-.05P-.1L-2A | .5625-32 UN-2A   | .390   | 9.91  | .4375-28         |
| 8          | .755   | 19.18 | .536   | 13.61 | .723   | 18.36 | .5000-.05P-.1L-2A | .5625-32 UN-2A   | .445   | 11.30 | .5000-28         |
| 9          | .830   | 21.08 | .596   | 15.14 | .790   | 20.07 | .5625-.05P-.1L-2A | .6250-28 UN-2A   | .500   | 12.70 | .5625-24         |
| 10         | .890   | 22.61 | .658   | 16.71 | .855   | 21.72 | .6250-.05P-.1L-2A | .6875-28 UN-2A   | .560   | 14.22 | .6250-24         |
| 13         | 1.078  | 27.38 | .845   | 21.46 | 1.044  | 26.52 | .8125-.1P-.2L-2A  | .8750-28 UN-2A   | .650   | 16.51 | .6875-24         |
| 16         | 1.264  | 32.11 | 1.022  | 25.96 | 1.230  | 31.24 | 1.0000-.1P-.2L-2A | 1.0625-20 UN-2A  | .805   | 20.45 | .9375-20         |
| 17         | 1.325  | 33.66 | 1.096  | 27.84 | 1.290  | 32.77 | 1.0625-.1P-.2L-2A | 1.125-28 UN-2A   | .850   | 21.59 | .9375-20         |
| 21         | 1.625  | 41.28 | 1.347  | 34.16 | 1.577  | 40.06 | 1.3125-.1P-.2L-2A | 1.375-28 UN-2A   | 1.135  | 28.83 | 1.1875-18        |

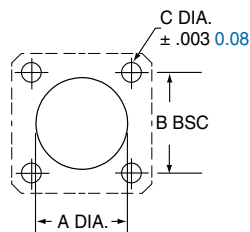
| JAM NUT PANEL CUTOUT |               |               |               |               |
|----------------------|---------------|---------------|---------------|---------------|
| Shell Size           | A Flat        |               | B Dia.        |               |
|                      | in.<br>± .002 | mm.<br>± 0.05 | in.<br>± .002 | mm.<br>± 0.05 |
| 5                    | .356          | 9.04          | .385          | 9.78          |
| 6                    | .416          | 10.57         | .447          | 11.35         |
| 7                    | .542          | 13.77         | .572          | 14.53         |
| 8                    | .542          | 13.77         | .572          | 14.53         |
| 9                    | .602          | 15.29         | .635          | 16.13         |
| 10                   | .666          | 16.62         | .697          | 17.70         |
| 13                   | .851          | 21.62         | .885          | 22.48         |
| 16                   | 1.028         | 26.11         | 1.075         | 27.31         |
| 17                   | 1.102         | 27.99         | 1.135         | 28.83         |
| 21                   | 1.354         | 34.39         | 1.385         | 35.18         |



# 2M801 Dual-Start ACME Threads Square Flange Receptacle 2M801-009-02 and 2M801-010-02



| Shell Size | A     |       | B BSC |       | C Dia. |       | D Dia.     |           | E Thread          | F Dia. |       | G Thread UNEF-2A |
|------------|-------|-------|-------|-------|--------|-------|------------|-----------|-------------------|--------|-------|------------------|
|            | in.   | mm.   | in.   | mm.   | in.    | mm.   | in. ± .003 | mm. ± .08 |                   | in.    | mm.   |                  |
| 5          | .530  | 13.46 | .363  | 9.22  | .680   | 17.27 | .093       | 2.36      | .3125-.05P-.1L-2A | .245   | 6.22  | .2500-32         |
| 6          | .590  | 14.99 | .423  | 10.74 | .750   | 19.05 | .093       | 2.36      | .3750-.05P-.1L-2A | .290   | 7.37  | .3125-32         |
| 7          | .650  | 16.51 | .483  | 12.27 | .850   | 21.59 | .093       | 2.36      | .4375-.05P-.1L-2A | .390   | 9.91  | .4375-28         |
| 8          | .712  | 18.08 | .545  | 13.84 | .940   | 23.88 | .093       | 2.36      | .5000-.05P-.1L-2A | .445   | 11.30 | .5000-28         |
| 9          | .850  | 21.59 | .607  | 15.42 | 1.125  | 28.58 | .128       | 3.25      | .5625-.05P-.1L-2A | .500   | 12.70 | .5625-24         |
| 10         | .890  | 22.61 | .670  | 17.02 | 1.190  | 30.23 | .128       | 3.25      | .6250-.05P-.1L-2A | .560   | 14.22 | .6250-24         |
| 13         | 1.030 | 26.16 | .812  | 20.62 | 1.375  | 34.93 | .128       | 3.25      | .8125-.1P-.2L-2A  | .650   | 16.51 | .6875-24         |
| 16         | 1.219 | 30.96 | .981  | 24.92 | 1.625  | 41.28 | .128       | 3.25      | 1.0000-.1P-.2L-2A | .805   | 20.45 | .9375-20         |
| 17         | 1.280 | 32.51 | 1.060 | 26.92 | 1.700  | 43.18 | .128       | 3.25      | 1.0625-.1P-.2L-2A | .850   | 21.59 | .9375-20         |
| 21         | 1.430 | 36.32 | 1.205 | 30.61 | 1.940  | 49.28 | .128       | 3.25      | 1.3125-.1P-.2L-2A | 1.135  | 28.83 | 1.1875-18        |

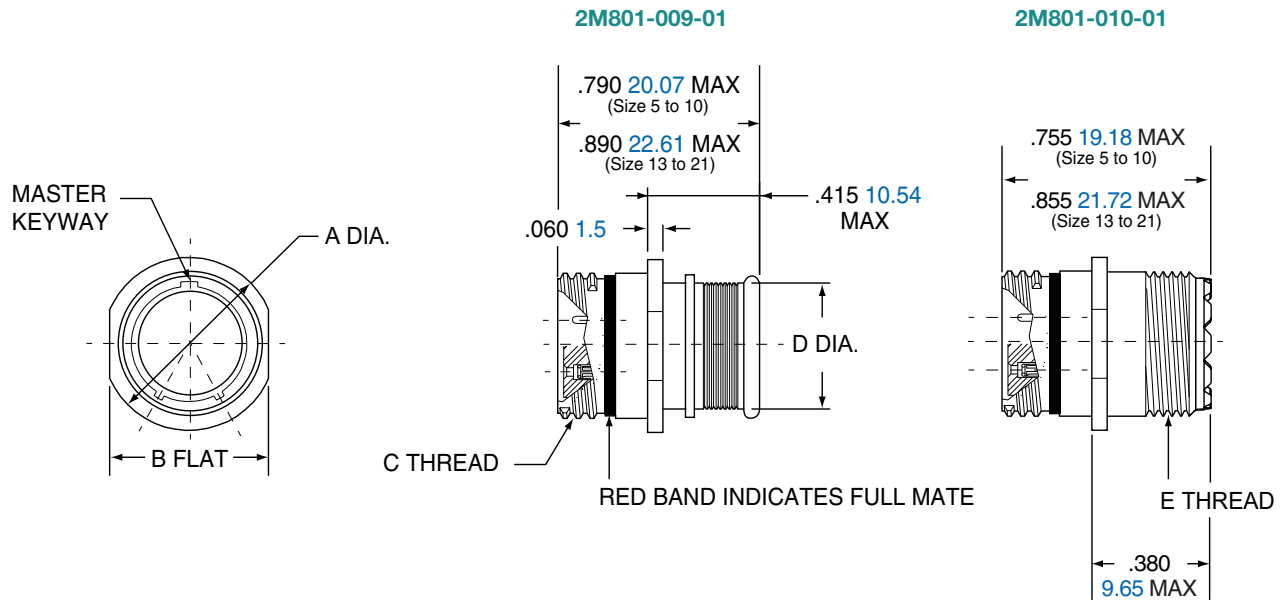


## PANEL CUTOUT

| Shell Size | A Dia. |       | B Dia. |       | C Dia. |      |
|------------|--------|-------|--------|-------|--------|------|
|            | in.    | mm.   | in.    | mm.   | in.    | mm.  |
| 5          | .330   | 8.38  | .363   | 9.22  | .093   | 2.36 |
| 6          | .390   | 9.91  | .423   | 10.74 | .093   | 2.36 |
| 7          | .450   | 11.43 | .483   | 12.27 | .093   | 2.36 |
| 8          | .510   | 12.95 | .545   | 13.84 | .093   | 2.36 |
| 9          | .575   | 14.61 | .607   | 15.42 | .128   | 3.25 |
| 10         | .640   | 16.26 | .670   | 17.02 | .128   | 3.25 |
| 13         | .825   | 20.96 | .812   | 20.65 | .128   | 3.25 |
| 16         | 1.015  | 25.78 | .981   | 24.92 | .128   | 3.25 |
| 17         | 1.075  | 27.31 | 1.060  | 26.92 | .128   | 3.25 |
| 21         | 1.325  | 33.66 | 1.205  | 30.61 | .128   | 3.25 |

# 2M801 Dual-Start ACME Threads In-Line

## 2M801-009-01 and 2M801-010-01



| Shell Size | A Dia. |       | B Flat |       | C Thread          | D Dia. |       | E Thread<br>UNEF-2A |
|------------|--------|-------|--------|-------|-------------------|--------|-------|---------------------|
|            | in.    | mm.   | in.    | mm.   |                   | in.    | mm.   |                     |
| 5          | .355   | 9.02  | .325   | 8.13  | .3125-.05P-.1L-2A | .245   | 6.22  | .2500-32            |
| 6          | .415   | 10.54 | .385   | 9.78  | .3750-.05P-.1L-2A | .290   | 7.37  | .3125-32            |
| 7          | .480   | 12.19 | .445   | 11.30 | .4375-.05P-.1L-2A | .390   | 9.91  | .4375-28            |
| 8          | .540   | 13.72 | .510   | 12.95 | .5000-.05P-.1L-2A | .445   | 11.30 | .5000-28            |
| 9          | .605   | 15.37 | .575   | 14.61 | .5625-.05P-.1L-2A | .500   | 12.70 | .5625-24            |
| 10         | .665   | 16.89 | .635   | 16.13 | .6250-.05P-.1L-2A | .560   | 14.22 | .6250-24            |
| 13         | .855   | 21.72 | .825   | 20.96 | .8125-.1P-.2L-2A  | .650   | 16.51 | .6875-24            |
| 16         | 1.040  | 26.42 | 1.010  | 25.65 | 1.0000-.1P-.2L-2A | .805   | 20.44 | .9375-20            |
| 17         | 1.110  | 28.19 | 1.070  | 27.18 | 1.0625-.1P-.2L-2A | .850   | 21.59 | .9375-20            |
| 21         | 1.405  | 35.69 | 1.385  | 35.18 | 1.3125-.1P-.2L-2A | 1.135  | 28.83 | 1.1875-18           |

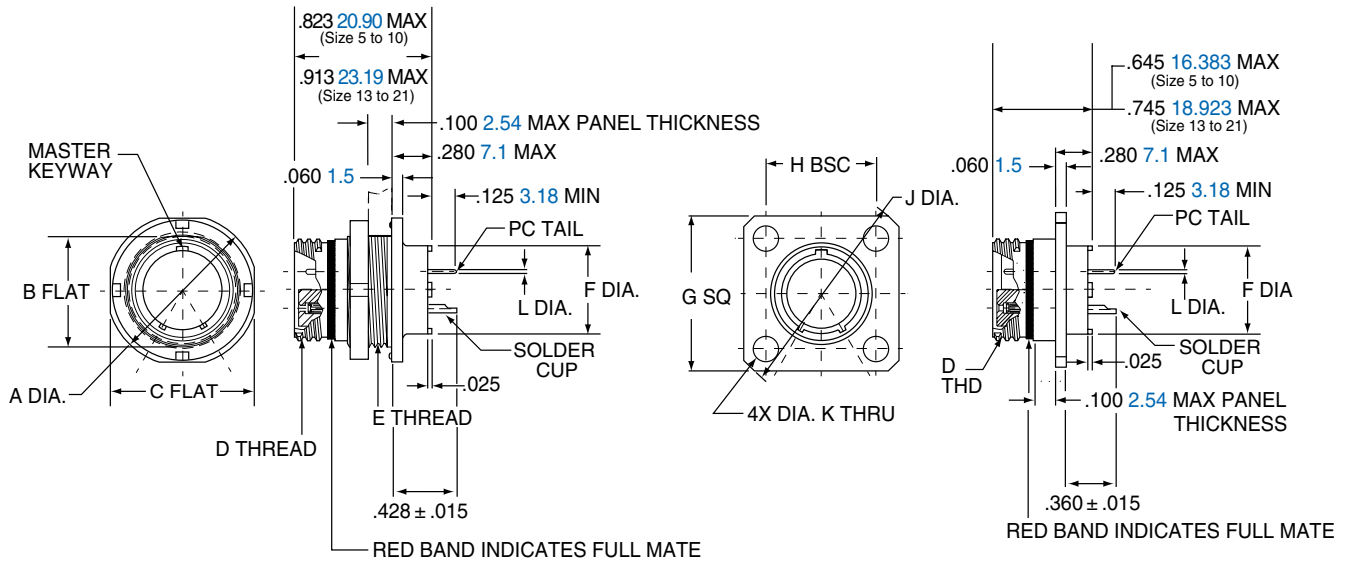
# 2M801 Dual-Start ACME Threads

## Jam Nut and Square Flange 2M801-011 and 2M801-033



2M801-011-07  
2M801-033-07

2M801-011-02  
2M801-033-02

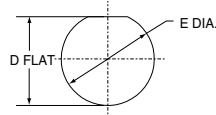


| Shell Size | A Dia. |       | B Flat |       | C Flat |       | D Thread          | E Thread  | F Dia. |       | G Sq. |       | H BSC |       | J Dia. |       |
|------------|--------|-------|--------|-------|--------|-------|-------------------|-----------|--------|-------|-------|-------|-------|-------|--------|-------|
|            | in.    | mm.   | in.    | mm.   | in.    | mm.   |                   |           | in.    | mm.   | in.   | mm.   | in.   | mm.   | in.    | mm.   |
| 5          | .575   | 14.61 | .350   | 8.89  | .545   | 13.84 | .3125-.05P-.1L-2A | .3750-28  | .244   | 6.20  | .530  | 13.46 | .363  | 9.22  | .680   | 17.27 |
| 6          | .635   | 16.13 | .410   | 10.41 | .595   | 15.11 | .3750-.05P-.1L-2A | .4375-28  | .330   | 8.38  | .590  | 14.99 | .423  | 10.74 | .750   | 19.05 |
| 7          | .755   | 19.18 | .536   | 13.61 | .723   | 18.36 | .4375-.05P-.1L-2A | .5625-32  | .432   | 10.97 | .650  | 16.51 | .483  | 12.27 | .850   | 21.59 |
| 8          | .755   | 19.18 | .536   | 13.61 | .723   | 18.36 | .5000-.05P-.1L-2A | .5625-32  | .493   | 12.52 | .712  | 18.08 | .545  | 13.84 | .938   | 23.88 |
| 9          | .830   | 21.08 | .596   | 15.14 | .790   | 20.07 | .5625-.05P-.1L-2A | .6250-28  | .551   | 14.00 | .850  | 21.56 | .607  | 15.42 | 1.125  | 28.58 |
| 10         | .890   | 22.61 | .658   | 16.71 | .855   | 21.72 | .6250-.05P-.1L-2A | .6875-28  | .620   | 15.75 | .890  | 22.61 | .670  | 17.02 | 1.188  | 30.23 |
| 13         | 1.078  | 27.38 | .845   | 21.46 | 1.044  | 26.52 | .8125-.1P-.2L-2A  | .8750-28  | .703   | 17.86 | 1.030 | 26.16 | .812  | 20.62 | 1.375  | 34.93 |
| 16         | 1.264  | 32.11 | 1.022  | 25.96 | 1.230  | 31.24 | 1.0000-.1P-.2L-2A | 1.0625-20 | .863   | 21.92 | 1.219 | 30.96 | .981  | 24.92 | 1.625  | 41.28 |
| 17         | 1.325  | 33.66 | 1.096  | 27.84 | 1.290  | 32.77 | 1.0625-.1P-.2L-2A | 1.1250-28 | .912   | 23.16 | 1.280 | 32.51 | 1.060 | 26.92 | 1.700  | 43.18 |
| 21         | 1.625  | 41.28 | 1.345  | 34.16 | 1.577  | 40.06 | 1.3125-.1P-.2L-2A | 1.3750-28 | 1.170  | 29.72 | 1.565 | 36.32 | 1.322 | 33.58 | 2.100  | 49.28 |

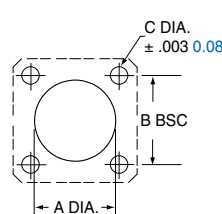
### PANEL CUTOUT

| Shell Size | K Dia. |      | L Dia. Tail Dia.      |
|------------|--------|------|-----------------------|
|            | in.    | mm.  |                       |
| 5          | .093   | 2.36 | #23<br>.018/.022      |
| 6          | .093   | 2.36 | 0.46/0.56             |
| 7          | .093   | 2.36 | #20/20HD<br>.025/.027 |
| 8          | .093   | 2.36 | 0.64/0.69             |
| 9          | .128   | 3.25 | #16<br>.060/.064      |
| 10         | .128   | 3.25 | 1.52/1.63             |
| 13         | .128   | 3.25 | #12<br>.092/.096      |
| 16         | .128   | 3.25 | 2.34/2.44             |
| 17         | .128   | 3.25 |                       |
| 21         | .128   | 3.25 |                       |

### JAM NUT 07



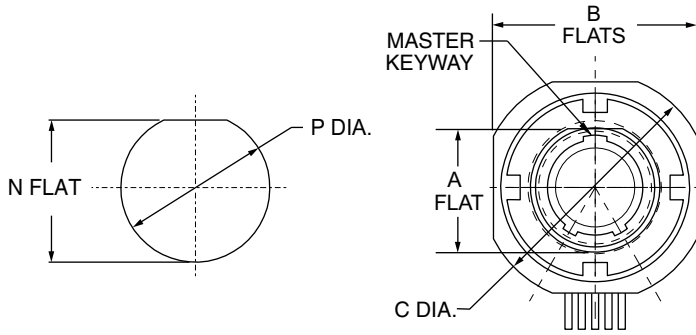
### SQUARE FLANGE 02



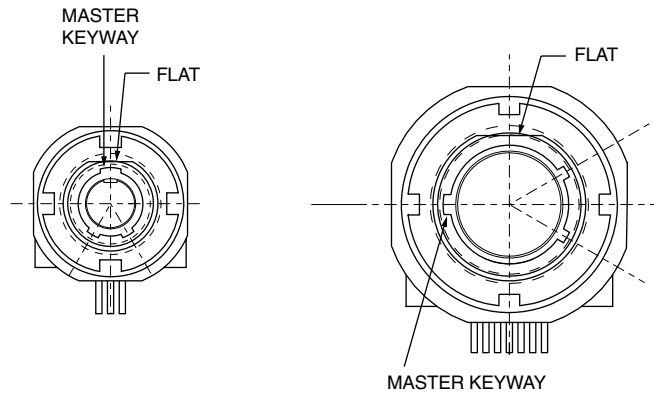
| Shell Size | A Dia. |       | B Dia. |       | C Dia. |      | D Flat |       | E Dia. |       |
|------------|--------|-------|--------|-------|--------|------|--------|-------|--------|-------|
|            | in.    | mm.   | in.    | mm.   | in.    | mm.  | in.    | mm.   | in.    | mm.   |
| 5          | .330   | 8.38  | .363   | 9.22  | .093   | 2.36 | .356   | 9.04  | .385   | 9.78  |
| 6          | .390   | 9.91  | .423   | 10.74 | .093   | 2.36 | .416   | 10.57 | .447   | 11.35 |
| 7          | .450   | 11.43 | .483   | 12.27 | .093   | 2.36 | .542   | 13.77 | .572   | 14.53 |
| 8          | .510   | 12.95 | .545   | 13.84 | .093   | 2.36 | .542   | 13.77 | .572   | 14.53 |
| 9          | .575   | 14.61 | .607   | 15.42 | .128   | 3.25 | .602   | 15.29 | .635   | 16.13 |
| 10         | .640   | 16.26 | .670   | 17.02 | .128   | 3.25 | .666   | 16.92 | .697   | 17.70 |
| 13         | .825   | 20.96 | .812   | 20.65 | .128   | 3.25 | .851   | 21.62 | .885   | 22.48 |
| 16         | 1.015  | 25.78 | .981   | 24.92 | .128   | 3.25 | 1.028  | 26.11 | 1.075  | 27.31 |
| 17         | 1.075  | 27.31 | 1.060  | 26.92 | .128   | 3.25 | 1.102  | 27.99 | 1.135  | 28.83 |
| 21         | 1.330  | 33.78 | 1.322  | 33.58 | .128   | 3.25 | 1.354  | 34.39 | 1.385  | 35.18 |



# 2M801 Dual-Start Right Angle PCB Jam Nut Connector 2M801-023-07

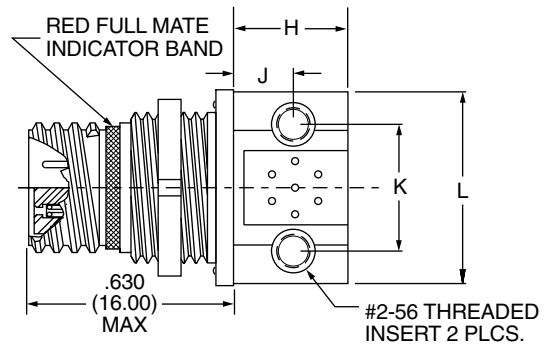
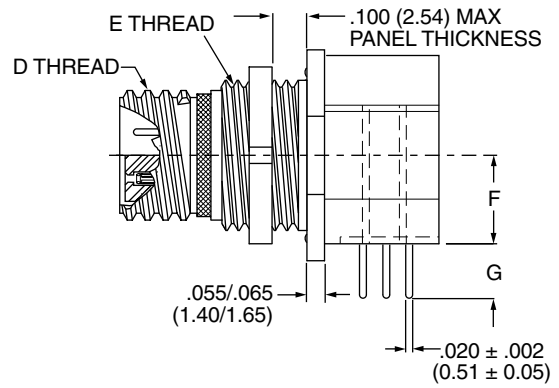


MASTER KEYWAY IS LOCATED AT TOP DEAD CENTER FOR ALL ARRANGEMENTS EXCEPT FOR THE 8-13.



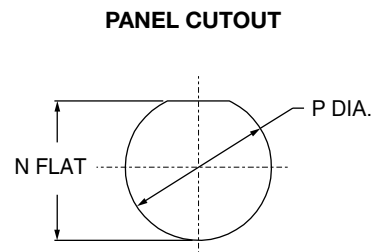
5-3, 6-4, 6-7, 7-10, AND 9-19  
MASTER KEYWAY LOCATION

8-13  
MASTER KEYWAY LOCATION



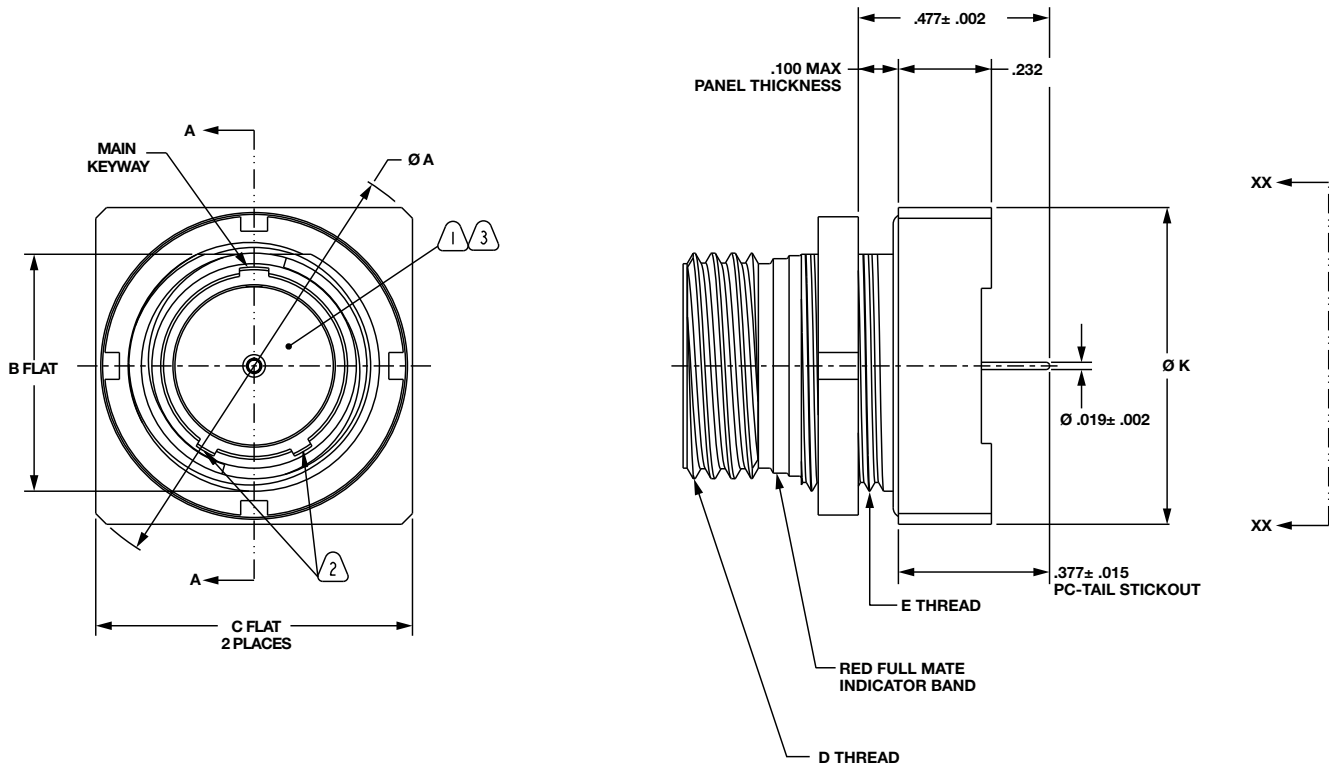
| Shell Size | A         |           | B    |       | C Dia. |       | D Thread          | E Thread         | F    |      | G         |           | H    |       |
|------------|-----------|-----------|------|-------|--------|-------|-------------------|------------------|------|------|-----------|-----------|------|-------|
|            | in. ±.005 | mm. ±0.13 | in.  | mm.   | in.    | mm.   |                   |                  | in.  | mm.  | in. ±.035 | mm. ±0.89 | in.  | mm.   |
| 5-3        | .350      | 8.89      | .548 | 13.92 | .575   | 14.61 | .3125-.05P-.1L-2A | .3750-28 UN-2A   | .225 | 5.72 | .275      | 6.99      | .260 | 6.60  |
| 6-4        | .410      | 10.41     | .598 | 15.19 | .635   | 16.13 | .3750-.05P-.1L-2A | .4375-28 UNEF-2A | .225 | 5.72 | .265      | 6.73      | .345 | 8.76  |
| 6-7        | .410      | 10.41     | .598 | 15.19 | .635   | 16.13 | .3750-.05P-.1L-2A | .4375-28 UNEF-2A | .225 | 5.72 | .265      | 6.73      | .345 | 8.76  |
| 7-10       | .536      | 13.61     | .726 | 18.44 | .755   | 19.18 | .4375-.05P-.1L-2A | .5625-32 UN-2A   | .296 | 7.52 | .273      | 6.93      | .345 | 8.76  |
| 8-2        | .538      | 13.67     | .728 | 18.49 | .758   | 19.25 | .5000-.05P-.1L-2A | .5625-32 UN-2A   | .319 | 8.10 | .316      | .803      | .490 | 12.45 |
| 8-13       | .538      | 13.67     | .728 | 18.49 | .758   | 19.25 | .5000-.05P-.1L-2A | .5625-32 UN-2A   | .319 | 8.10 | .316      | 8.03      | .490 | 12.45 |
| 9-19       | .596      | 15.14     | .793 | 20.14 | .833   | 21.16 | .5625-.05P-.1L-2A | .6250-28 UN-2A   | .360 | 9.14 | .275      | 6.99      | .490 | 12.45 |

| Shell Size | J    |      | K    |       | L    |       | N         |           | P         |           |
|------------|------|------|------|-------|------|-------|-----------|-----------|-----------|-----------|
|            | in.  | mm.  | in.  | mm.   | in.  | mm.   | in. ±.002 | mm. ±0.05 | in. ±.005 | mm. ±0.13 |
| 5-3        | .165 | 4.19 | .310 | 7.87  | .490 | 14.45 | .357      | 9.07      | .385      | 9.78      |
| 6-4        | .187 | 4.75 | .408 | 10.36 | .589 | 15.19 | .418      | 10.62     | .448      | 11.37     |
| 6-7        | .187 | 4.75 | .408 | 10.36 | .589 | 15.19 | .418      | 10.62     | .448      | 11.37     |
| 7-10       | .170 | 4.32 | .452 | 11.48 | .710 | 18.03 | .544      | 13.82     | .573      | 14.55     |
| 8-2        | .230 | 5.84 | .490 | 4.31  | .710 | 18.03 | .544      | 13.82     | .573      | 14.55     |
| 8-13       | .230 | 5.84 | .490 | 12.45 | .710 | 18.03 | .544      | 13.82     | .573      | 14.55     |
| 9-19       | .342 | 8.69 | .600 | 15.24 | .800 | 20.32 | .603      | 15.32     | .635      | 16.13     |



# 2M801 Dual-Start PCB Jam Nut, Double Flange

## Receptacle 2M801-075



| Shell Size | A Dia. |       | B Flat |       | C Flat |       | D Thread          | E Thread  | K Dia. |       |
|------------|--------|-------|--------|-------|--------|-------|-------------------|-----------|--------|-------|
|            | in.    | mm.   | in.    | mm.   | in.    | mm.   |                   |           | in.    | mm.   |
| 5          | .575   | 14.61 | .350   | 8.89  | .545   | 13.84 | .3125-.05P-.1L-2A | .3750-28  | .844   | 21.43 |
| 6          | .635   | 16.13 | .410   | 10.41 | .595   | 15.11 | .3750-.05P-.1L-2A | .4375-28  | .900   | 22.86 |
| 7          | .755   | 19.18 | .536   | 13.61 | .723   | 18.36 | .4375-.05P-.1L-2A | .5625-32  | NA     | NA    |
| 8          | .755   | 19.18 | .536   | 13.61 | .723   | 18.36 | .5000-.05P-.1L-2A | .5625-32  | NA     | NA    |
| 9          | .830   | 21.08 | .596   | 15.14 | .790   | 20.07 | .5625-.05P-.1L-2A | .6250-28  | 1.000  | 25.4  |
| 10         | .890   | 22.61 | .658   | 16.71 | .855   | 21.72 | .6250-.05P-.1L-2A | .6875-28  | NA     | NA    |
| 13         | 1.078  | 27.38 | .845   | 21.46 | 1.044  | 26.52 | .8125-.1P-.2L-2A  | .8750-28  | NA     | NA    |
| 16         | 1.264  | 32.11 | 1.022  | 25.96 | 1.230  | 31.24 | 1.0000-.1P-.2L-2A | 1.0625-20 | NA     | NA    |
| 17         | 1.325  | 33.66 | 1.096  | 27.84 | 1.290  | 32.77 | 1.0625-.1P-.2L-2A | 1.1250-28 | NA     | NA    |
| 21         | 1.625  | 41.28 | 1.345  | 34.16 | 1.577  | 40.06 | 1.3125-.1P-.2L-2A | 1.3750-28 | NA     | NA    |

2M801

F

# 2M801 Protection Caps

## Ordering Guide for Metal Protection Cap 2M667-217 and 218

2M801 Double Start Protective Caps are available in plug and receptacle versions. Protective caps keep the connector interface dry and clean while not in use. Caps come in a variety of materials, lanyard styles and lengths to accommodate specific design requirements.

### 2M801 FEATURES INCLUDE:

- Aluminum or Stainless Steel Bodies
- Rubber Gaskets for Environmental Sealing
- Stainless Steel Fittings
- Variety of attachments



| 1.        | 2.            | 3.              | 4.                   | 5.              | 6.                          |
|-----------|---------------|-----------------|----------------------|-----------------|-----------------------------|
| SERIES    | SERVICE CLASS | ATTACHMENT TYPE | CONNECTOR SHELL SIZE | ATTACHMENT CODE | ATTACHMENT LENGTH IN INCHES |
| 2M667-21X | -NF           | -S              | 5                    | 04              | -5                          |

| 1. SERIES |                                      |
|-----------|--------------------------------------|
| Part #    | Description                          |
| 2M667-217 | Protection Caps<br>2M801 Plugs       |
| 2M667-218 | Protection Caps<br>2M801 Receptacles |

| 4. CONNECTOR SHELL SIZE |  |
|-------------------------|--|
| Part #                  |  |
| 5                       |  |
| 6                       |  |
| 7                       |  |
| 8                       |  |
| 9                       |  |
| 10                      |  |
| 13                      |  |
| 16                      |  |
| 17                      |  |
| 21                      |  |

| 2. SERVICE CLASS |        |                                 |      |
|------------------|--------|---------------------------------|------|
| Material         | Part # | Description                     | RoHS |
| ALUMINUM         | -C     | Black Anodized (Non-conductive) |      |
|                  | -M     | Electroless Nickel              |      |
|                  | -NF    | Olive Drab Cadmium              |      |
|                  | -MT    | Durmalon (Ni PTFE)              |      |
|                  | -ZN    | Olive Drab Zinc Nickel          |      |
|                  | -ZNU   | Black Zinc Nickel               |      |
| STAINLESS STEEL  | -Z1    | Passivated                      |      |
|                  | -ZM    | Electroless Nickel              |      |

| 3. ATTACHMENT TYPE |        |  |
|--------------------|--------|--|
|                    | Part # | Description                                    |
|                    | -G     | Nylon Rope                                     |
|                    | -H     | Stainless Steel Wire Rope, Teflon® Jacket      |
|                    | -N     | No Attachment                                  |
|                    | -S     | Stainless Steel Sash Chain                     |
|                    | -SK    | Nylon Rope With Slip Knot                      |
|                    | -T     | Stainless Steel Wire Rope, No Jacket           |
|                    | -U     | Stainless Steel Wire Rope, Polyurethane Jacket |

| 5. ATTACHMENT CODE   |            |                         |                |
|--|------------|-------------------------|----------------|
| Omit for attachment Types N (No Attachment) and SK (Slip Knot) |            |                         |                |
|  | Small Ring | 01 - 126 (3.20) I.D.    |                |
|  |            | 02 - 145 (3.68) I.D.    |                |
|  |            | 04 - 188 (4.78) I.D.    |                |
|  |            | 06 - 197 (5.00) I.D.    |                |
|  |            |                         | For Shell Size |
|  | Large Ring | 14 - 385 (9.78) I.D.    | 5              |
|  |            | 15 - 445 (11.30) I.D.   | 6              |
|  |            | 16 - 570 (14.48) I.D.   | 7, 8           |
|  |            | 17 - 635 (16.13) I.D.   | 9              |
|  |            | 18 - 695 (17.65) I.D.   | 10             |
|  |            | 19 - 885 (22.48) I.D.   | 13             |
|  |            | 20 - 1,070 (27.17) I.D. | 16             |
|  |            | 21 - 1,135 (28.83) I.D. | 17             |
|  | Split Ring | 50 - 420 (10.67) I.D.   |                |
|  |            | 52 - 480 (12.19) I.D.   |                |
|  |            | 54 - 635 (16.13) I.D.   |                |
|  |            | 56 - 745 (18.92) I.D.   |                |
|  |            | 58 - 885 (22.48) I.D.   |                |
|  |            | 60 - 1,010 (25.65) I.D. |                |
|  |            | 64 - 1,125 (28.58) I.D. |                |
| 68 - 1,345 (34.16) I.D.  |            |                         |                |

| 5. ADDITIONAL ATTACHMENT CODE |                         |
|-------------------------------|-------------------------|
|                               | Large Ring              |
|                               | 22 - 1,210 (30.73) I.D. |
|                               | 25 - 1,530 (38.86) I.D. |
|                               | 23 - 1,275 (32.39) I.D. |

| 6. ATTACHMENT LENGTH IN INCHES   |             |
|--|-------------|
| -5   | Inch Length |
| Omit for attachment Type N (No Attachment)<br>Example "-5" equals five inch length |             |

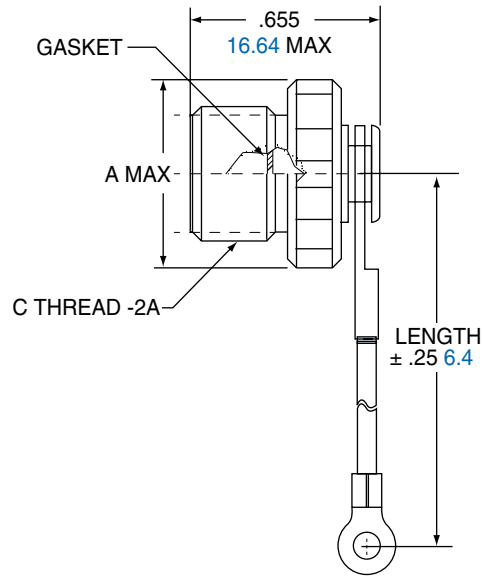
Assembly Instructions for Protection Cap, see page 100.

# 2M801 Dual-Start ACME Threads

## Metal Protective Cap 2M667-217



### 2M667-217 (PLUG)



| Shell Size | A Max. |       | B Max. |       | C              |
|------------|--------|-------|--------|-------|----------------|
|            | in.    | mm.   | in.    | mm.   |                |
| 5          | .463   | 11.76 | .550   | 13.97 | .3125-.05P-1L  |
| 6          | .523   | 13.28 | .613   | 15.57 | .3750-.05P-1L  |
| 7          | .588   | 14.94 | .700   | 17.78 | .4375-.05P-1L  |
| 8          | .648   | 16.46 | .758   | 19.25 | .5000-.05-.1L  |
| 9          | .713   | 18.11 | .813   | 20.65 | .5625-.05P-.1L |
| 10         | .773   | 19.63 | .893   | 22.68 | .6250-.05P-1L  |
| 13         | .963   | 24.46 | 1.063  | 27.00 | .8125-.1P-.2L  |
| 16         | 1.148  | 29.16 | 1.257  | 31.93 | 1.0000-.1P-.2L |
| 17         | 1.213  | 30.81 | 1.313  | 33.35 | 1.0625-.1P-.2L |
| 21         | 1.473  | 37.41 | 1.563  | 39.70 | 1.3125-.1P-.2L |

| MATERIALS      |                                   |
|----------------|-----------------------------------|
| Cover          | Aluminum alloy or stainless steel |
| Gasket         | Silicone rubber                   |
| Wire, Hardware | Stainless steel, passivated       |

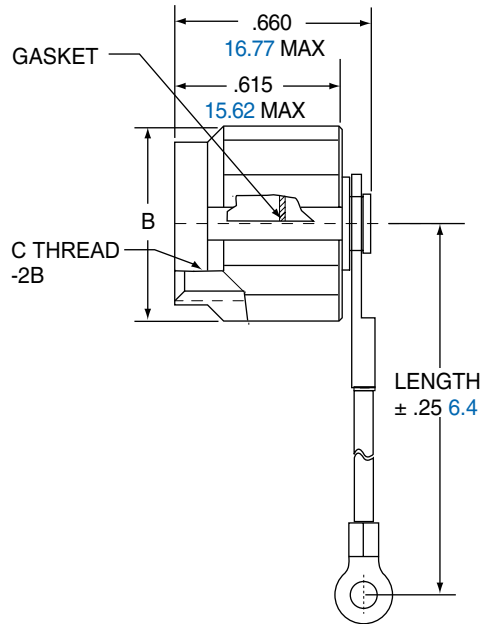
2M801

F

# 2M801 Dual-Start ACME Threads

## Metal Protective Cap 2M667-218

### 2M667-218 (RECEPTACLE)



| Shell Size | A Max. |       | B Max. |       | C              |
|------------|--------|-------|--------|-------|----------------|
|            | in.    | mm.   | in.    | mm.   |                |
| 5          | .463   | 11.76 | .550   | 13.97 | .3125-.05P-1L  |
| 6          | .523   | 13.28 | .613   | 15.57 | .3750-.05P-1L  |
| 7          | .588   | 14.94 | .700   | 17.78 | .4375-.05P-1L  |
| 8          | .648   | 16.46 | .758   | 19.25 | .5000-.05-.1L  |
| 9          | .713   | 18.11 | .813   | 20.65 | .5625-.05P-1L  |
| 10         | .773   | 19.63 | .893   | 22.68 | .6250-.05P-1L  |
| 13         | .963   | 24.46 | 1.063  | 27.00 | .8125-.1P-.2L  |
| 16         | 1.148  | 29.16 | 1.257  | 31.93 | 1.0000-.1P-.2L |
| 17         | 1.213  | 30.81 | 1.313  | 33.35 | 1.0625-.1P-.2L |
| 21         | 1.473  | 37.41 | 1.563  | 39.70 | 1.3125-.1P-.2L |

| MATERIALS      |                                   |
|----------------|-----------------------------------|
| Cover          | Aluminum alloy or stainless steel |
| Gasket         | Silicone rubber                   |
| Wire, Hardware | Stainless steel, passivated       |

## X-ON Electronics

Largest Supplier of Electrical and Electronic Components

*Click to view similar products for [Amphenol manufacturer](#):*

Other Similar products are found below :

[PT01SE-16-8P\(027\)](#) [PT01SE-16-8P\(476\)](#) [CTV06RW-11-2JB-LC](#) [97-3108A-22-14P](#) [10-474017-10P](#) [MS27473P14B18S](#) [TV06RW-25-90AE](#)  
[CTVS06RF-25-46PB-LC](#) [PT02E10-2PW](#) [PT02E10-2PX](#) [97-3106A18-3PX-958](#) [97-3106A18-3PY-958](#) [PT06J20-24SW](#) [TV06RL-13-35AD](#)  
[TV06RL-13-98BD](#) [TV06RW-25-46AE](#) [TV06RL-13-35SD-LC](#) [TV06RL-13-35SD](#) [TV06RL-13-98SD-LC](#) [TV06RL-13-98SD](#) [TVP00RW-23-](#)  
[53AD](#) [PT02E10-2PW-025](#) [100-007-213-002-001](#) [2M805-002-16NF23-12PA](#) [97-3108B16S-5PW-417](#) [97-3108B16S-5PY-417](#) [CS-](#)  
[DSDMDB37MF-025](#) [97-3108B16S-5PZ-417](#) [GTC02R32-17S-025-RDS](#) [PT06SE2041P](#) [CF-5A9013-04N](#) [CF-6A4615-06N](#) [GTC02R32-17S-](#)  
[025-RDS-LC](#) [GTC02R32-17S-025-LC](#) [PT06SE-24-61P\(LC\)](#) [SP28W1F](#) [TV07DT-25-37P](#) [TV07DT-25-37JN-LC](#) [TV07DT-25-37S](#) [TV07DT-](#)  
[25-37S-LC](#) [TV07DT-25-46P-LC](#) [97-3101A20-21P-958](#) [TV07DT-25-90P-LC](#) [TV07DT-25-46A](#) [TV07DT-25-37P-LC](#) [GTS08-36-22PZ-025-](#)  
[B30](#) [PT00SP2241P](#) [CTVPS00RF-15-15AC](#) [LJT06RT-15-35PB\(023\)](#) [TVS07RF-15-15AB](#)