

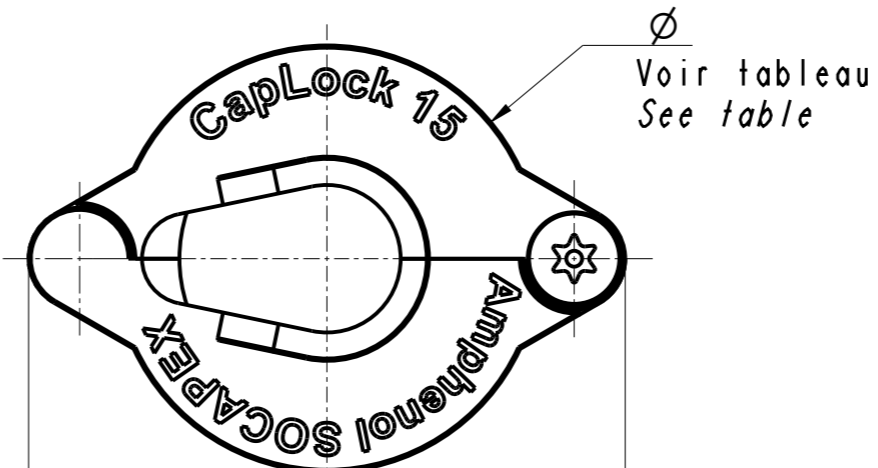
Outils à commander séparément.  
Tools to be ordered separately.



Clé de verrouillage réf: 30712.  
locking tool P/N: 30712.

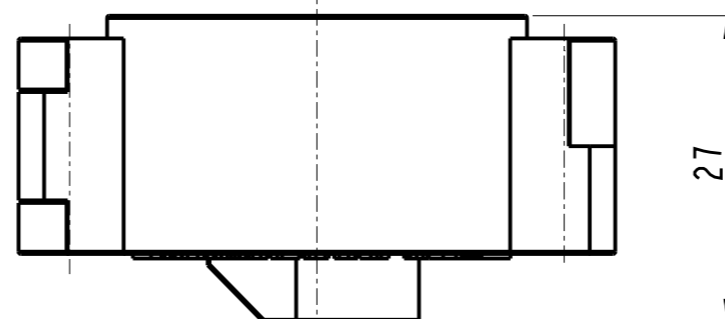


Embout de verrouillage réf: 30711.  
locking tool P/N: 30711.



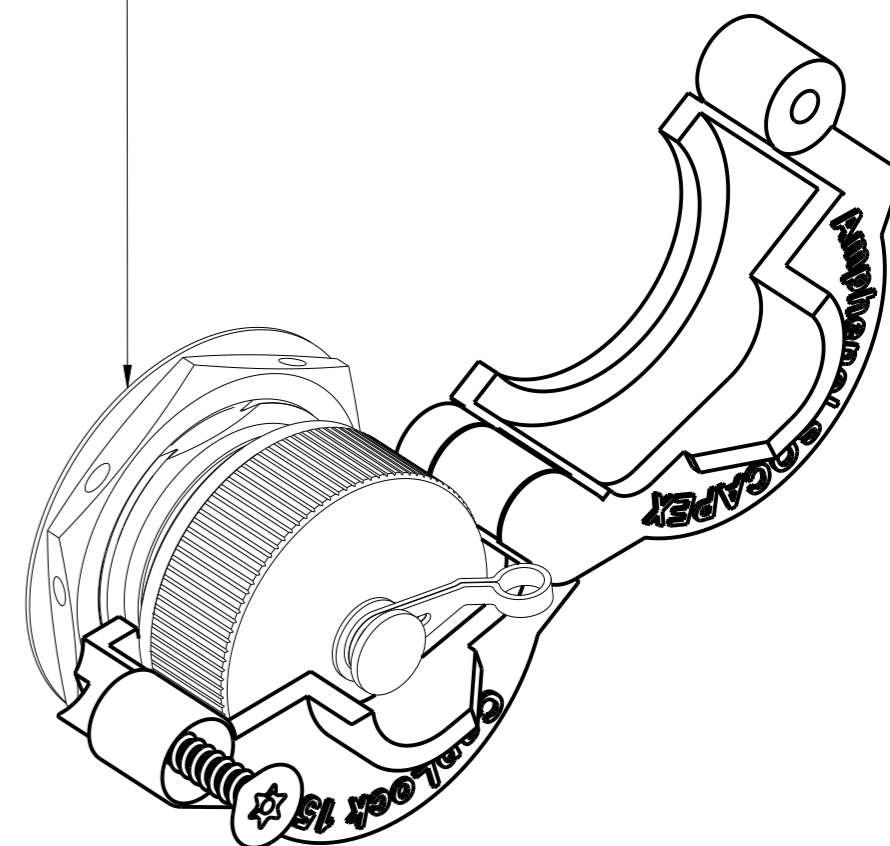
Ø Voir tableau  
See table

Voir tableau  
See table

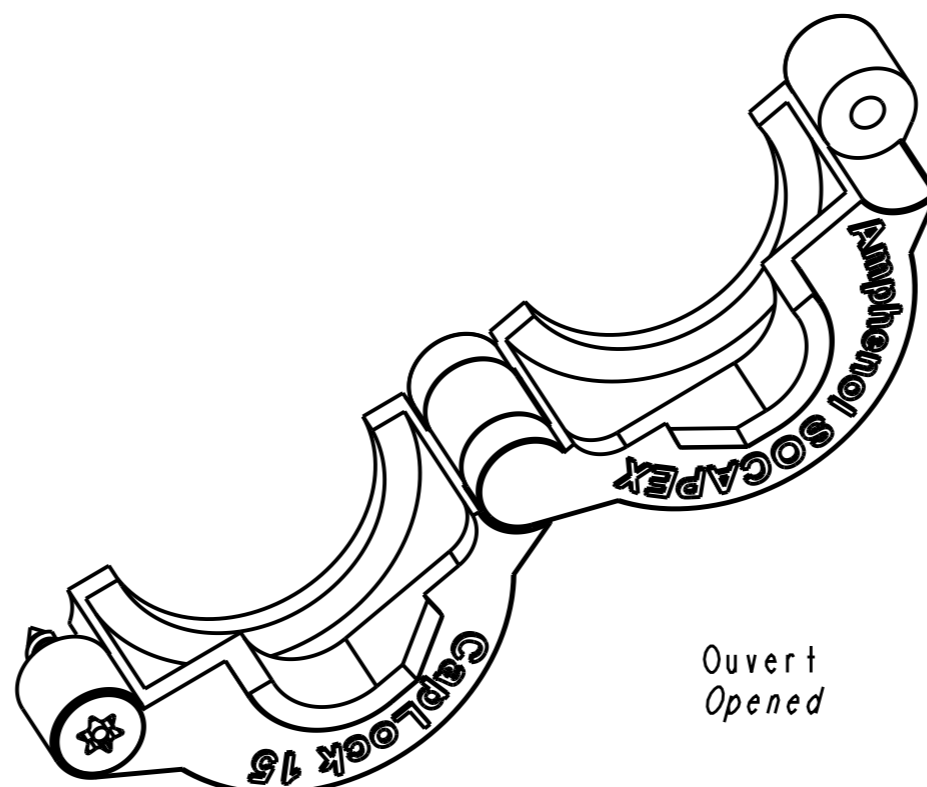


27

Embase + bouchon  
type MIL-DTL-38999 série III.  
Receptacle + protective cap  
type MIL-DTL-38999 serie III



Fermé  
Closed



Ouvert  
Opened

Taille (voir tableau)  
Size (see table)

Vis torx inclu  
Torx screw included

## CapLock 15 TX

Bouchon plastique de cybersécurité  
verrouillable pour embases  
type MIL-DTL-38999 série III.

Lockable plastic cybersecurity cap for  
type MIL-DTL-38999 serie III  
receptacles.

Shell size	Ø ±0.2/[0.008]	L ±0.2/[0.008]
T09	28.6 / [1.102]	43.6 / [1.692]
T11	33.6 / [1.299]	48.6 / [1.889]
T13	36.6 / [1.417]	51.6 / [2.007]
T15	37.6 / [1.456]	52.6 / [2.047]
T17	42.6 / [1.653]	57.6 / [2.244]
T19	44.6 / [1.732]	59.6 / [2.322]
T21	47.6 / [1.850]	62.6 / [2.440]
T23	50.6 / [1.968]	65.6 / [2.559]
T25	54.6 / [2.125]	69.6 / [2.716]

APPROVAL FOR MANUFACTURING  
Add missing specifications on the drawing if necessary (specific labellings, tolerances,...)

DRAWN BY: G TURPIN

UPDATED BY: L WALASZEK

LAST APPROVED BY: M RINSANT

CUSTOMER :

PROGRAM :

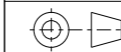
CUSTOMER  
SIGNATURE

Name :

Date :

ALL  
DIMENSIONS  
ARE IN MM

SCALE : 1,5



**AMPHENOL SOCAPEX**

B.P. 29 74311 THYEZ CEDEX

ORIGINAL  
DRAWING DATE :  
16/02/22

CONFIGURATION  
DATA ARE  
AVAILABLE IN PDM

REV : B

PAGE : 1/1

191-PLC-1073-00

## X-ON Electronics

Largest Supplier of Electrical and Electronic Components

*Click to view similar products for [Other Tools](#) category:*

*Click to view products by [Amphenol](#) manufacturer:*

Other Similar products are found below :

[899-2-KT46](#) [568681-1](#) [CR-12FP4--260R](#) [5800-0090](#) [58061-1](#) [59085](#) [00-8273-RDPP](#) [593033](#) [593072](#) [593564100](#) [593575](#) [593593](#) [011349-000](#) [CRCW08052740FRT1](#) [LUC-012S070DSM](#) [LUC-018S070DSP](#) [LUC-024S105DSP](#) [599-2021-3-NME](#) [599-JJ-2021-03](#) [CRCW2010331JR02](#) [601-JJ-06](#) [601-SPB](#) [601YSY](#) [602-JJ-03](#) [602SPB](#) [603-JJ-07-FP](#) [603-JJY-04](#) [CRTN1013](#) [CS16](#) [6-1579014-0](#) [6203](#) [6240-1](#) [M43435 TY 2 SZ 3 FIN B BLK](#) [M43435 TY 5 SZ 3 FIN C NAT](#) [M-5Z](#) [M6816](#) [660-29ABT1](#) [662508-1](#) [CVHD-950X-93.333](#) [CW104-01X](#) [671-GP-04-KT39-73207](#) [CW307-01A](#) [CW30901A](#) [CW6211201A](#) [679793-1](#) [690124-7](#) [690191-1](#) [690191-3](#) [690317-2](#) [691409-](#)