

5

4

3

2

1

SPECIFICATIONS

ELECTRICAL

FREQUENCY RANGE _____ DC TO 18 GHz

ATTENUATION (FREQ. IN GHz) DC-12.4 12.4-18
 0-6 dB ±0.3 dB ±0.5 dB
 7-12, 15 & 20 dB ±0.5 dB ±0.75 dB
 30 & 40 dB ±0.75 dB ±1.00 dB

VSWR(MAX)
 DC - 4 GHz 1.15:1
 4 - 12.4 GHz 1.25:1
 12.4 - 18 GHz 1.40:1

POWER _____ 10 WATTS (AVG)
Derates Linearly from +25°C to 10% at +125°C

POWER, PEAK _____ 500 WATTS
5m S PULSE WIDTH, 0.2% DUTY CYCLE

IMPEDANCE: _____ 50 OHMS

OPERATING TEMP RANGE _____ -65 TO +125°

ENVIRONMENTAL CAPABILITIES
MIL-DTL-3933A/16 TYPE DEVICES

MATERIALS

OUTER CONDUCTOR: _____ PASSIVATED STAINLESS STEEL IAW ASTM A484 & A582, CLASS 303

HEAT SINK: _____ BLACK ANODIZED ALUMINUM

CENTER CONDUCTOR: _____ GOLD PLATED (ASTM-B488/MIL-PRF-39012) BERYLLIUM COPPER PER ASTM B196 & B197

DIELECTRIC: _____ TEFLON (PTFE) PER ASTM D1710.

ATTENUATOR CARD: _____ PROPRIETARY THIN FILM, PASSIVATION PROTECTED, ON ALUMINUM NITRIDE CERAMIC HYBRID

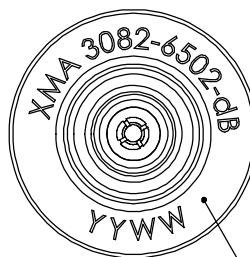
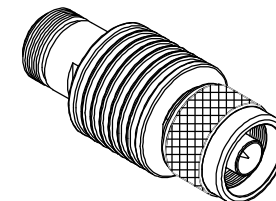
WEIGHT: _____ 2.7 OZ. [77 GRAMS] MAX.

MARKING

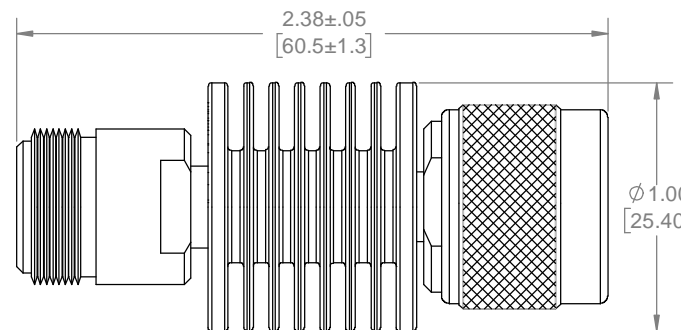
PART LOOKS LIKE PRODUCT IMAGE ABOVE.
PART MARKING ORIENTATION AND FORMAT AS SHOWN.
dB TO BE REPLACED WITH THE TWO DIGIT dB VALUE ON THE WORK ORDER. EX: 2 dB = 02, 10dB = 10, 20dB = 20
LASER MARKING TO BE AS LARGE AS POSSIBLE, CLEAR, READABLE.
YYWW EQUALS DATE CODE.

DASH NO	NOM dB	DASH NO	NOM dB
-01	1	-09	9
-02	2	-10	10
-03	3	-11	11
-04	4	-12	12
-05	5	-15	15
-06	6	-20	20
-07	7	-30	30
-08	8	-40	40

REVISIONS				
REV	DESCRIPTION	ECO #	DATE	APPROVED
G	UPDATED TO NEW FORMAT	13-080	3/29/13	T.KUHN
H	REVISED MARKING	15-183	6/16/15	T.KUHN
J	ADDED 40 dB	17-051	4/14/17	T.KUHN



MARKING AREA
SEE NOTES



QTY.	PART NUMBER	DESCRIPTION	ITEM NO.
X	3082-6502-dB	ATTENUATOR, TYPE N-m/f, DC-18GHz, 10W	
1	TA-3082-6502-dBU	ASSEMBLY, ATTENUATOR, TYPE N-m/f, DC-18GHz, 10W, UNMARKED	1

DRAWING PRACTICES PER ANSI-Y-14.5 MIL-STD-100 & 1000
 DIMENSIONS ARE IN INCHES AND APPLY BEFORE / AFTER PROCESSING
 SURFACE ROUGHNESS μ INCHES 63
 FINISH:
 MATERIAL: _____
 NOTE: THIS DRAWING INCORPORATES THIRD ANGLE PROJECTION.

 INTERPRET IAW ANSI Y14.5-1982

UNLESS OTHERWISE SPECIFIED TOLERANCES IN:
 DECIMALS INCH [MM]
 .X* .05" [1.27]
 .XX* .03" [.76]
 .XXX* .010" [.25]
 ANGLES ±0°30'
 REMOVE ALL BURRS/SHARP W/ BREAK / R OF .003" TO .0005"
 UNLESS OTHERWISE NOTED DIAS CONCENTRIC <.003 T.I.R.
 DO NOT SCALE PRINT

DRAWN DATE
 McCORMICK 6/16/15
 CHECKED DATE
 McCORMICK 6/16/15
 ENG. APPR. DATE
 T.KUHN 6/16/15
 THESE DRAWINGS AND SPECIFICATIONS ARE THE PROPERTY OF XMA CORP. OR OMNI SPECTRA AND SHALL NOT BE REPRODUCED, COPIED NOR USED - IN WHOLE OR IN PART - AS A BASIS FOR THE MANUFACTURE OR SALE OF OTHER ITEMS WITHOUT THE EXPRESS WRITTEN PERMISSION OF XMA CORP.



Phone: 603-222-2256 Fax: 603-222-2259
150 Dow Street, Manchester, NH 03101

ATTENUATOR, TYPE N-m/f, DC-18GHz, 10W

SIZE	CAGE CODE	DRAWING NUMBER	REV
B	3HT76	3082-6502-dB	J
SCALE	PLATED AREA SQ. IN	SHEET 1 OF 1	

5

4

3

2

1

X-ON Electronics

Largest Supplier of Electrical and Electronic Components

Click to view similar products for [Attenuators - Interconnects](#) category:

Click to view products by [Amphenol](#) manufacturer:

Other Similar products are found below :

[R414701000](#) [R411800121](#) [R413840115](#) [ATT-523F-05-SMA-02](#) [R413305000](#) [R411808121](#) [R412501124](#) [R414702000](#) [ATP8-10006KV](#)
[R414705000](#) [R411710124](#) [R410220121](#) [CT3369A-20](#) [09AS102-K40S3](#) [R411802000](#) [ATT-263F-03-SMA-02](#) [R417320130](#) [R412508124](#)
[R417030110](#) [ATT-523F-12-SMA-02](#) [ATT-263F-06-SMA-02](#) [ATT-0263-22-SMA-02](#) [ATT-263F-10-SMA-02](#) [ATT-523F-10-SMA-02](#)
[R422030020](#) [R422020030](#) [R417506130](#) [ATT-0263-25-SMA-02](#) [R413810000](#) [R411810124](#) [R413803000](#) [R417330110](#) [ATT-0290-02-HEX-](#)
[02](#) [R415603000](#) [R415620000](#) [R415606000](#) [R415610000](#) [ATT-0290-00-SMA-02](#) [AT-130V](#) [CATTEN-05R0-BNC](#) [CATTEN-04R0-BNC](#)
[6620_SMA-50-1/199_NE](#) [6630_SMA-50-2/199_NE](#) [CATTEN-06R0-BNC](#) [ATT-0294-02-SMA-02](#) [ATT-0298-06-HEX-02](#) [6610_SMA-50-](#)
[2/199_NE](#) [6605_SMA-50-1/199_NE](#) [6820.17.A](#) [6803.17.B](#)