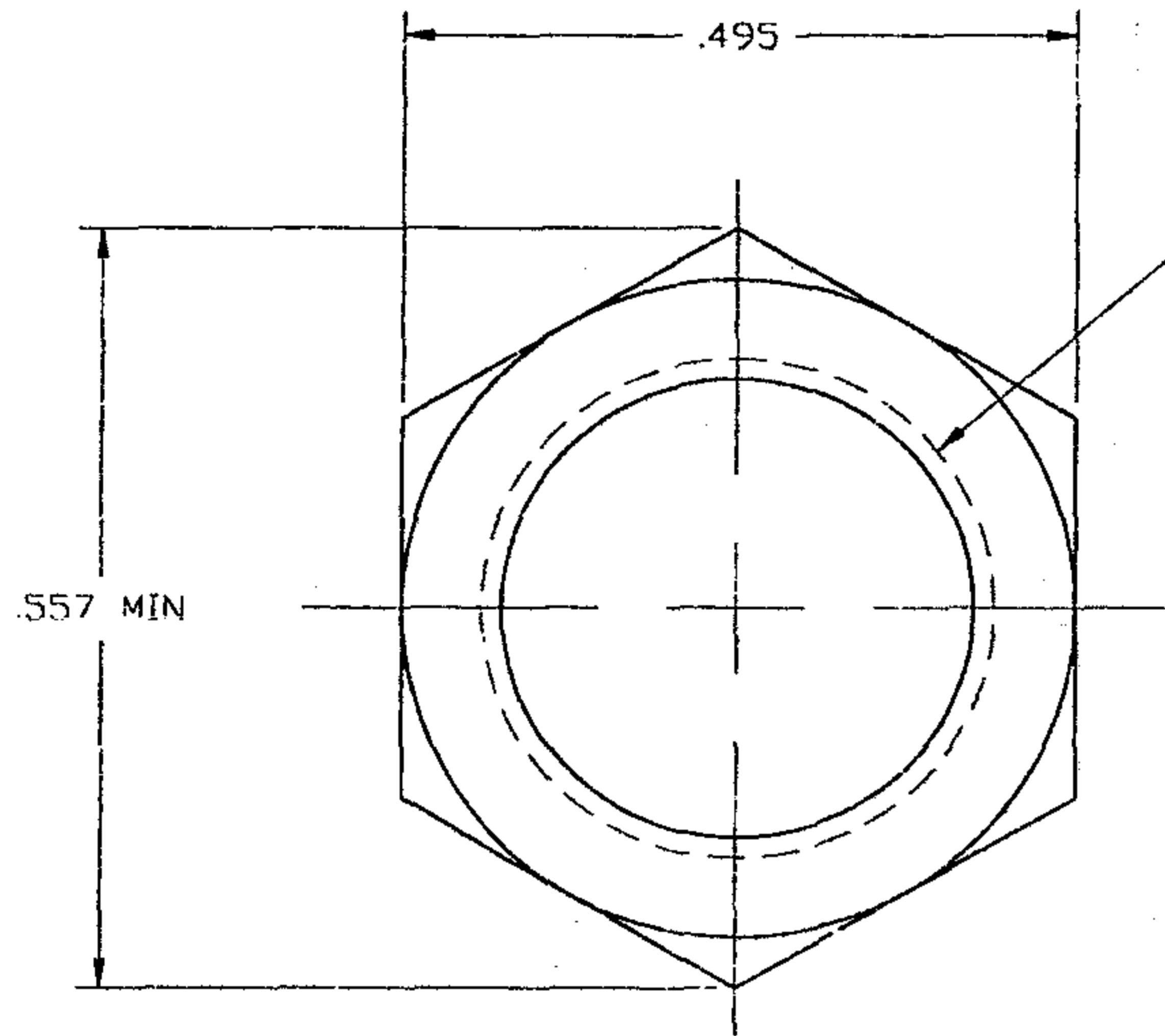


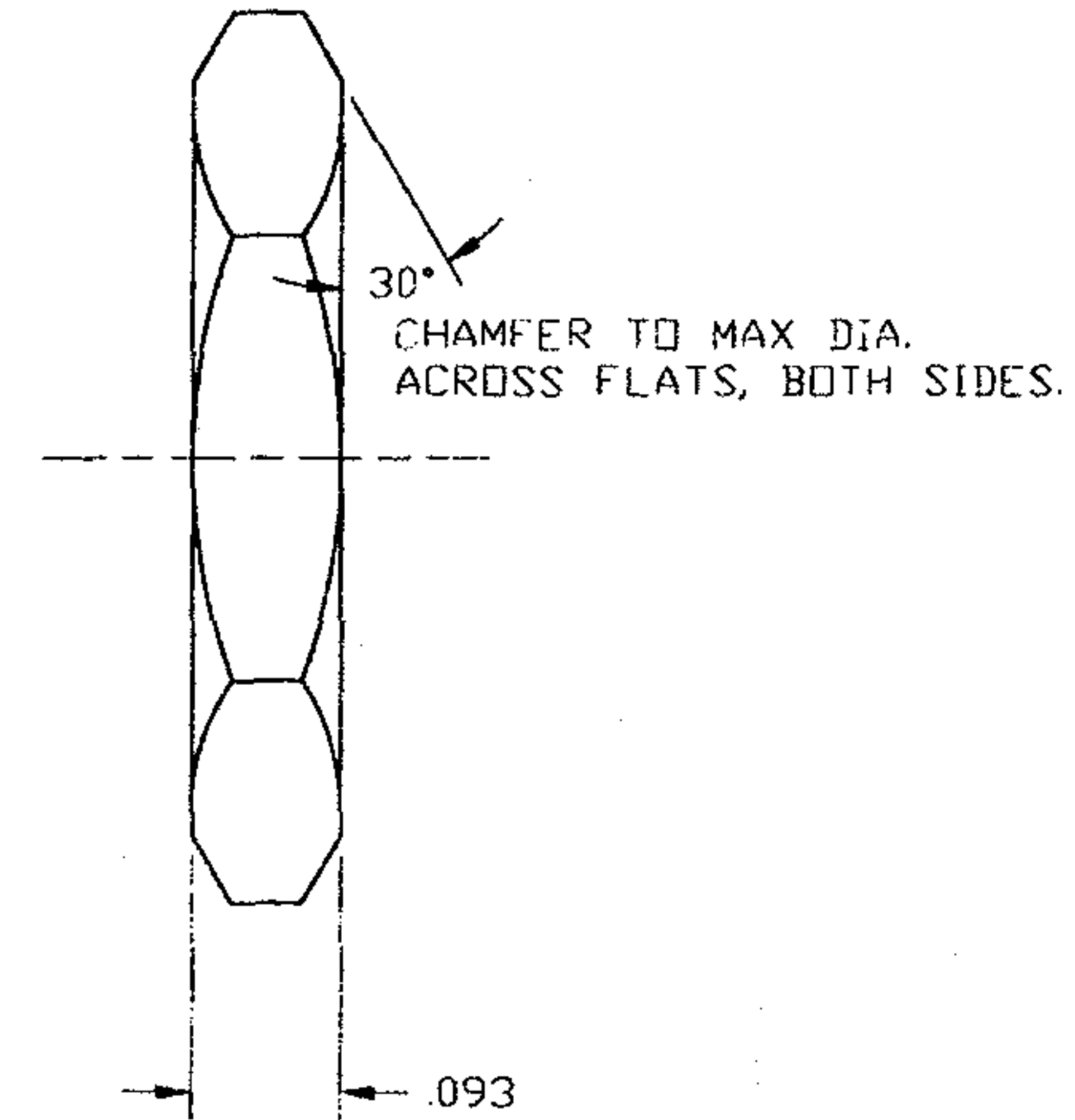
NOTES:

1. DO NOT SCALE THIS DRAWING.
2. REMOVE ALL BURRS, BREAK SHARP EDGES AND CORNERS .005 MAXIMUM, UNLESS OTHERWISE SPECIFIED.
3. UNLESS OTHERWISE SPECIFIED, ALL DIMENSIONS ARE AFTER PLATING.
4. PLATING MUST CONFORM TO AMPHENOL SPEC 349-50560.
5. BULKPACK 130 PCS. PER POLY BAG.

31-10495-1		REVISIONS			
DRAWING NO.	REV	DESCRIPTION	DATE	ECO	APPR
THIRD ANGLE PROJ.	A	OFFICIAL ENG. RELEASE TO MFG.	12-19-96	41700	CPM/ <i>99</i>



375-32UNEF-2B THREAD (AFTER PLT.), REFER TO AMPHENOL SPEC ST-300-1 FOR BEFORE PLT DIM'S. CHAMFER FIRST & LAST THREAD 35°/30° TO MAJOR DIA FROM MINOR DIA



SURFACE AREA = .58212 SQ. IN.

31-10495-NA	130	1	HEX NUT	NOTE 4
PART NUMBER	QTY	ITEM	DESCRIPTION	FINISH

UNLESS OTHERWISE SPECIFIED, DIMENSIONS ARE IN INCHES AND TOLERANCES ARE:  
 2 PLACE DECIMAL ±.015 (0,381 mm)  
 3 PLACE DECIMAL ±.005 (0,127 mm)  
 ANGLES ± 1'

NOTICE - These drawings, specifications, or other data (1) are, and remain the property of Amphenol Corp. (2) must be returned upon request; and (3) are confidential and not to be disclosed to any person other than those to whom they are given by Amphenol Corp. The furnishing of these drawings, specifications, or other data by Amphenol Corp., or to any other person to anyone for any purpose is not to be regarded by implication or otherwise in any manner licensing, granting rights or permitting such holder or any other person to manufacture, use or sell any product, process or design, patented or otherwise, that may in any way be related to or disclosed by said drawings, specifications, or other data.

MATERIAL  
 BRASS  
 QQ-B-626  
 COMP 360, 1/2 H

REFERENCE

DRAWN  
 C. McGRATH  
 DATE  
 12/19/96

ENGINEER  
 J. DEL NEGRO  
 DATE  
 12/19/96

APPROVED  
*J. Del Negro*  
 DATE  
 12-17-96

CAD FILE  
 H:\DEPT611\HARD\HNUT\031\10495-1

TITLE  
 HEX NUT  
 130 PC BULKPACKED

**Amphenol**  
 Amphenol Corporation  
 RF/Microwave Operations  
 Danbury, Conn. U.S.A. 06810

SCALE: 5:1 SHEET OF

CODE ID	DWG SIZE	DRAWING NO.	ISSUE
74868	B	31-10495-1	A

## X-ON Electronics

Largest Supplier of Electrical and Electronic Components

*Click to view similar products for [Screws & Fasteners](#) category:*

*Click to view products by [Amphenol](#) manufacturer:*

Other Similar products are found below :

[5721-1440-1/4-SS](#) [593503FX](#) [0098.0094](#) [0098.9206](#) [0098.9219](#) [0098.9262](#) [596-2114-013](#) [59781-6](#) [0098.0026](#) [0098.9210](#) [0098.9212](#) [60227-01](#) [60227-04](#) [60227-08](#) [60687-01](#) [LOCK WASHER Black](#) [62153-03](#) [62153-11](#) [M316-KSSTMCZ100](#) [M3440-SS](#) [M3442-SS](#) [M3448-SS](#) [6292-1](#) [6-306105-9](#) [6-306131-4](#) [690432-1](#) [699161-000](#) [7230-3](#) [7244](#) [7248-1](#) [7248-2](#) [745564-1](#) [F1209](#) [751-00001](#) [7680](#) [809704-1](#) [8700](#) [8860220](#) [9047](#) [9521](#) [992326-6](#) [992763-3](#) [1-18024-0](#) [1-18028-2](#) [A168P1](#) [A495P1](#) [1-24921-1](#) [125416-1](#) [1260](#) [13-0036](#) [1301810148](#)