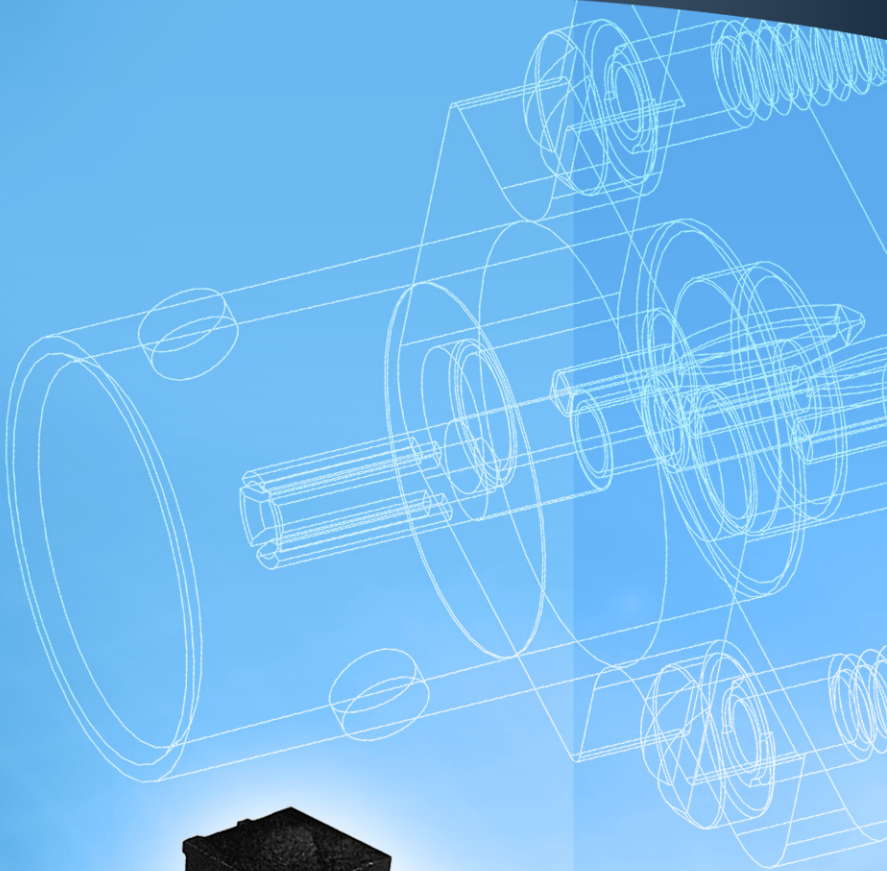


6
Z
B



BNC Connectors



BNC Connectors

Description

Developed in the late 1940's as a miniature version of the Type C connector, BNC stands for Bayonet Neill Concelman and is named after Amphenol engineer Carl Concelman. The BNC product line is a miniature quick connect/disconnect RF connector. It features two bayonet lugs on the female connector; mating is achieved with only a quarter turn of the coupling nut. BNC's are ideally suited for cable termination for miniature to subminiature coaxial cable (RG-58, 59, to RG-179, RG-316, etc.)

Amphenol 50 Ω BNC connectors are miniature, lightweight units useable up to 11 GHz and typically yield low reflection through 4 GHz. Designed to accommodate a large variety of RG and industry standard cables, BNC connectors are available in crimp/crimp, clamp/solder, SURETWIST[®], and field serviceable termination styles. A full line of printed circuit board receptacles, bulkhead receptacles, resistor terminations, and other accessories complement the product offering.

A variety of our 50 Ω BNC connectors are recognized under the Component program of Underwriter's Laboratories, Inc. These connectors are ideal for use with medical equipment and test instrumentation where safety cannot be compromised.

Amphenol also offers a full line of 75 Ω BNC connectors to meet the needs for higher performance impedance-matched cable interconnections. These connectors can be used in a variety of applications where true 75 Ω performance is needed to insure low signal distortion. Designed for the most popular 75 Ω cables used in broadcast and telecommunications applications as well as for plenum and other cables, these connectors feature crimp-crimp cable affixment for quick and reliable installation.

Part numbers that are listed with the appropriate M39012 number are military grade connectors produced in accordance with and actively qualified to the military specification MIL-C-39012. Connectors not listed with the M39012 number constitute the industrial grade product offering. These connectors provide comparable performance and generally feature nickel-plated brass bodies, Teflon insulators, and either gold or silver-plated center contacts. Amphenol's commercial grade connector offering carries the part number designation "RFX" for easy recognition. These low-cost connectors typically utilize die cast and molded components.

Reverse Polarity BNC's are also available. Reverse polarity is a keying system accomplished with a reverse interface, and ensures that reverse polarity interface connectors do not mate with standard interface connectors. Amphenol accomplishes this by inserting female contacts into plugs and male contacts into jacks. Other manufacturers may use reverse threading to accomplish reverse polarity keying.

Features/Benefits

- Bayonet coupling mechanism provides quick mating and unmating
- 50 Ω and 75 Ω impedance designs allow customers to match system requirements
- 50 Ω and 75 Ω connectors are intermateable
- Four grades of connectors are available for military, industrial, commercial and performance applications

Applications

- Antennas
- Base Stations
- Broadcast
- Cable Assemblies
- Computers/LANs
- Radios
- Satellite Communications
- Surge Protection
 - Telecom
- Instrumentation
- Oscilloscopes
- Medical Equipment

50 Ω BNC Specifications

Electrical

| | |
|---------------------------------|--|
| Impedance | 50 Ω nominal |
| Frequency range | DC - 4 GHz (usable to 11 GHz) |
| VSWR | 1.3 max. @ DC - 4 GHz (straight) 1.35 max. @ DC - 4 GHz (right-angle) |
| RF-leakage | 55 dB minimum @ 3 GHz |
| Voltage rating (at sea level) | ≥ 500 V peak (depending on cable) |
| Contact resistance | center contact: ≤ 1.5 mΩ outer contact: ≤ 0.2 mΩ braid to body: ≤ 0.1 mΩ |
| Insulation resistance | 5,000 MΩ minimum |
| Insertion loss maximum | 0.2 dB max. @ 3 GHz |
| Dielectric withstanding voltage | 1,500 Vrms (at sea level) |

Mechanical

| | |
|-----------------------------------|--|
| Mating | 2-stud bayonet lock coupling (MIL-STD-348) |
| Attachment method (inner / outer) | Crimp, clamp |
| Coupling torque, min./max. | 0.6 / 2.5 in-lbs (7 / 28 N-cm) |
| Coupling nut retention force | 101 lbs (450N) min. |
| Center contact retention force | ≥ 6.1 lbs (27N) |
| Braid/Jacket cable affixment | Hex crimp or screw-threaded clamps |
| Center conductor cable affixment | Crimp or solder |
| Engagement force | ≤ 5 lbs (22N) |
| Disengagement force | ≥ 1.5 lbs (7N) |
| Durability (matings) | 500 cycles minimum |

Environmental

| | |
|-------------------------|--|
| Temperature range | -65°C to +165°C |
| - copolymer of styrene: | -55°C to +85°C |
| Hermetic seals | Helium leak test, 2 x 10 ⁻⁸ cc/sec. |
| Thermal shock | MIL-STD-202, method 102, cond. D |
| Moisture resistance | MIL-STD-202, method 106 |
| Corrosion | MIL-STD-202, method 101, cond. B |
| Vibration | MIL-STD-202, method 204, cond. D |
| Mechanical shock | MIL-STD-202, method 202 |
| Altitude | MIL-STD-202, method 105, cond. C |

Note: These characteristics are typical but may not apply to all connectors.

50 Ω BNC Specifications (continued)

Material

Body and outer contacts
Male contact
Female contact
Crimp ferrule
Other metal parts
Insulator
Gasket

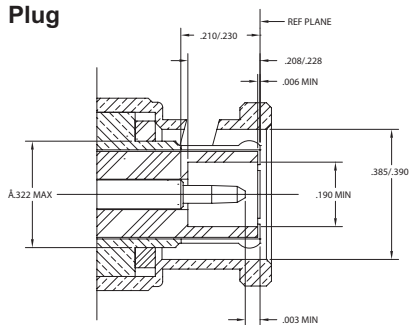
Brass, nickel plated
Brass, gold plated
Beryllium copper or phosphor bronze, gold or silver plated
Copper or brass, nickel plated
Brass, nickel plated (except M39012 silver plated)
PTFE, copolymer of styrene, glass TFE (hermetically sealed)
Silicone rubber

Military

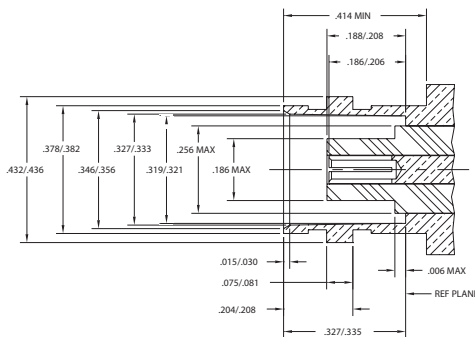
MIL-C-39012

where applicable

Plug



Jack



75 Ω BNC Specifications

Electrical

Impedance
Frequency range

75 Ω nominal
Type 1: DC – 4 GHz (performance grade useable to 6 GHz)
Type 2: DC – 1 GHz

VSWR

Type 1: 1.5 + 0.1 f (GHz) DC – 4 GHz
Type 1 (Performance grade): 1.16 max. @ DC – 3 GHz
Type 2: 1.0 + 0.25 f (GHz) DC – 1 GHz

RF-leakage
Voltage rating (at sea level)
Contact resistance

55 dB minimum @ 3 GHz
≥ 500 Vrms (depending on cable)
center contact: ≤ 1.5 mΩ
outer contact: ≤ 0.2 mΩ
braid to body: ≤ 0.1 mΩ

Insulation resistance
Insertion loss maximum
Dielectric withstanding voltage

5,000 MΩ minimum
0.2 dB max. @ 3 GHz
1,500 Vrms (at sea level)

Mechanical

| | |
|-----------------------------------|--|
| Mating | 2-stud bayonet lock coupling (MIL-STD-348) |
| Attachment method (inner / outer) | Crimp, clamp |
| Coupling torque, min./max. | 0.6 / 2.5 in-lbs (7 / 28 N-cm) |
| Coupling nut retention force | 101 lbs (450N) min. |
| Center contact retention force | ≥ 6.1 lbs (27N) |
| Braid/Jacket cable affixment | Hex crimp |
| Center conductor cable affixment | Crimp or solder |
| Engagement force | ≤ 5 lbs (22N) |
| Disengagement force | ≥ 1.5 lbs (7N) |
| Durability (matings) | 500 cycles minimum |

Environmental

| | |
|---------------------|----------------------------------|
| Temperature range | -65°C to +165°C |
| Thermal shock | MIL-STD-202, method 102, cond. D |
| Moisture resistance | MIL-STD-202, method 106 |
| Corrosion | MIL-STD-202, method 101, cond. B |
| Vibration | MIL-STD-202, method 204, cond. D |
| Mechanical shock | MIL-STD-202, method 202 |
| Altitude | MIL-STD-202, method 105, cond. C |

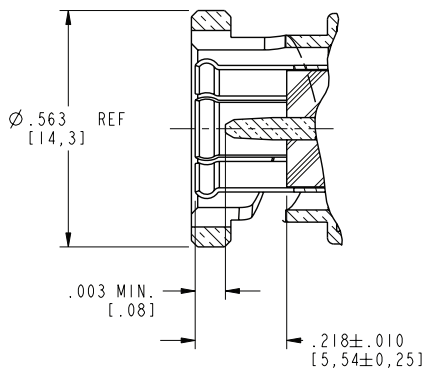
Material

| | |
|-------------------------|--|
| Body and outer contacts | Brass or phosphor bronze, nickel plated |
| Male contact | Brass, gold plated |
| Female contact | Beryllium copper or phosphor bronze, silver or gold plated |
| Crimp ferrule | Copper or brass, nickel plated |
| Other metal parts | Brass, nickel plated |
| Insulator | PTFE |
| Gasket | Silicone rubber |

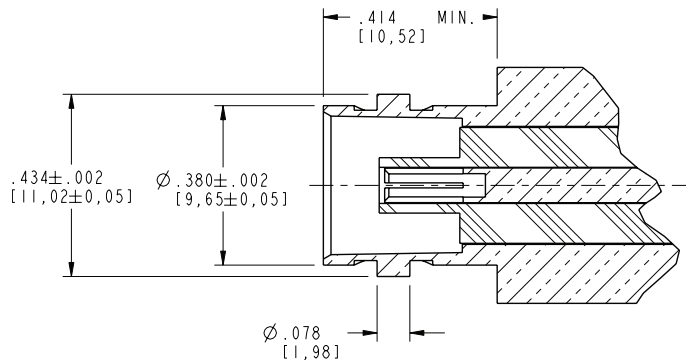
Military

| | |
|-------------|------------------|
| MIL-C-39012 | where applicable |
|-------------|------------------|

Plug



Jack



Note: These characteristics are typical but may not apply to all connectors.

50Ω Cable Connectors

Straight Crimp Plugs



| Cable Group | Part Number | Plating | | Termination | | Grade |
|-------------|-----------------|---------|---------|-------------|---------|------------|
| | | Body | Contact | Body | Contact | |
| B | 031-315 | Nickel | Gold | Crimp | Crimp | Industrial |
| B | 031-315-RFX | Nickel | Gold | Crimp | Crimp | Commercial |
| B1 | 031-242 | Nickel | Gold | Crimp | Crimp | Industrial |
| B1 | 031-242-RFX | Nickel | Gold | Crimp | Crimp | Commercial |
| B2 | 031-315-1005 | Nickel | Gold | Crimp | Crimp | Industrial |
| C | 031-320 | Nickel | Gold | Crimp | Crimp | Industrial |
| C | 031-320-RFX | Nickel | Gold | Crimp | Crimp | Commercial |
| C | 031-4320 (QPL) | Silver | Gold | Crimp | Crimp | Industrial |
| C | 031-5800 | Nickel | Gold | Crimp | Solder | Commercial |
| C1 | 031-326 | Nickel | Gold | Crimp | Crimp | Industrial |
| C1 | 031-326-RFX | Nickel | Gold | Crimp | Crimp | Commercial |
| C1 | 031-4427 (QPL) | Silver | Gold | Crimp | Crimp | Industrial |
| D | 031-320-1006 | Nickel | Gold | Crimp | Crimp | Industrial |
| E | 031-321 | Nickel | Gold | Crimp | Solder | Industrial |
| E | 031-321-RFX | Nickel | Gold | Crimp | Crimp | Commercial |
| E | 031-4321 (QPL) | Silver | Gold | Crimp | Crimp | Industrial |
| E | 031-5900 | Nickel | Gold | Crimp | Solder | Commercial |
| E | 000-68175-1005 | Nickel | Gold | Crimp | Crimp | Industrial |
| E | 000-68175-11RFX | Nickel | Gold | Crimp | Crimp | Commercial |
| E1 | 000-68175-5RFX | Nickel | Gold | Crimp | Crimp | Commercial |
| E2 | 031-321-1000 | Nickel | Gold | Crimp | Crimp | Industrial |
| F | 000-68175-1003 | Nickel | Gold | Crimp | Crimp | Industrial |
| G2 | 031-5999-RFX | Nickel | Gold | Crimp | Crimp | Commercial |
| G2 | 031-6006 | Nickel | Gold | Crimp | Crimp | Commercial |
| G3 | 031-5998-RFX | Nickel | Gold | Crimp | Crimp | Commercial |
| H2 | 031-4411 | Nickel | Gold | Crimp | Crimp | Industrial |
| K3 | 031-325 | Nickel | Gold | Crimp | Crimp | Industrial |

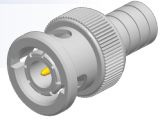
Angle Crimp Plugs



| Cable Group | Part Number | Plating | | Termination | | Grade |
|-------------|--------------|---------|---------|-------------|---------|------------|
| | | Body | Contact | Body | Contact | |
| B | 031-316 | Nickel | Gold | Crimp | Crimp | Industrial |
| C | 031-335 | Nickel | Gold | Crimp | Crimp | Industrial |
| C | 031-335-RFX | Nickel | Gold | Crimp | Crimp | Commercial |
| E | 031-336 | Nickel | Gold | Crimp | Crimp | Industrial |
| E | 031-336-RFX | Silver | Gold | Crimp | Crimp | Commercial |
| G2 | 031-6005-RFX | Nickel | Gold | Crimp | Solder | Commercial |
| G3 | 031-6004-RFX | Nickel | Gold | Solder | Crimp | Commercial |

Press Fit Plugs

| Cable Group | Part Number | Plating | | Termination | | Grade |
|-------------|--------------|---------|---------|-------------|-----------|------------|
| | | Body | Contact | Body | Contact | |
| C | 031-5557-RFX | Nickel | Gold | Crimp | Press Fit | Commercial |
| D | 031-5559-RFX | Nickel | Gold | Crimp | Press Fit | Die Cast |
| E | 031-5556-RFX | Nickel | Gold | Crimp | Press Fit | Commercial |
| G1 | 031-5558-RFX | Nickel | Gold | Crimp | Press Fit | Commercial |



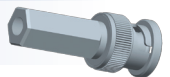
Straight Clamp Plugs

| Cable Group | Part Number | Plating | | Termination | | Grade |
|-------------|----------------|---------|---------|-------------|---------|------------|
| | | Body | Contact | Body | Contact | |
| A | 000-15875 | Nickel | Silver | Clamp | Solder | Industrial |
| B | 000-69475 | Nickel | Silver | Clamp | Solder | Industrial |
| C | 031-202 | Nickel | Silver | Clamp | Solder | Industrial |
| C | 031-2-RFX | Nickel | Gold | Clamp | Solder | Commercial |
| C | 031-3301 (QPL) | Silver | Gold | Clamp | Solder | Industrial |
| E | 031-212 | Nickel | Silver | Clamp | Solder | Industrial |
| E | 031-212-1005 | Nickel | Silver | Clamp | Solder | Industrial |
| E | 031-212-RFX | Nickel | Gold | Clamp | Solder | Commercial |
| E | 031-3302 (QPL) | Silver | Gold | Clamp | Solder | Industrial |
| G4 | 000-6775 | Nickel | Silver | Clamp | Solder | Industrial |



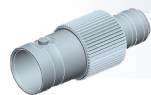
Sure Twist® Plugs

| Cable Group | Part Number | Plating | | Termination | | Grade |
|-------------|--------------|---------|-----------|-------------|---------|------------|
| | | Body | Contact | Body | Contact | |
| C | 031-5137 | Nickel | Tin | Twist On | | Industrial |
| C | 031-5137-RFX | Nickel | Gold | Twist On | | Commercial |
| E | 031-5136 | Nickel | Matte Tin | Twist On | | Industrial |
| E | 031-5136-RFX | Nickel | Gold | Twist On | | Commercial |



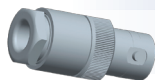
50Ω Cable Connectors (continued)

Straight Crimp Jacks



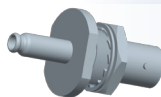
| Cable Group | Part Number | Plating | | Termination | | Grade |
|-------------|----------------|---------|---------|-------------|---------|------------|
| | | Body | Contact | Body | Contact | |
| B | 031-317 | Nickel | Gold | Crimp | Crimp | Industrial |
| C | 031-4327 (QPL) | Silver | Gold | Crimp | Crimp | Industrial |
| C | 000-36800-RFX | Nickel | Gold | Crimp | Crimp | Commercial |
| C | 000-36800 | Nickel | Gold | Crimp | Crimp | Industrial |

Straight Clamp Jacks



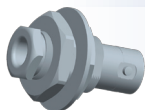
| Cable Group | Part Number | Plating | | Termination | | Grade |
|-------------|-------------|---------|---------|-------------|---------|------------|
| | | Body | Contact | Body | Contact | |
| C1 | 031-5 | Nickel | Gold | Clamp | Solder | Industrial |
| E | 031-15 | Nickel | Silver | Clamp | Solder | Industrial |

Straight Bulkhead Crimp Jacks



| Cable Group | Part Number | Plating | | Termination | | Grade |
|-------------|-------------|---------|---------|-------------|---------|------------|
| | | Body | Contact | Body | Contact | |
| B | 031-318 | Nickel | Gold | Crimp | Crimp | Industrial |
| B | 031-318-RFX | Nickel | Gold | Crimp | Crimp | Commercial |
| C | 031-342 | Nickel | Gold | Crimp | Crimp | Industrial |
| C | 031-342-RFX | Nickel | Gold | Crimp | Crimp | Commercial |
| E | 031-343-RFX | Nickel | Gold | Crimp | Solder | Commercial |

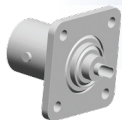
Straight Bulkhead Clamp Jacks



| Cable Group | Part Number | Plating | | Termination | | Grade |
|-------------|-------------|---------|---------|-------------|---------|------------|
| | | Body | Contact | Body | Contact | |
| C | 031-206 | Nickel | Silver | Clamp | Solder | Industrial |
| E | 031-207 | Nickel | Silver | Clamp | Solder | Industrial |
| B | 000-86350 | Nickel | Silver | Clamp | Solder | Industrial |

50Ω Receptacles

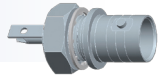
Straight Panel Jacks



| Part Number | Plating | | Terminal Type | Description | Grade |
|-------------|---------|---------|---------------|---------------------------------|------------|
| | Body | Contact | | | |
| 031-105 | Nickel | Silver | Solder Cup | 4-hole Square Flange .120" Dia. | Industrial |
| 031-203 | Nickel | Silver | Solder Cup | 4-hole Square Flange No. 3-56 | Industrial |
| 031-203-RFX | Nickel | Gold | Solder Cup | 4-hole Square Flange .125" Dia. | Commercial |
| 000-4500 | Nickel | Silver | Turret | 4-hole Square Flange .136" Dia. | Industrial |

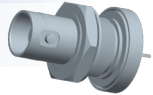
Front Mount Bulkhead Panel Jacks

| Part Number | Plating | | Terminal Type | Description | Grade |
|----------------|---------|---------|---------------|-------------|------------|
| | Body | Contact | | | |
| 031-10 | Nickel | Silver | Solder Cup | Isolated | Industrial |
| 031-10-RFX | Nickel | Silver | Solder Cup | Isolated | Commercial |
| 031-102 | Nickel | Silver | Solder Cup | Pressurized | Industrial |
| 031-221 | Nickel | Silver | Solder Cup | | Industrial |
| 031-221-RFX | Nickel | Gold | Solder Cup | | Commercial |
| 031-2221 | Nickel | Silver | Solder Cup | | Industrial |
| 031-236 | Nickel | Silver | Solder Cup | | Industrial |
| 031-239 | Nickel | Silver | Solder Cup | Pressurized | Industrial |
| 031-3376 (QPL) | Silver | Gold | Solder Cup | | Industrial |
| 031-4238 (QPL) | Silver | Gold | Eyelet | Hermetic | Industrial |
| 031-4890-1 | Silver | Silver | Solder Cup | Isolated | Industrial |



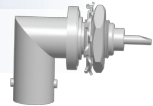
Rear Mount Bulkhead Panel Jacks

| Part Number | Plating | | Terminal Type | Description | Grade |
|---------------|---------|---------|---------------|----------------------|------------|
| | Body | Contact | | | |
| 031-237 (QPL) | Silver | Gold | Eyelet | Rear Mount, Hermetic | Industrial |



Angle Bulkhead Panel Jacks

| Part Number | Plating | | Terminal Type | Description | Grade |
|-------------|---------|---------|---------------|-----------------------|------------|
| | Body | Contact | | | |
| 031-222 | Nickel | Silver | Solder Cup | With Tooth Lockwasher | Industrial |



50Ω Printed Circuit Board Connectors

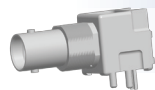
Straight Jacks

| Part Number | Plating | | Mounting Style | Grade | Description |
|----------------|---------|---------|-----------------------|------------|---|
| | Body | Contact | | | |
| 031-5633 | Nickel | Gold | Blunt Post | Industrial | |
| 031-5493-1010 | Nickel | Gold | Compliant Pin | Industrial | |
| 031-5633-1010 | Nickel | Gold | Compliant Pin | Industrial | |
| 000-18225 | Nickel | Silver | Blunt Post (Sq.) | Industrial | 4 Leg Post Terminal .040(1.0), Dia. X .125(3.2) Long |
| 031-5329 | Nickel | Gold | Blunt Post (Flush) | Industrial | 3 Leg Long Post Terminal .040(1.0), Dia. X .125(3.2) Long/.025(0.6) |
| 031-5329-51RFX | Nickel | Silver | Blunt Post (Lip) | Commercial | 4 Legs .176(4.5) Long/Post Terminal, .037(0.9) Dia |
| 031-5329-52RFX | Nickel | Gold | Blunt Post (Lip) | Commercial | 4 Legs .176(4.5) Long/Post Terminal, .037(0.9) Dia |



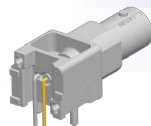
50Ω Printed Circuit Board Connectors (continued)

Angle Jacks



| Part Number | Plating | | Mounting Style | Grade | Description |
|----------------|---------|---------|----------------|------------|-----------------------|
| | Body | Contact | | | |
| 031-5640 | Nickel | Gold | Blunt Post | Industrial | |
| 031-5640-1010 | Nickel | Gold | Compliant Pin | Industrial | |
| 031-5431 | Nickel | Gold | Blunt Post | Industrial | |
| 031-5538-1010 | Nickel | Gold | Compliant Pin | Industrial | |
| 031-5431-1010 | Nickel | Gold | Compliant Pin | Industrial | White Plastic Housing |
| 031-5431-10RFX | Nickel | Gold | Compliant Pin | Commercial | White Plastic Housing |
| 031-5486-10RFX | Nickel | Gold | Compliant Pin | Commercial | White Plastic Housing |
| 031-5538 | Nickel | Gold | Blunt Post | Industrial | Black Plastic Housing |
| 031-5538-10RFX | Nickel | Gold | Compliant Pin | Commercial | Black Plastic Housing |

Low Profile Angle Jacks



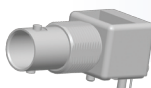
| Part Number | Body | Plating | | Mounting Style | Grade |
|---------------|--------|---------|---------------|----------------|-------|
| | | Contact | Grade | | |
| 031-5637 | Nickel | Gold | Blunt Post | Industrial | |
| 031-5540-1010 | Nickel | Gold | Compliant Pin | Industrial | |

Straight Bulkhead Jacks



| Part Number | Body | Plating | | Description | Grade |
|---------------|--------|---------|----------------|-----------------------|------------|
| | | Contact | Mounting Style | | |
| 031-5493 | Nickel | Gold | Blunt Post | White Plastic Housing | Industrial |
| 031-5539 | Nickel | Gold | Blunt Post | Black Plastic Housing | Industrial |
| 031-5539-1010 | Nickel | Gold | Blunt Post | Black Plastic Housing | Industrial |

Low Profile Angle Bulkhead Jacks



| Part Number | Body | Plating | | Description | Grade |
|---------------|--------|---------|----------------|-----------------------|------------|
| | | Contact | Mounting Style | | |
| 031-5486 | Nickel | Gold | Blunt Post | White Plastic Housing | Industrial |
| 031-5486-1010 | Nickel | Gold | Compliant Pin | White Plastic Housing | Industrial |
| 031-5540 | Nickel | Gold | Blunt Post | Black Plastic Housing | Industrial |

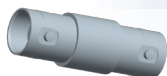
50Ω Adapters

Straight Plug-Plug



| Part Number | Body | Plating | | Description | Grade |
|-------------|--------|---------|---------------------|-------------|-------|
| | | Contact | Grade | | |
| 031-218 | Nickel | Silver | Straight, Plug-Plug | Industrial | |
| 031-218-RFX | Nickel | Gold | Straight, Plug-Plug | Commercial | |

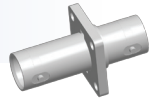
Straight Jack-Jack



| Part Number | Body | Plating | | Grade |
|-------------|--------|---------|------------|-------|
| | | Contact | Grade | |
| 031-219 | Nickel | Silver | Industrial | |
| 031-219-RFX | Nickel | Silver | Commercial | |

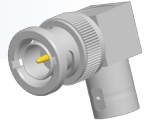
Straight Jack-Jack, Panel Mount

| Part Number | Body | Plating | | Grade |
|-------------|--------|---------|------------|-------|
| | | Contact | Grade | |
| 000-47000 | Nickel | Gold | Industrial | |



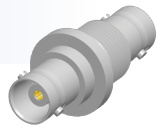
Angle Jack-Plug

| Part Number | Body | Plating | | Grade |
|-------------|--------|---------|------------|-------|
| | | Contact | Grade | |
| 031-9 | Nickel | Silver | Industrial | |
| 031-9-RFX | Nickel | Gold | Commercial | |



Straight Jack-Jack Bulkhead Adapters

| Part Number | Body | Plating | | Description | Grade |
|--------------|--------|---------|------------|---------------|------------|
| | | Contact | Grade | | |
| 031-220G-RFX | Nickel | Gold | Commercial | Gasket Sealed | Commercial |
| 031-220H | Nickel | Silver | Industrial | Pressurized | Industrial |
| 031-220N | Nickel | Silver | Industrial | | Industrial |
| 031-220N-RFX | Nickel | Gold | Commercial | | Commercial |
| 031-3220 | Silver | Silver | Industrial | Pressurized | Industrial |



T- Adapters

| Part Number | Body | Plating | | Description | Grade |
|-------------|--------|---------|------------|----------------|------------|
| | | Contact | Grade | | |
| 000-21900 | Nickel | Silver | Industrial | Plug-Jack-Jack | Industrial |
| 031-208 | Nickel | Silver | Industrial | Jack-Plug-Jack | Industrial |
| 031-208-RFX | Nickel | Gold | Commercial | Jack-Plug-Jack | Commercial |



50Ω Reverse Polarity Connectors

Straight Cable Plugs

| Part Number | Plating | | Termination | | Grade |
|-------------|---------|---------|-------------|---------|------------|
| | Body | Contact | Body | Contact | |
| 031-5705 | Nickel | Gold | Crimp | Crimp | Commercial |
| 031-5787-T | Nickel | Gold | Crimp | Crimp | Commercial |
| 031-6034 | Nickel | Gold | Crimp | Crimp | Commercial |
| 031-6032 | Nickel | Gold | Crimp | Crimp | Commercial |
| 031-6035 | Nickel | Gold | Crimp | Crimp | Commercial |
| 031-6036 | Nickel | Gold | Crimp | Crimp | Commercial |

75Ω Cable Connectors

Straight Crimp-Crimp Plugs



| Cable Group | Part Number | Plating | | Type | Grade |
|-------------|----------------|---------|---------|------|------------|
| | | Body | Contact | | |
| B | 031-71013 | Nickel | Gold | 2 | Industrial |
| B1 | 031-70013 | Nickel | Gold | 1 | Industrial |
| B1 | 031-71013-RFX | Nickel | Gold | 2 | Commercial |
| E | 031-70008 | Nickel | Gold | 1 | Industrial |
| E | 031-71008 | Nickel | Gold | 2 | Industrial |
| E | 031-71008-RFX | Nickel | Gold | 2 | Commercial |
| E | 031-71032 | Nickel | Gold | 2 | Industrial |
| E1 | 031-70008-3000 | Nickel | Gold | 1 | Industrial |
| E1 | 031-71008-1000 | Nickel | Gold | 2 | Industrial |
| E1 | 031-71008-1RFX | Nickel | Gold | 2 | Commercial |
| E2 | 031-70235 | Nickel | Gold | 1 | Industrial |
| E3 | 031-71066 | Nickel | Gold | 2 | Industrial |
| F | 031-71008-2000 | Nickel | Gold | 2 | Industrial |
| G1 | 031-70000 | Nickel | Gold | 1 | Industrial |
| H1 | 031-70234 | Nickel | Gold | 1 | Industrial |
| H1 | 031-71000-RFX | Nickel | Gold | 2 | Commercial |
| H3 | 031-71065 | Nickel | Gold | 2 | Industrial |
| I | 031-70237 | Nickel | Gold | 1 | Industrial |
| I2 | 031-70238 | Nickel | Gold | 1 | Industrial |
| K3 | 031-70236 | Nickel | Gold | 1 | Industrial |
| K3, I2 | 031-71033 | Nickel | Gold | 2 | Industrial |

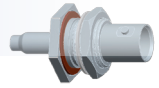
Angle Crimp-Crimp Plugs



| Cable Group | Part Number | Plating | | Type | Grade |
|-------------|-------------|---------|---------|------|------------|
| | | Body | Contact | | |
| I | 031-70239 | Nickel | Gold | 2 | Industrial |
| I2 | 031-70240 | Nickel | Gold | 1 | Industrial |

Bulkhead Crimp-Crimp Jacks

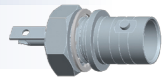
| Cable Group | Part Number | Plating | | Type | Grade |
|-------------|---------------|---------|---------|------|------------|
| | | Body | Contact | | |
| B1 | 031-71016-RFX | Nickel | Gold | 2 | Commercial |
| E | 031-71011-RFX | Nickel | Gold | 2 | Commercial |



75Ω Receptacles

Bulkhead Solder Cup Jacks

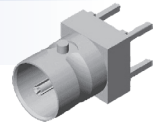
| Part Number | Plating | | Terminal Type | Type | Grade |
|---------------|---------|---------|---------------|------|------------|
| | Body | Contact | | | |
| 031-10-75 | Nickel | Gold | Solder Cup | 2 | Commercial |
| 031-221-75RFX | Nickel | Gold | Solder Cup | 2 | Commercial |
| 031-70018 | Gold | Nickel | Solder Cup | 1 | Industrial |
| 031-71004 | Nickel | Gold | Solder Cup | 2 | Commercial |



75Ω Printed Circuit Board Connectors

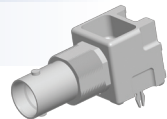
Straight Jacks

| Part Number | Plating | | Mounting Style | Type | Grade |
|----------------|---------|---------|------------------------|------|------------|
| | Body | Contact | | | |
| 031-71045-1010 | Nickel | Gold | Compliant Pin | 2 | Industrial |
| 031-71058 | Nickel | Gold | Blunt Post | 2 | Industrial |
| 031-71062 | Nickel | Gold | Thru-Hole (Blunt Post) | 2 | Industrial |
| 031-6009 | Nickel | Gold | Edge | 2 | Industrial |
| 031-70040-100T | Nickel | Gold | Blunt Post | 1 | Industrial |



Angle Jacks

| Part Number | Plating | | Mounting Style | Type | Grade |
|-----------------|---------|---------|---------------------------|------|------------|
| | Body | Contact | | | |
| 031-71043 | Nickel | Gold | Blunt Post | 2 | Industrial |
| 031-71043-1010 | Nickel | Gold | Compliant Pin | 2 | Industrial |
| 031-71052 | Nickel | Gold | Blunt Post | 2 | Industrial |
| 031-71052-10RFX | Nickel | Nickel | Compliant Pin, Blunt Post | 2 | Commercial |
| 031-71053 | Nickel | Gold | Blunt Post | 2 | Industrial |
| 031-71053-1010 | Nickel | Gold | Compliant Pin | 2 | Industrial |



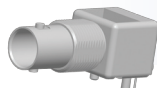
75Ω Printed Circuit Board Connectors (continued)

Straight Bulkhead Jacks



| Part Number | Plating | | Mounting Style | Type | Grade |
|----------------|---------|---------|----------------|------|------------|
| | Body | Contact | | | |
| 031-71059 | Nickel | Gold | Blunt Post | 2 | Industrial |
| 031-71059-1010 | Nickel | Gold | compliant Pin | 2 | Industrial |

Angle Bulkhead Jacks



| Part Number | Plating | | Mounting Style | Type | Grade |
|----------------|---------|---------|----------------|------|------------|
| | Body | Contact | | | |
| 031-71042 | Nickel | Gold | Blunt Post | 2 | Industrial |
| 031-71047-1010 | Nickel | Gold | compliant Pin | 2 | Industrial |
| 031-70221 | Nickel | Gold | Blunt Post | 1 | Industrial |

75Ω Adapters

Straight Plug-Plug



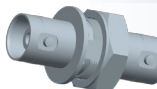
| Part Number | Plating | | Type | Grade |
|---------------|---------|---------|------|------------|
| | Body | Contact | | |
| 031-218-75RFX | Nickel | Gold | 2 | Commercial |

Straight Jack-Jack



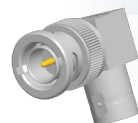
| Part Number | Plating | | Type | Grade |
|-------------|---------|---------|------|------------|
| | Body | Contact | | |
| 031-70019 | Nickel | Gold | 1 | Industrial |
| 031-220N-75 | Nickel | Gold | 2 | Industrial |

Straight Bulkhead Jack-Jack



| Part Number | Plating | | Description | Type | Grade |
|----------------|---------|---------|--------------|------|------------|
| | Body | Contact | | | |
| 031-220N-75RFX | Nickel | Gold | Not Gasketed | 2 | Commercial |
| 031-4803-75 | Nickel | Gold | Isolated | 2 | Industrial |
| 031-70020 | Nickel | Gold | Gasketed | 1 | Industrial |
| 031-219-75 | Nickel | Gold | | 2 | Commercial |

Angle Jack-Plug



| Part Number | Plating | | Type | Grade |
|-------------|---------|---------|------|------------|
| | Body | Contact | | |
| 031-9-75 | Nickel | Gold | 2 | Industrial |
| 031-9-75RFX | Nickel | Gold | 2 | Commercial |

T- Adapters



| Part Number | Plating | | Type | Grade |
|-------------|---------|---------|------|------------|
| | Body | Contact | | |
| 031-70036 | Nickel | Gold | 1 | Industrial |

Accessories

Terminations

| Part Number | Plating | | Description | Grade |
|-----------------|---------|---------|---|------------|
| | Body | Contact | | |
| 000-46650-51 | Nickel | Silver | Male Cap, Resistor Terminated, 50 Ω | Industrial |
| 000-46650-51RFX | Nickel | Gold | Male Cap, Resistor Terminated, 1% 1 watt, 50 Ω | Commercial |
| 000-46650-75RFX | Nickel | Gold | Male Cap, Resistor Terminated, 1% 1 watt, 75 Ω | Commercial |
| 000-46650-93RFX | Nickel | Gold | Male Cap, Resistor Terminated, 1% 1 watt, 90 Ω | Commercial |



Caps & Chains

| Part Number | Plating | | Description | Grade |
|--------------|---------|---------|---|------------|
| | Body | Contact | | |
| 000-35650-51 | Nickel | Gold | Cap & Chain, Resistor Terminated, 50 Ω | Industrial |
| 000-35650-75 | Nickel | Gold | Cap & Chain, Resistor Terminated, 75 Ω | Industrial |
| 031-17 | Nickel | Silver | Male Shorting Cap & Chain | Industrial |
| 031-6 | Nickel | N/A | Cap & Chain | Industrial |
| 031-6-RFX | Nickel | N/A | Cap & Chain | Commercial |



Miscellaneous Accessories

| Part Number | Plating | Quantity | Description | Grade |
|---------------|---------|------------|--------------------------------------|------------|
| 031-759 | Nickel | Pkg. of 25 | Shield Grounding Lug | Commercial |
| 031-10152-RFX | Nickel | Pkg. of 25 | Toothed Grounding Lug | Commercial |
| 031-5663 | N/A | 1 ea. | 4.8" x Diameter 1.3" piece of velcro | Industrial |
| 000-5275 | Nickel | 1 ea. | Shorting Plug less chain | Industrial |



| Cable Group | Cable Type |
|-------------|--|
| A | RG-178, 196 |
| B | RG-174, 188A, 316, Belden 7805 |
| B1 | RG-179, 187, Belden 9221 |
| B2 | RD-188/U, RD-316/U |
| B3 | RD-179/U, AT&T 19224L2 |
| C | RG-58, 58A, 58C, 141, 303, LMR195, Belden 7806A, 9907 |
| C1 | RG-55, 142, 223, 400 |
| C2 | LMR200, Belden 7807A |
| D | RG-58/U Plenum, Thinnet, RG-122/U, Belden 88240, 89907 |
| E | RG-59, 62, 140, 210, Belden 8241, 8263, 8279, 9209 |
| E1 | RG-59/U 20 AWG center conductor, Belden 1426A, 1505A, 9100, 9278 |
| E2 | RD-59/U, Belden 8281, 9141, 9231 |
| E3 | RG-59/U Quad Shield, Belden 1152A |
| F | RG-59/U Plenum, Belden 1560A, 9259, 82259, 89259, 88241 |
| F1 | RG-59/U Plenum 20 AWG center conductor, Belden 82108 |
| G1 | RG-6, 143, 212 |
| G2 | 8X, LMR240, Belden 7808A, 9258 |
| G3 | LMR400, Belden 7810A, 8214, 9913 |
| G4 | RG-8, 8A, 9, 87A, 213, 214, 225, 393 |
| G5 | RD-6/U |
| H | RG-11 |
| H1 | Belden 1694A, 9248 |
| H2 | Belden 1859A, 7731, 8213, 9292 |
| H3 | RG-54A/U |
| I | AT&T 734A, Belden 1505A |
| I2 | AT&T 735A, Belden 735A1 |
| J | Quad 59 headend cable |
| K | LMR600 |
| K2 | Belden 1695A |
| K3 | RG-122, 180, 195, Belden 1855, 1865A, 8218 |
| L | .141 semi-rigid, RG-402/U |
| L2 | .085, .086, .087 semi-rigid, RG-405/U |
| L3 | .250 semi-rigid |
| L4 | .047 semi-rigid, Belden 1674 |
| M | 1/2 inch annular corrugated |
| M1 | 1 1/4 inch annular corrugated |
| M2 | 1 5/8 inch annular corrugated |
| M3 | 7/8 inch annular corrugated |
| N | 1/4 Helical |
| N1 | 3/8 Helical |
| N2 | 1/2 Helical |
| N3 | 7/8 inch SFC |
| P1 | .81 mm OD micro-cable |
| P2 | 1.13 mm OD micro-cable, TCB-068 |
| P3 | 1.32 mm OD micro-cable |
| P4 | 1.37 mm OD micro-cable |

X-ON Electronics

Largest Supplier of Electrical and Electronic Components

Click to view similar products for [RF Connectors / Coaxial Connectors](#) category:

Click to view products by [Amphenol](#) manufacturer:

Other Similar products are found below :

[8915-1511-000](#) [89674-0827](#) [6001-7071-019](#) [6002-7051-003](#) [6002-7551-202](#) [6059674-1](#) [619550-1](#) [630059-000](#) [M39030/3-01N](#) [M3933/25-36N](#) [6500-7071-046](#) [6769](#) [CX050L2AQ](#) [7002-1542-011](#) [7004-1512-000](#) [7009-1511-004](#) [7010-1511-000](#) [7029-1511-060](#) [7101-1541-010](#) [7101-1571-002](#) [7105-1521-002](#) [7145-1521-002](#) [7203-1571-003](#) [7209-1511-011](#) [7210-1511-015](#) [7210-1511-019](#) [73137-5015](#) [73216-2241](#) [7325-1512-000](#) [73404-2300](#) [7405-1521-005](#) [7405-1521-802](#) [7406-1521-005](#) [8527](#) [8547](#) [FS11V](#) [8808-1511-001](#) [9049-9513-000](#) [9074-9513-000](#) [9101-9573-002](#) [910A205F](#) [9130-9573-002](#) [PL11SC-026](#) [PL375-33](#) [PL40-5](#) [PL71-9](#) [PL74C-221](#) [PL75MC-217](#) [PL803-7](#) [980-8666-005](#)