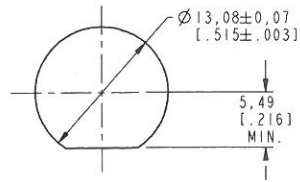


- NOTES:
- MATERIALS AND FINISHES:  
 BODY - BRASS, SILVER PLATING  
 CONTACT - BERYLLIUM COPPER, SILVER PLATING  
 CLAMP NUT - BRASS, NICKEL PLATING  
 LOCKWASHER - PHOSPHOR BRONZE, NICKEL PLATING  
 INSULATOR - PTFE
  - ELECTRICAL:  
 A. IMPEDANCE: 50 OHM
  - MECHANICAL:  
 A. DURABILITY: 500 CYCLES MIN.  
 B. TEMPERATURE RANGE: -65° C TO +165° C
  - PACKAGING:  
 A. QUANTITY: SINGLE PACK  
 B. MARKING: BAG TO BE MARKED  
 "AMPHENOL RF, 31-206, AND DATE CODE"
5. SHOWS CABLE ENTRY DIMENSIONS.  
 6. USED WITH RG-55/U AND RG-58/U CABLES.  
 7. CONTACT PIN SOLDER TO CABLE.

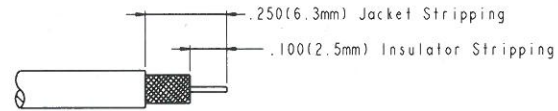


PANEL MOUNTING HOLE DETAIL

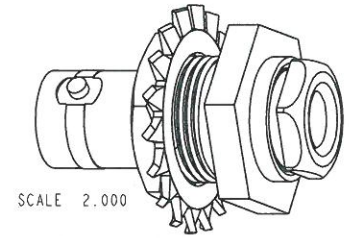
SCALE 2.000

THIRD ANGLE PROJ.

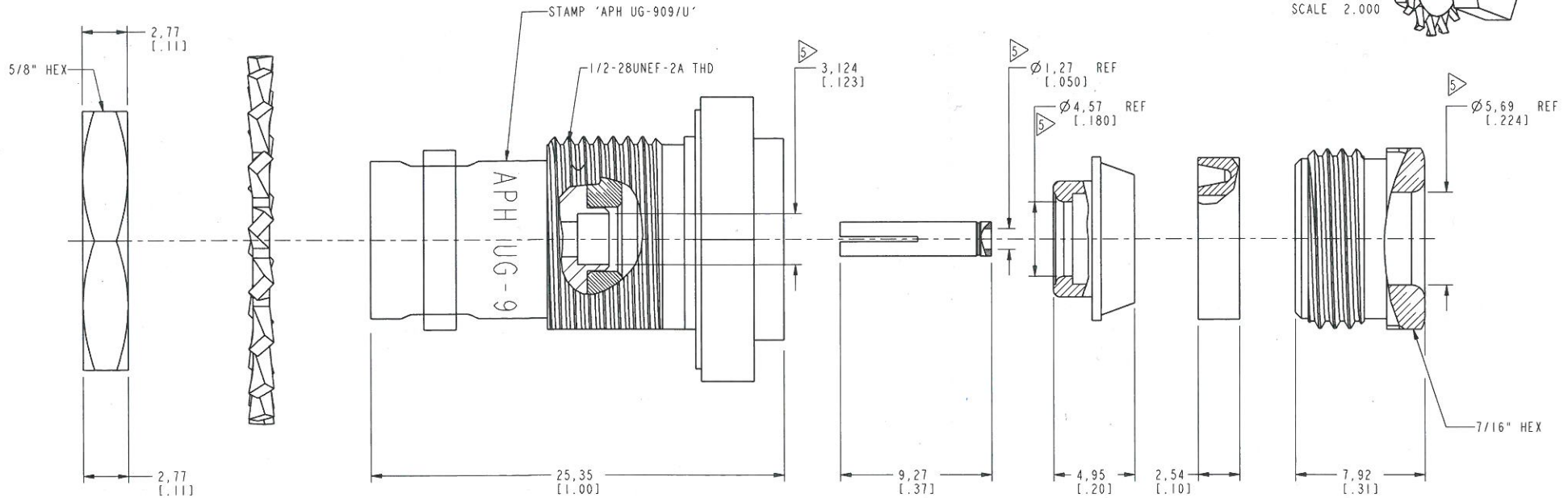
REVISIONS				
REV	DESCRIPTION	DATE	ECO	APPR
A	OFFICIAL RELEASE TO MFG.	06-Feb-53	2990	
T	REDRAWN IN PRO-E, ADDED DIMENSIONS	13-May-98	42332	JB/DR
U	ADD NOTE 8, CABLE ENTRY DIM'S, ITEM 3 TO NOTE 7, PKG BAG MARKING & REV LEVEL 'C' FOR MOTOROLA SPEC	20-Aug-98	42614	CPM/
V	SYNC DANBURY AND ARFA DRAWING	16-Sep-11	47675	MSA



RECOMMENDED STRIPPING LENGTH



SCALE 2.000



**CUSTOMER OUTLINE DRAWING**

ALL OTHER SHEETS ARE FOR INTERNAL USE ONLY

UNLESS OTHERWISE SPECIFIED, DIMENSIONS ARE IN METRIC AND TOLERANCES ARE:  
 <0.5mm ±0.05mm 0.5 - 6mm ±0.1mm 6 - 30mm ±0.2mm 30 - 120mm ±0.3mm ANGLES ±1°

NOTICE - These drawings, specifications, or other data (1) are, and remain the property of Amphenol Corp. (2) must be returned upon request; and (3) are confidential and not to be disclosed to any person other than those to whom they are given by Amphenol Corp. the furnishing of these drawings, specifications, or other data by Amphenol Corp., or to any other person to anyone for any purpose is not to be regarded by implication or otherwise in any manner licensing, granting rights to permitting such holder or any other person to manufacture, use or sell any product, process or design, patented or otherwise, that may in any way be related to or disclosed by said drawings, specifications, or other data.

MATERIAL	SEE NOTE	DRAWN	I. XU	DATE	23-Jun-11	TITLE BNC JACK BULKHEAD UG-909/U		Amphenol RF	
REFERENCE		ENGINEER	FJ MARSHAL	DATE	06-Feb-53			Donbury CT USA, Tainan, Taiwan, Shenzhen, China www.amphenolrf.com	
FINISH		APPROVED	S. HSIEH	DATE	23-Jun-11	SCALE: 4.0:1.0	SHEET 2 OF 2	DRAWING NO. 31-206	
		CAD FILE				DWG SIZE B	REV V	ITEM NO. 31-206	
								PART NO. 31-206	

## X-ON Electronics

Largest Supplier of Electrical and Electronic Components

*Click to view similar products for [RF Connectors / Coaxial Connectors](#) category:*

*Click to view products by [Amphenol](#) manufacturer:*

Other Similar products are found below :

[8915-1511-000](#) [89674-0827](#) [6001-7071-019](#) [6002-7051-003](#) [6002-7551-202](#) [6059674-1](#) [619550-1](#) [630059-000](#) [M39030/3-01N](#) [M3933/25-36N](#) [6500-7071-046](#) [6769](#) [CX050L2AQ](#) [7002-1542-011](#) [7004-1512-000](#) [7009-1511-004](#) [7010-1511-000](#) [7029-1511-060](#) [7101-1541-010](#) [7101-1571-002](#) [7105-1521-002](#) [7145-1521-002](#) [7203-1571-003](#) [7209-1511-011](#) [7210-1511-015](#) [7210-1511-019](#) [73137-5015](#) [73216-2241](#) [7325-1512-000](#) [73404-2300](#) [7405-1521-005](#) [7405-1521-802](#) [7406-1521-005](#) [8527](#) [8547](#) [FS11V](#) [8808-1511-001](#) [9049-9513-000](#) [9074-9513-000](#) [9101-9573-002](#) [910A205F](#) [9130-9573-002](#) [PL11SC-026](#) [PL375-33](#) [PL40-5](#) [PL71-9](#) [PL74C-221](#) [PL75MC-217](#) [PL803-7](#) [980-8666-005](#)