

NOTES:

1. MATERIALS AND FINISHES:

BODY- BRASS, NICKEL PLATING

CONTACT - BeCu, GOLD PLATING

CONTACT - BRASS, GOLD PLATING

INSULATOR - PTFE

2. ELECTRICAL:

A. IMPEDANCE: 50 OHM

B. DIELECTRIC WITHSTANDING VOLTAGE: 1500 VRMS, MIN.

3. MECHANICAL:

A. DURABILITY: 500 CYCLES MIN.

B. TEMPERATURE RANGE: -65°C TO +165°C.

4. PACKAGING:

A. QUANTITY: SINGLE PACK

B. MARKING: BAG TO BE MARKED

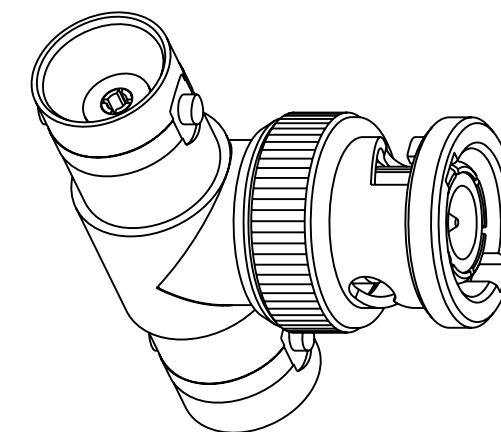
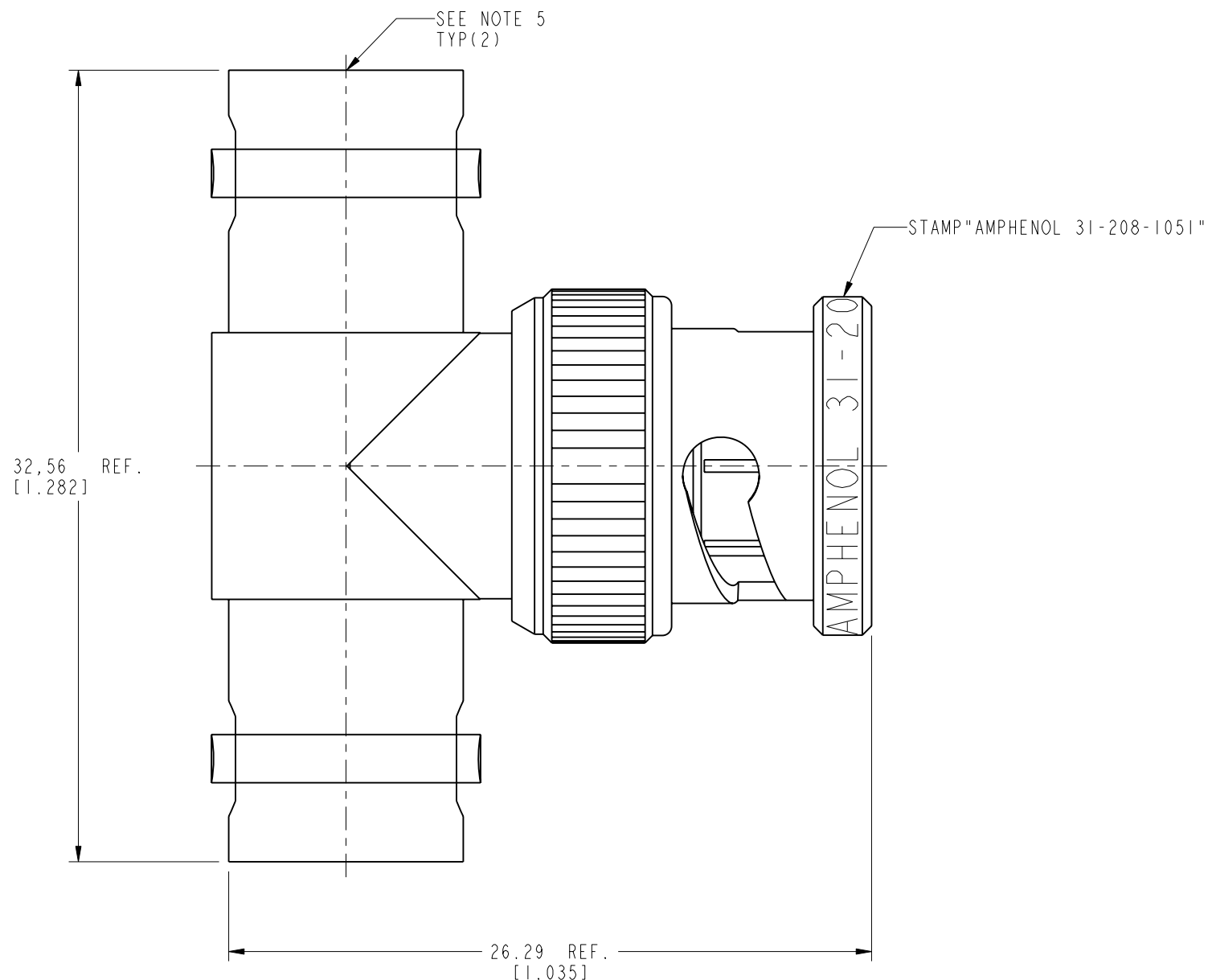
"AMPHENOL, 31-208-1051, AND DATE CODE"

5. MUST CONFORM TO AMPHENOL SPEC. 349-50551, SEC.301.

THIRD ANGLE PROJ.

REVISIONS

REV	DESCRIPTION	DATE	ECO	APPR
A	RELEASE TO MFG.			TA
B	SEE SHEET 1	06-Mar-08	--	AW
M	SEE SHEET 1	11-Dec-09	47687	SH
M	SYNCH DWGS	21-Aug-12	49166	SH
N	INTERNAL DOCUMENT CHANGE ONLY	21-Jun-13	49599	SH



SCALE 2.000

CUSTOMER OUTLINE DRAWING

ALL OTHER SHEETS ARE FOR INTERNAL USE ONLY

UNLESS OTHERWISE SPECIFIED, DIMENSIONS ARE IN METRIC AND TOLERANCES ARE: <0.5mm ±0.05mm 0.5 - 6mm ±0.1mm 6 - 30mm ±0.2mm 30 - 120mm ±0.3mm ANGLES ±1°	MATERIAL	DRAWN T.DENG	DATE 21-Jun-13	TITLE BNC TEE ADAPTER UG-274A/U		Amphenol RF Danbury CT USA, Tainan, Taiwan, Shenzhen, China www.amphenolrf.com	
	REFERENCE EAR #1149	ENGINEER D.ROYCE	DATE 25-Aug-88				
NOTICE - These drawings, specifications, or other data (1) are, and remain the property of Amphenol corp. (2) must be returned upon request; and (3) are confidential and not to be disclosed to any person other than those to whom they are given by Amphenol Corp. the furnishing of these drawings, specifications, or other data by Amphenol Corp., or to any other person to anyone for any purpose is not to be regarded by implication or otherwise in any manner licensing, granting rights to permitting such holder or any other sperson to manufacture, use or sell any product, process or design, patented or otherwisle, that may in any way be related to or disclosed by said drawings, specifications, or other data.	CONFIGURATION LEVEL: <input type="checkbox"/> <input type="checkbox"/>	APPROVED S.HSIEH	DATE 21-Jun-13	SCALE: 4.0:1.0	SHEET 2 OF 2	DRAWING NO. 31-208-1051	
	FINISH	CAD FILE		DWG SIZE B	REV N	ITEM NO. 31-208-1051	PART NO. 31-208-1051

X-ON Electronics

Largest Supplier of Electrical and Electronic Components

Click to view similar products for [RF Adapters - Tee category](#):

Click to view products by [Amphenol manufacturer](#):

Other Similar products are found below :

[R142782000](#) [R114780000W](#) [R142780000W](#) [R143780000](#) [R143782000](#) [344A505](#) [TN2](#) [443A505](#) [5207-1501-000](#) [R125780001](#) [034-1023](#)
[ADP-BNCF-2BNCF](#) [73148-5003](#) [31-208-1051](#) [CT3312](#) [53S301-K00N5](#) [CT2411](#) [43_SMB-50-0-2/111_NE](#) [32K301-K00L5](#) [46_SMA-50-0-](#)
[1/111_NE](#) [51S303-K00N5](#) [32S301-K00L5](#) [43_N-50-0-1/133_NE](#) [CPAD705](#) [BN153](#) [031-208-1051](#) [031-70036](#) [082-102](#) [112455](#) [112456](#)
[112459](#) [112461](#) [112462](#) [112567](#) [112590](#) [122354](#) [122356](#) [132216](#) [132217](#) [142300](#) [172125](#) [172127](#) [172233](#) [31-208](#) [31-208-RFX](#) [31-2208](#)
[31-8](#) [34-1023](#) [79700](#) [82-99](#)