

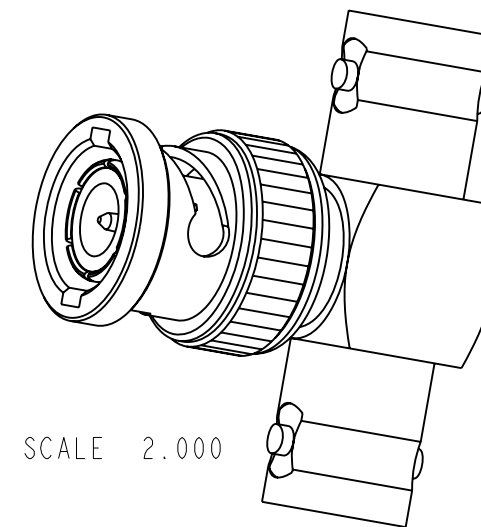
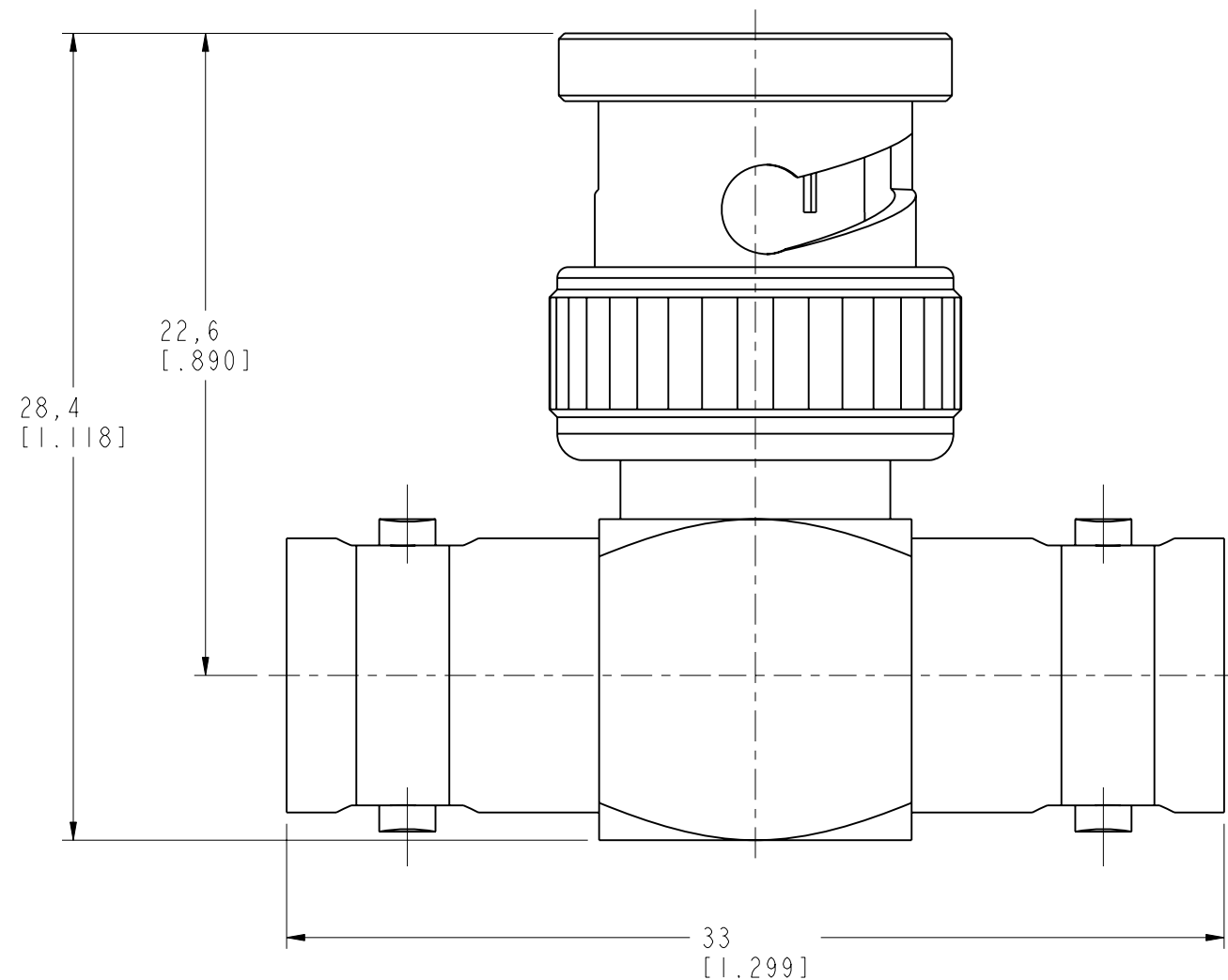
NOTES:

1. MATERIALS OF CONSTRUCTION:  
 BODY - BRASS, NICKEL PLATING  
 CONTACT PIN - BRASS & PHOSPHOR BRONZE, SILVER PLATING  
 INSULATOR - PTFE
2. ELECTRICAL:  
 A. IMPEDANCE: 50 OHM  
 B. FREQUENCY RANGE: DC 0-4 GHZ  
 C. VSWR: 1.5, MAX.  
 D. DIELECTRIC WITHSTANDING VOLTAGE: 1500 VRMS, MIN.
3. MECHANICAL:  
 A. DURABILITY: 500 CYCLES MIN.  
 B. TEMPERATURE RANGE: -65° C TO +165° C
4. PACKAGE IN BAG, MARK BAG 'UG-274/U & 31-208'

THIRD ANGLE PROJ.

REVISIONS

REV	DESCRIPTION	DATE	ECO	APPR
AS	SEE SHEET 1	6/4/99	43003	CPM
AT	STAMP "AMPHENOL" WAS "74868"\RD-DM12092001R3	26-Oct-12	49077	DH



SCALE 2.000

**CUSTOMER OUTLINE DRAWING**

ALL OTHER SHEETS ARE FOR INTERNAL USE ONLY

UNLESS OTHERWISE SPECIFIED, DIMENSIONS ARE IN METRIC AND TOLERANCES ARE:  
 < 0.5mm ± 0.05mm    0.5 - 6mm ± 0.1mm    6 - 30mm ± 0.2mm    30 - 120mm ± 0.3mm    ANGLES ± 1°

NOTICE - These drawings, specifications, or other data (1) are, and remain the property of Amphenol corp. (2) must be returned upon request; and (3) are confidential and not to be disclosed to any person other than those to whom they are given by Amphenol Corp. the furnishing of these drawings, specifications, or other data by Amphenol Corp., or to any other person to anyone for any purpose is not to be regarded by implication or otherwise in any manner licensing, granting rights to permitting such holder or any other person to manufacture, use or sell any product, process or design, patented or otherwise, that may in any way be related to or disclosed by said drawings, specifications, or other data.

MATERIAL	DRAWN R. MAO	DATE 21-Jun-12	TITLE BNC "T" ADAPTOR JACK-PLUG-JACK FOR UG-274A/U	Amphenol RF www.amphenolrf.com
REFERENCE AND CONFIGURATION LEVEL:	ENGINEER S. LI	DATE 21-Jun-12		
FINISH	APPROVED S. HSIEH	DATE 21-Jun-12	SCALE: 4.0:1.0 SHEET 2 OF 2	DRAWING NO. B9073A1-NTS-50
	CAD FILE I:\BNC\B9073A1-NTS-50		DWG SIZE B	ITEM NO. 019073AAB00NJ5F
			REV AT	PART NO. 31-208

## X-ON Electronics

Largest Supplier of Electrical and Electronic Components

*Click to view similar products for [RF Adapters - Tee category](#):*

*Click to view products by [Amphenol manufacturer](#):*

Other Similar products are found below :

[R142782000](#) [R114780000W](#) [R142780000W](#) [R143780000](#) [R143782000](#) [344A505](#) [TN2](#) [443A505](#) [5207-1501-000](#) [R125780001](#) [034-1023](#)  
[ADP-BNCF-2BNCF](#) [73148-5003](#) [31-208-1051](#) [CT3312](#) [53S301-K00N5](#) [CT2411](#) [43\\_SMB-50-0-2/111\\_NE](#) [32K301-K00L5](#) [46\\_SMA-50-0-](#)  
[1/111\\_NE](#) [51S303-K00N5](#) [32S301-K00L5](#) [43\\_N-50-0-1/133\\_NE](#) [CPAD705](#) [BN153](#) [031-208-1051](#) [031-70036](#) [082-102](#) [112455](#) [112456](#)  
[112459](#) [112461](#) [112462](#) [112567](#) [112590](#) [122354](#) [122356](#) [132216](#) [132217](#) [142300](#) [172125](#) [172127](#) [172233](#) [31-208](#) [31-208-RFX](#) [31-2208](#)  
[31-8](#) [34-1023](#) [79700](#) [82-99](#)