

NOTES:

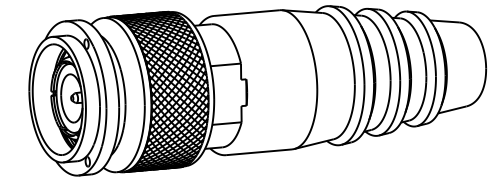
1. MATERIALS AND FINISHES:  
 BODY, CLAMP NUT & COUPLING NUT - BRASS, NICKEL PLATING  
 CONTACT - BRASS, GOLD PLATING  
 INSULATORS - PTFE, NATURAL  
 RETAINING RING - PHOSPHOR BRONZE, NATURAL  
 OUTER CONTACT - PHOSPHOR BRONZE, NICKEL PLATING  
 FERRULE - COPPER, NICKEL PLATING  
 BOOT - SILICONE RUBBER, BLACK  
 GASKET - SILICONE RUBBER, RED
2. ELECTRICAL:  
 A. IMPEDANCE: 50 OHM

3. MECHANICAL:  
 A. DURABILITY: 500 CYCLES MIN.  
 B. TEMPERATURE RANGE: -65°C TO +165°C
4. PACKAGING:  
 A. QUANTITY: SINGLE PACK  
 B. MARKING: BAG TO BE MARKED  
 "AMPHENOL RF, 31-2351 AND DATE CODE"
5. CABLE ASSEMBLY INSTRUCTIONS:  
 A. REFER TO AMPHENOL DRAWING 123-308 FOR  
 CABLE TO CONNECTOR ASSEMBLY INSTRUCTIONS AND  
 FOR SELECTION OF PROPER BRAID CRIMPING TOOL.

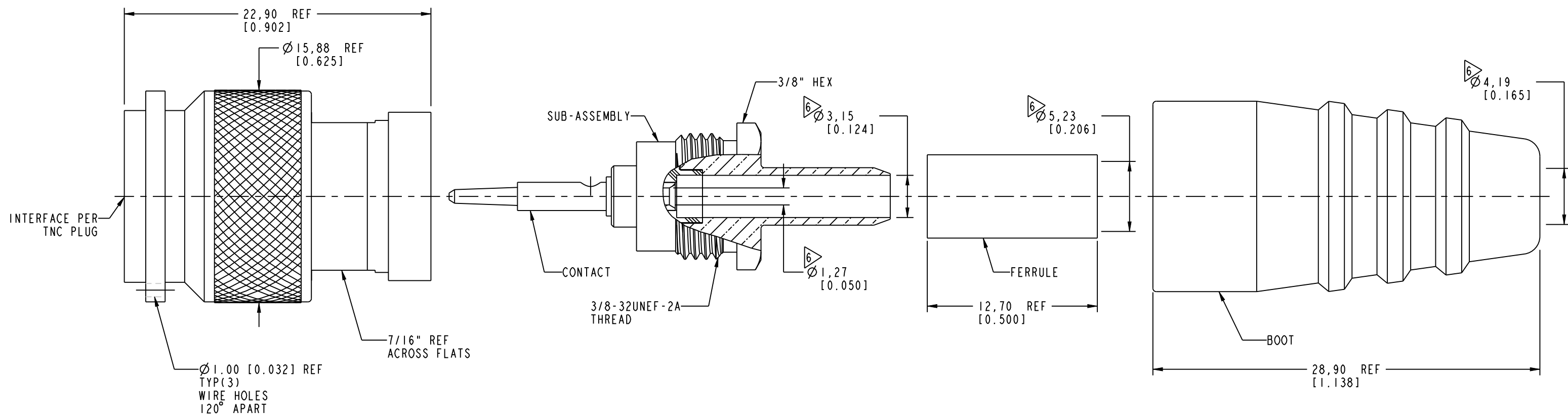
6 SHOWS CABLE ENTRY DIMENSIONS.

THIRD ANGLE PROJ.

		REVISIONS		
REV	DESCRIPTION	DATE	ECN	APPR
--	RELEASE TO MFG.	--	--	--
N	COD SHEET ADDED	19-Dec-18	10045	AAP



SCALE 1.300



**CUSTOMER OUTLINE DRAWING**

ALL OTHER SHEETS ARE FOR INTERNAL USE ONLY

UNLESS OTHERWISE SPECIFIED, DIMENSIONS ARE IN METRIC AND TOLERANCES ARE: <0.5mm ±0.05mm    0.5 - 6mm ±0.1mm    6 - 30mm ±0.2mm    30 - 120mm ±0.3mm    ANGLES ±1°	MATERIAL	DRAWN	DATE	TITLE TNC STR PLUG QUICK CRIMP FOR RG 58/U, 58A/U, 58C/U, 141/U CABLES		Amphenol RF www.amphenolrf.com		
	SEE NOTES	A ARUN PRABU	04-Dec-18					
NOTICE - These drawings, specifications, or other data (1) are, and remain the property of Amphenol corp. (2) must be returned upon request; and (3) are confidential and not to be disclosed to any person other than those to whom they are given by Amphenol Corp. the furnishing of these drawings, specifications, or other data by Amphenol Corp., or to any other person to anyone for any purpose is not to be regarded by implication or otherwise in any manner licensing, granting rights to permitting such holder or any other person to manufacture, use or sell any product, process or design, patented or otherwise, that may in any way be related to or disclosed by said drawings, specifications, or other data.	REFERENCE	ENGINEER	DATE	SCALE: 3.5:1.0    SHEET 2 OF 2		DRAWING NO. 31-2351		
	EAR#	O. MCPHERSON	18-Jun-07					
	REF: DOR. 22-25-10484 EPA 10-340-25-2385	APPROVED	DATE		DWG SIZE    REV B    N		ITEM NO. 31-2351 PART NO. 31-2351	
	CONFIGURATION LEVEL: In Work	CAD FILE						
FINISH								

## X-ON Electronics

Largest Supplier of Electrical and Electronic Components

*Click to view similar products for [RF Connectors / Coaxial Connectors](#) category:*

*Click to view products by [Amphenol](#) manufacturer:*

Other Similar products are found below :

[8915-1511-000](#) [89674-0827](#) [6001-7071-019](#) [6002-7051-003](#) [6002-7551-202](#) [6059674-1](#) [619550-1](#) [630059-000](#) [M39030/3-01N](#) [M3933/25-36N](#) [6500-7071-046](#) [6769](#) [CX050L2AQ](#) [7002-1542-011](#) [7004-1512-000](#) [7009-1511-004](#) [7010-1511-000](#) [7029-1511-060](#) [7101-1541-010](#) [7101-1571-002](#) [7105-1521-002](#) [7145-1521-002](#) [7203-1571-003](#) [7209-1511-011](#) [7210-1511-015](#) [7210-1511-019](#) [73137-5015](#) [73216-2241](#) [7325-1512-000](#) [73404-2300](#) [7405-1521-005](#) [7405-1521-802](#) [7406-1521-005](#) [8527](#) [8547](#) [FS11V](#) [8808-1511-001](#) [9049-9513-000](#) [9074-9513-000](#) [9101-9573-002](#) [910A205F](#) [9130-9573-002](#) [PL11SC-026](#) [PL375-33](#) [PL40-5](#) [PL71-9](#) [PL74C-221](#) [PL75MC-217](#) [PL803-7](#) [980-8666-005](#)