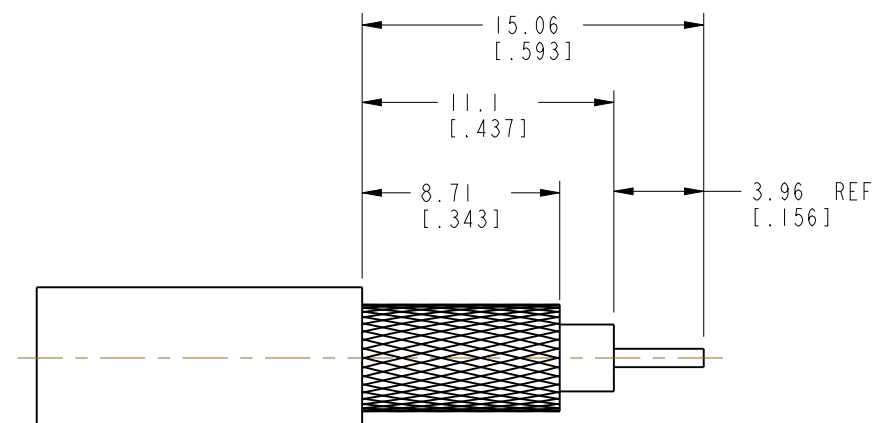


NOTES:

1. MATERIALS AND FINISHES:
 BODY - BRASS, NICKEL PLATING
 CONTACT - PHOSPHOR BRONZE, GOLD PLATING
 FERRULE - COPPER, NICKEL PLATING
 INSULATOR - PTFE, NATURAL
2. ELECTRICAL:
 A. IMPEDANCE: 50 OHM
 B. FREQUENCY: DC - 11 GHz
 C. DIELECTRIC WITHSTANDING VOLTAGE: 1500 VRMS, MIN.
3. MECHANICAL:
 A. DURABILITY: 500 CYCLES MIN.
 B. TEMPERATURE RANGE: -65°C TO +165°C
4. CABLE ASSEMBLY INSTRUCTIONS:
 A. TRIM CABLE AS SHOWN.
 B. SOLDER OR CRIMP CENTER CONTACT TO CABLE CENTER CONDUCTOR USING .068" HEX DIE.
 C. INSERT CABLE THROUGH CONNECTOR BODY.
 D. CRIMP FERRULE OVER CABLE BRAID USING .213" HEX DIE.
5. PACKAGING:
 A. QUANTITY: SINGLE PACK
 B. MARKING: PACKAGING TO BE MARKED "AMPHENOL RF, 31-2380, AND DATE CODE"

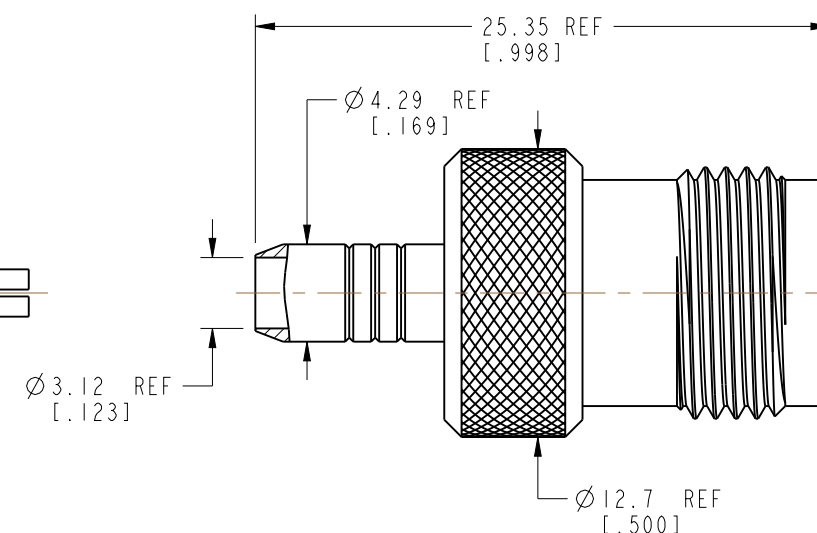
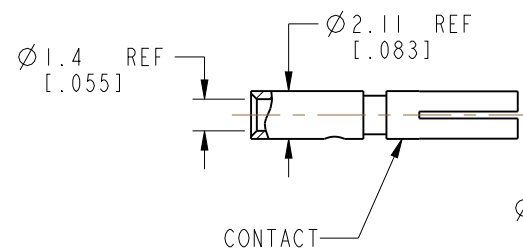
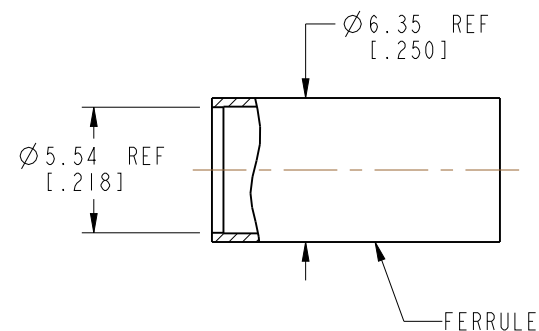
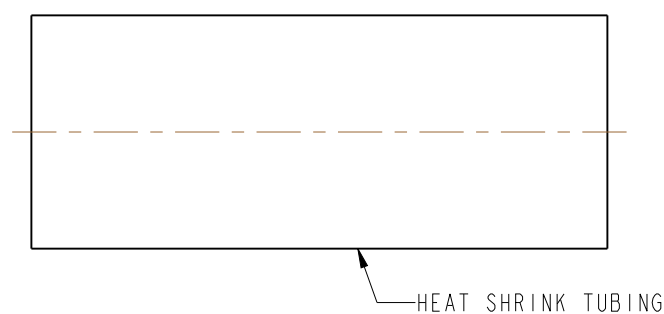
THIRD ANGLE PROJ.

| REVISIONS | | | | |
|-----------|------------------------------------------------------------------------------------------|-----------|-------|------|
| REV | DESCRIPTION | DATE | ECN | APPR |
| A | RELEASE TO MFG. | -- | -- | -- |
| M | CHG'D NOTE 1; DEL. NOTE 2, 3; REDRAWN, WAS 'C' SIZE; ITEM 4 WAS 31-1113; ADD NOTE 14, 15 | 16-Jun-98 | 42504 | TV |
| N | NOTE 9 DEL SOLDER REF | 02-Feb-06 | 45870 | CPM |
| P | REDRAWN IN CREO, ADDED SHEET 2 | 05-Dec-19 | 13883 | EH |



SCALE 1.000

RECOMMENDED CABLE STRIPPING DIMENSIONS



CUSTOMER OUTLINE DRAWING

ALL OTHER SHEETS ARE FOR INTERNAL USE ONLY

| | | | | | | | |
|---------------------------------------------------------------------------------------------------------------------------------------------------------------------------------------------------------------------------------------------------------------------------------------------------------------------------------------------------------------------------------------------------------------------------------------------------------------------------------------------------------------------------------------------------------------------------------------------------------------------------------------------------------------------------------------------------------------------------------------|-----------------------------------|----------------------|-------------------|-------------------------------------------------------|--------------|-----------------------------------|------------------|
| UNLESS OTHERWISE SPECIFIED, DIMENSIONS ARE IN METRIC AND TOLERANCES ARE: <0.5mm ± 0.05mm 0.5 - 6mm ± 0.1mm 6 - 30mm ± 0.2mm 30 - 120mm ± 0.3mm ANGLES ± 1° | MATERIAL NOTE 1 | DRAWN E. HILL | DATE 02-Dec-19 | TITLE TNC JACK MIL-CRIMP SERIES RG55/U CABLE | | Amphenol RF www.amphenolrf.com | |
| | REFERENCE EAR# --- REF: --- | ENGINEER D. ROYCE | DATE 20-Jun-89 | | | | |
| NOTICE - These drawings, specifications, or other data (1) are, and remain the property of Amphenol corp. (2) must be returned upon request; and (3) are confidential and not to be disclosed to any person other than those to whom they are given by Amphenol Corp. the furnishing of these drawings, specifications, or other data by Amphenol Corp., or to any other person to anyone for any purpose is not to be regarded by implication or otherwise in any manner licensing, granting rights to permitting such holder or any other person to manufacture, use or sell any product, process or design, patented or otherwise, that may in any way be related to or disclosed by said drawings, specifications, or other data. | CONFIGURATION LEVEL: In Work | APPROVED D. ROYCE | DATE 20-Jun-89 | SCALE: 3.0:1.0 | SHEET 2 OF 2 | ITEM NO. 31-2380 | PART NO. 31-2380 |
| | FINISH | CAD FILE | DWG SIZE B | REV P | | | |

X-ON Electronics

Largest Supplier of Electrical and Electronic Components

Click to view similar products for [RF Connectors / Coaxial Connectors](#) category:

Click to view products by [Amphenol](#) manufacturer:

Other Similar products are found below :

[8915-1511-000](#) [89674-0827](#) [6001-7071-019](#) [6002-7051-003](#) [6002-7551-202](#) [6059674-1](#) [619550-1](#) [630059-000](#) [M39030/3-01N](#) [M3933/25-36N](#) [6500-7071-046](#) [6769](#) [CX050L2AQ](#) [7002-1542-011](#) [7004-1512-000](#) [7009-1511-004](#) [7010-1511-000](#) [7029-1511-060](#) [7101-1541-010](#) [7101-1571-002](#) [7105-1521-002](#) [7145-1521-002](#) [7203-1571-003](#) [7209-1511-011](#) [7210-1511-015](#) [7210-1511-019](#) [73137-5015](#) [73216-2241](#) [7325-1512-000](#) [73404-2300](#) [7405-1521-005](#) [7405-1521-802](#) [7406-1521-005](#) [8527](#) [8547](#) [FS11V](#) [8808-1511-001](#) [9049-9513-000](#) [9074-9513-000](#) [9101-9573-002](#) [910A205F](#) [9130-9573-002](#) [PL11SC-026](#) [PL375-33](#) [PL40-5](#) [PL71-9](#) [PL74C-221](#) [PL75MC-217](#) [PL803-7](#) [980-8666-005](#)