

NOTES:

1. MATERIALS AND FINISHES:
 BODIES, BODY REAR, COUPLING NUT & WASHER - BRASS, NICKEL PLATING
 CONTACT - PHOSPHOR BRONZE, GOLD PLATING
 CONTACT - ZINC DIE CAST, GOLD PLATING
 INSULATORS - PTFE, NATURAL
 GASKET - SILICONE RUBBER, RED
 FERRULE - COPPER, NICKEL PLATING
2. ELECTRICAL:
 A. IMPEDANCE: 50 OHM
3. MECHANICAL:
 A. DURABILITY: 500 CYCLES MIN.
 B. TEMPERATURE RANGE: -65° C TO +165° C
4. PACKAGING:
 A. QUANTITY: SINGLE PACK
 B. MARKING: BAG TO BE MARKED
 "AMPHENOL RF, 31-2381, AND DATE CODE"

5. CABLE ASSEMBLY INSTRUCTIONS:
 A. TRIM CABLE AS SHOWN.
 B. INSERT CABLE CENTER CONDUCTOR TO CONTACT.
 C. SOLDER CONTACT TO CABLE.
 D. CRIMP WITH AMPHENOL TOOL 227-944 (M22520/5-01) AND DIE SET 227-1221-11 CAVITY B (M22520/5-11 CLOSURE B) (.068" HEX)
 E. INSERT CABLE INTO CONNECTOR WITH BRAID OVER KNURL UNTIL IT BOTTOMS.
 F. CRIMP FERRULE WITH AMPHENOL TOOL 227-944 (M22520/5-01) AND DIE SET 227-1221-11 CAVITY B (M22520/5-11 CLOSURE A) (.213" HEX)

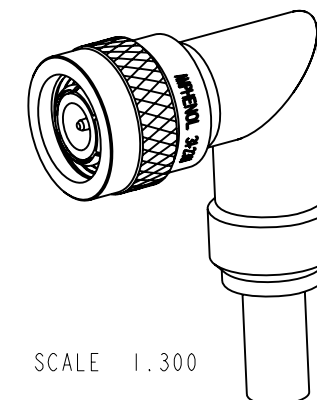
6. HEAT SHRINK TUBING (THERMO FIT), SUPPLIED ON REQUEST ONLY (PART NO. 68180-4)

7 SHOWS CABLE ENTRY DIMENSIONS.

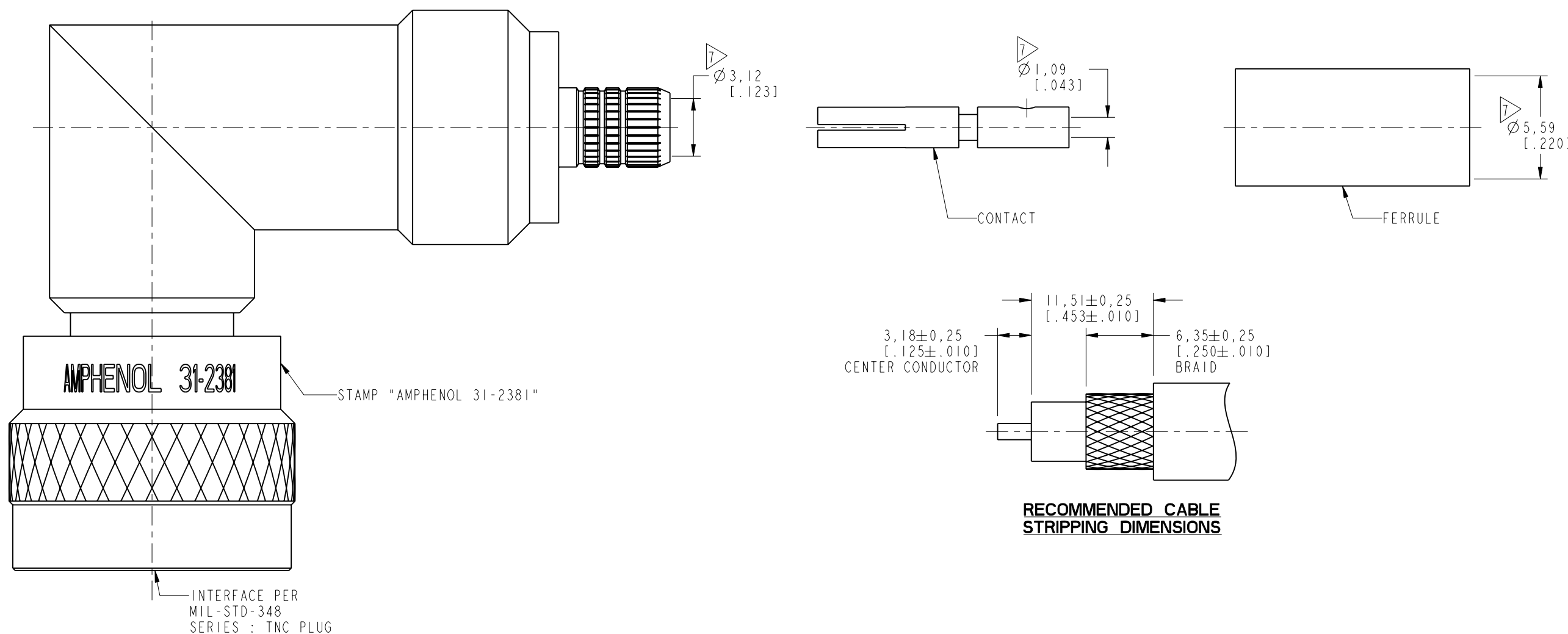
THIRD ANGLE PROJ.

REVISIONS

| REV | DESCRIPTION | DATE | ECO | APPR |
|-----|-----------------|-----------|-------|------|
| -- | RELEASE TO MFG. | -- | -- | -- |
| U | COD SHEET ADDED | 10-Jul-14 | 49949 | SH |



SCALE 1:300



CUSTOMER OUTLINE DRAWING

ALL OTHER SHEETS ARE FOR INTERNAL USE ONLY

| | | | | | | | |
|---|--|-----------|-----------|--|------------------|---------------------------------------|-----------------|
| UNLESS OTHERWISE SPECIFIED, DIMENSIONS ARE IN INCHES AND TOLERANCES ARE: 2 PLACE DECIMAL 3 PLACE DECIMAL ANGLES $\pm .015$ (0,381 mm) $\pm .005$ (0,127 mm) $\pm 1^\circ$ | MATERIAL | DRAWN | DATE | TITLE TNC RIGHT ANGLE PLUG MIL-CRIMP (23329 TYPE) FOR RG 55 & 142/U CABLE | | Amphenol RF www.amphenolrf.com | |
| | SEE NOTES | JEKY.C | 05-Jul-14 | | | | |
| NOTICE - These drawings, specifications, or other data (1) are, and remain the property of Amphenol corp. (2) must be returned upon request; and (3) are confidential and not to be disclosed to any person other than those to whom they are given by Amphenol Corp. the furnishing of these drawings, specifications, or other data by Amphenol Corp., or to any other person for any purpose is not to be regarded by implication or otherwise in any manner licensing, granting rights to permitting such holder or any other person to manufacture, use or sell any product, process or design, patented or otherwise, that may in any way be related to or disclosed by said drawings, specifications, or other data. | REFERENCE EAR # | ENGINEER | DATE | SCALE: 4.0:1.0 SHEET 2 OF 2 | | DRAWING NO.31-2381 ITEM NO.31-2381 | |
| | CONFIGURATION LEVEL: <input type="checkbox"/> <input type="checkbox"/> <input type="checkbox"/> <input type="checkbox"/> | K.CAPOZZI | 27-Mar-14 | | | | |
| | FINISH | APPROVED | DATE | | DWG SIZE B REV U | | PART NO.31-2381 |
| | S.HSIEH | 05-Jul-14 | CAD FILE | | | | |

X-ON Electronics

Largest Supplier of Electrical and Electronic Components

Click to view similar products for [RF Connectors / Coaxial Connectors](#) category:

Click to view products by [Amphenol](#) manufacturer:

Other Similar products are found below :

[8915-1511-000](#) [89674-0827](#) [6001-7071-019](#) [6002-7051-003](#) [6002-7551-202](#) [6059674-1](#) [619550-1](#) [630059-000](#) [M39030/3-01N](#) [M3933/25-36N](#) [6500-7071-046](#) [6769](#) [CX050L2AQ](#) [7002-1542-011](#) [7004-1512-000](#) [7009-1511-004](#) [7010-1511-000](#) [7029-1511-060](#) [7101-1541-010](#) [7101-1571-002](#) [7105-1521-002](#) [7145-1521-002](#) [7203-1571-003](#) [7209-1511-011](#) [7210-1511-015](#) [7210-1511-019](#) [73137-5015](#) [73216-2241](#) [7325-1512-000](#) [73404-2300](#) [7405-1521-005](#) [7405-1521-802](#) [7406-1521-005](#) [8527](#) [8547](#) [FS11V](#) [8808-1511-001](#) [9049-9513-000](#) [9074-9513-000](#) [9101-9573-002](#) [910A205F](#) [9130-9573-002](#) [PL11SC-026](#) [PL375-33](#) [PL40-5](#) [PL71-9](#) [PL74C-221](#) [PL75MC-217](#) [PL803-7](#) [980-8666-005](#)