

NOTES:

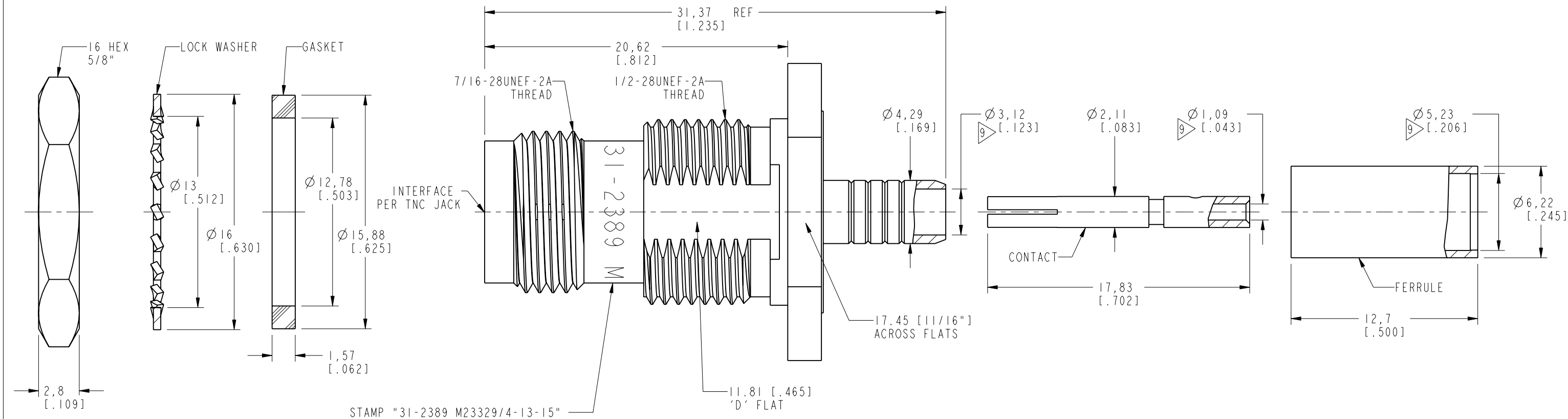
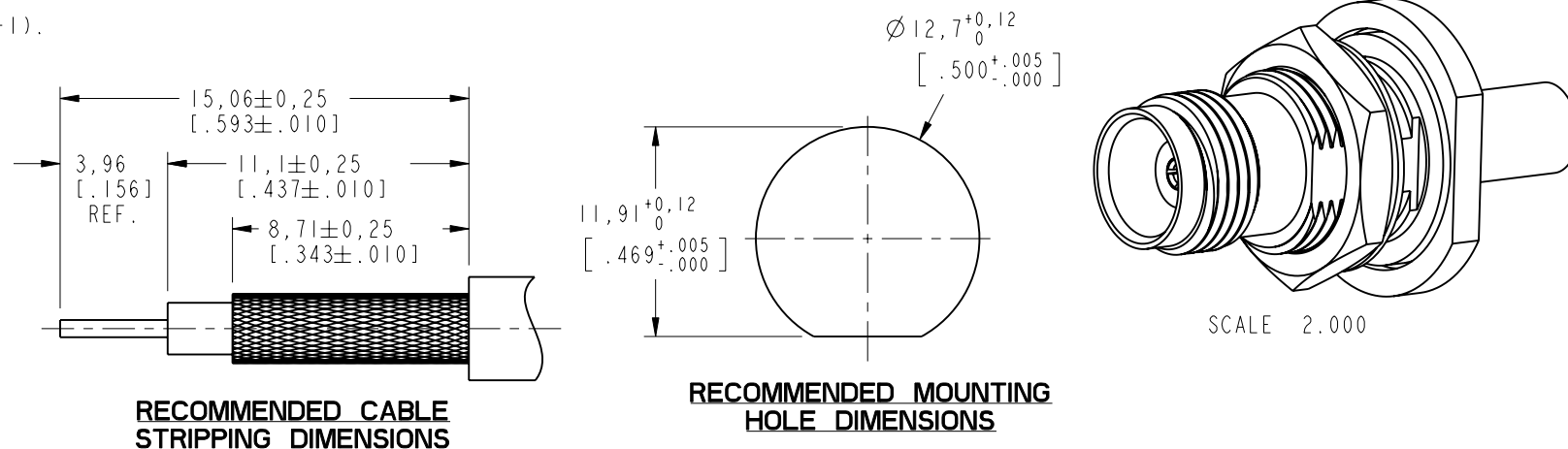
- MATERIALS AND FINISHES:  
 BODY, HEX NUT &  
 RETAINING RING - BRASS, NICKEL PLATING  
 CONTACT - PHOSPHOR BRONZE, GOLD PLATING  
 INSULATOR - PTFE, NATURAL  
 GASKET - SILICONE RUBBER, RED  
 FERRULE - COPPER, NICKEL PLATING  
 LOCK WASHER - PHOSPHOR BRONZE, NICKEL PLATING
- ELECTRICAL:  
 A. IMPEDANCE: 50 OHM
- MECHANICAL:  
 A. DURABILITY: 500 CYCLES MIN.  
 B. TEMPERATURE RANGE: -65° C TO +165° C
- PACKAGING:  
 A. QUANTITY: SINGLE PACK  
 B. MARKING: BAG TO BE MARKED  
 "AMPHENOL RF, 31-2389, AND DATE CODE"

- SOLDER CONTACT TO CABLE.
- WHEN CRIMPING FERRULE TO CABLE, CRIMP WITH AMPHENOL TOOL 227-944 (M22520/5-01) AND DIE SET 227-1221-11, CAVITY 'A' (M22520/5-11, CLOSURE 'A')
- USE WITH RG58/U, RG58A/U, RG58B/U, RG58C/U, RG141/U & RG141A/U CABLES.
- HEAT SHRINK TUBING SUPPLIED ON REQUEST (68180-1).
- SHOWS CABLE ENTRY DIMENSIONS.
- PANEL THICKNESS=1.15~6.1mm [.045~.240 in]

THIRD ANGLE PROJ.

REVISIONS

REV	DESCRIPTION	DATE	ECO	APPR
--	RELEASE TO MFG.	--	--	--
N	REDRAWN IN PRO-E & COD SHEET ADDED\RD-DMI5070301R3	16-Jul-15	50436	RM



**CUSTOMER OUTLINE DRAWING**

ALL OTHER SHEETS ARE FOR INTERNAL USE ONLY

UNLESS OTHERWISE SPECIFIED, DIMENSIONS ARE IN INCHES AND TOLERANCES ARE: 2 PLACE DECIMAL 3 PLACE DECIMAL ±.015 (0.381 mm) ±.005 (0.127 mm) ANGLES ± 1°	MATERIAL SEE NOTES	DRAWN A ARUN PRABU	DATE 19-Mar-15	TITLE TNC STR BHD JACK PER MIL-C-23329/4-13, 4-15 FOR RG 58C/U, 141A/U CABLES MIL-CRIMP SERIES	Amphenol RF www.amphenolrf.com
	REFERENCE EPA: 802127	ENGINEER D. ROYCE	DATE 26-Sep-89		
NOTICE - These drawings, specifications, or other data (1) are, and remain the property of Amphenol corp. (2) must be returned upon request; and (3) are confidential and not to be disclosed to any person other than those to whom they are given by Amphenol Corp. the furnishing of these drawings, specifications, or other data by Amphenol Corp., or to any other person to anyone for any purpose is not to be regarded by implication or otherwise in any manner licensing, granting rights to permitting such holder or any other person to manufacture, use or sell any product, process or design, patented or otherwise, that may in any way be related to or disclosed by said drawings, specifications, or other data.	CONFIGURATION LEVEL: In Work	APPROVED S. HSIEH	DATE 16-Jul-15	SCALE: 3.8:1.0 SHEET 2 OF 2	ITEM NO. 31-2389
	FINISH	CAD FILE	DWG SIZE B	REV N	PART NO. 31-2389

## X-ON Electronics

Largest Supplier of Electrical and Electronic Components

*Click to view similar products for [RF Connectors / Coaxial Connectors](#) category:*

*Click to view products by [Amphenol](#) manufacturer:*

Other Similar products are found below :

[8915-1511-000](#) [89674-0827](#) [6001-7071-019](#) [6002-7051-003](#) [6002-7551-202](#) [6059674-1](#) [619550-1](#) [630059-000](#) [M39030/3-01N](#) [M3933/25-36N](#) [6500-7071-046](#) [6769](#) [CX050L2AQ](#) [7002-1542-011](#) [7004-1512-000](#) [7009-1511-004](#) [7010-1511-000](#) [7029-1511-060](#) [7101-1541-010](#) [7101-1571-002](#) [7105-1521-002](#) [7145-1521-002](#) [7203-1571-003](#) [7209-1511-011](#) [7210-1511-015](#) [7210-1511-019](#) [73137-5015](#) [73216-2241](#) [7325-1512-000](#) [73404-2300](#) [7405-1521-005](#) [7405-1521-802](#) [7406-1521-005](#) [8527](#) [8547](#) [FS11V](#) [8808-1511-001](#) [9049-9513-000](#) [9074-9513-000](#) [9101-9573-002](#) [910A205F](#) [9130-9573-002](#) [PL11SC-026](#) [PL375-33](#) [PL40-5](#) [PL71-9](#) [PL74C-221](#) [PL75MC-217](#) [PL803-7](#) [980-8666-005](#)