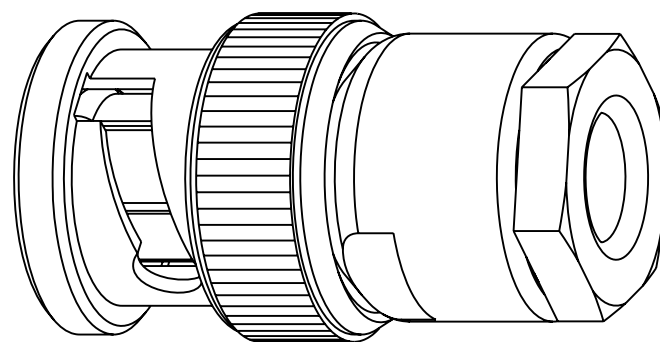


NOTES:

1. MATERIALS AND FINISHES:
 RETAINING RING - BRASS, NICKEL PLATING
 COUPLING NUT - BRASS, NICKEL PLATING
 WASHER - BRASS, NICKEL PLATING
 SPRING - BeCu, NICKEL PLATING
 BODY - BRASS, NICKEL PLATING
 CLAMP - BRASS, SILVER PLATING
 CONTACT - BRASS, SILVER PLATING
 INSULATOR - PTFE, NATURAL
2. ELECTRICAL:
 A. IMPEDANCE: 50 OHM
 B. DIELECTRIC WITHSTANDING VOLTAGE: 1500 VRMS, MIN.
3. MECHANICAL:
 A. DURABILITY: 500 CYCLES MIN.
 B. TEMPERATURE RANGE: -65° C TO +165° C
4. PACKAGING:
 A. QUANTITY: SINGLE PACK
 B. MARKING: BAG TO BE MARKED
 "AMPHENOL RF, PART NUMBER (SEE TABLE), AND DATE CODE"
5. SHOWS CABLE ENTRY DIMENSIONS.
6. CUSTOMER NOTE: WHEN CRIMPING CONTACT TO CABLE, CRIMP USING AMPHENOL TOOL FRAME 227-944 WITH 227-973 DIE SET.



SCALE 3.000

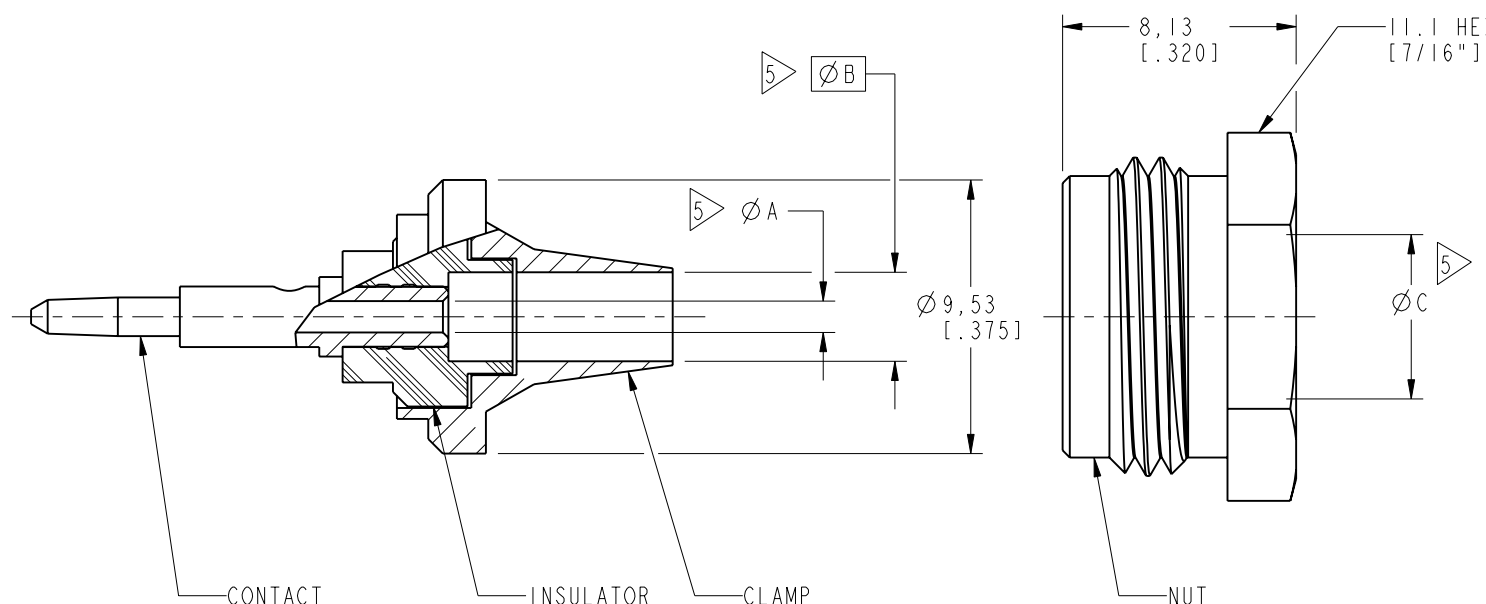
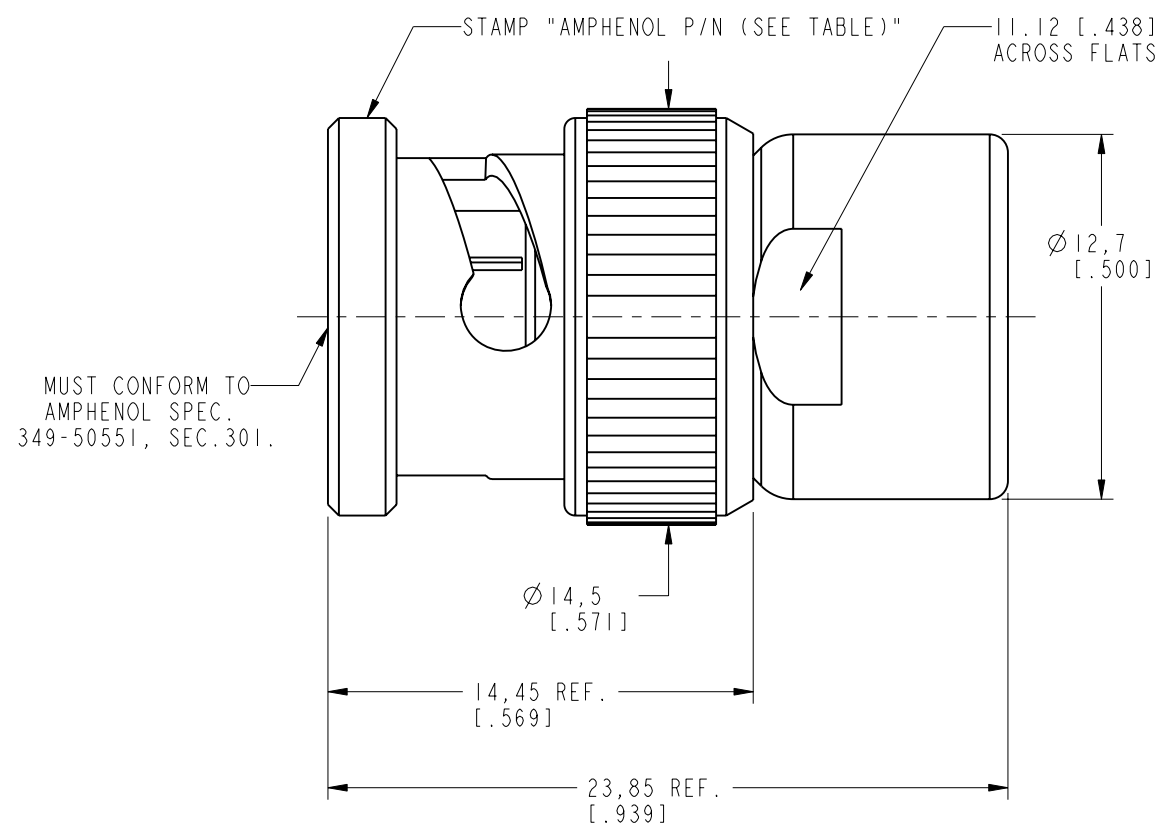
THIRD ANGLE PROJ.

REVISIONS

| REV | DESCRIPTION | DATE | ECO | APPR |
|-----|--|-----------|-------|--------|
| A | RELEASE TO MFG | -- | ---- | -- |
| AR | REDRAWN TO AUTOCAD WAS (22) 'A' SIZE; ADD NOTES 7 THRU 10 & PLATE CODES; ADD CABLE ENTRY DIM'S & TABLE; OBS, DASH -10, -13, -26 THRU 28, -33, -35, -39, -48, -49 | 4/23/98 | 42453 | CPM/DR |
| AS | CORRECTED Ø 'A', 'B', 'C' | 10/16/98 | 42678 | CPM/ |
| AT | NOTE 6 DEL SOLDER REF & STAU BLOCK | 2/3/06 | 45870 | CPM/ |
| AU | SYNC 31-30220-1, ITS SPRING WAS CHANGED & REDRAWN IN PRO/E/ARD-DM09102101T | 03-Nov-09 | 47700 | SH |
| AV | SYNC THE DRAWING/ARD-DM17060201M | 09-Jun-17 | 03962 | MZ |

TABLE

| DRAWING NO. / PART NO. | STAMPING | CABLE | "A" DIM | "B" DIM | "C" DIM |
|------------------------|------------------------|---------------------------------------|----------------|----------------|----------------|
| 31-30220-1 | "AMPHENOL 31-30220-1" | RG-58/U | 1.09 [.043] | 3.1 [.122] | 5.21 [.205] |
| 31-30220-3 | "AMPHENOL 31-30220-3" | RG-59/U, BELDEN 9269 & TMS WIRE TS-50 | 0.74 [.029] | 3.94 [.155] | 6.40 [.252] |
| 31-30220-8 | "AMPHENOL 31-30220-8" | RG-223/U | 1.09 [.043] | 3.1 [.122] | 5.72 [.225] |
| 31-30220-12 | "AMPHENOL 31-30220-12" | RG-174/U | 0.61 [.024] | 1.65 [.065] | 3.05 [.120] |



CUSTOMER OUTLINE DRAWING

ALL OTHER SHEETS ARE FOR INTERNAL USE ONLY

| | | | | | |
|---|--|----------------------|-------------------|--|-----------------------------------|
| UNLESS OTHERWISE SPECIFIED, DIMENSIONS ARE IN METRIC AND TOLERANCES ARE: <0.5mm ±0.05mm 0.5 - 6mm ±0.1mm 6 - 30mm ±0.2mm 30 - 120mm ±0.3mm ANGLES ±1° | MATERIAL | DRAWN M. ZHANG | DATE 09-Jun-17 | TITLE BNC PLUG SQ. CUT (FOR SEE TABLE CABLE) | Amphenol RF www.amphenolrf.com |
| | REFERENCE EAR # AND CONFIGURATION LEVEL: In Work | ENGINEER D. ROYCE | DATE 06-Mar-98 | | |
| NOTICE - These drawings, specifications, or other data (1) are, and remain the property of Amphenol corp. (2) must be returned upon request; and (3) are confidential and not to be disclosed to any person other than those to whom they are given by Amphenol Corp. the furnishing of these drawings, specifications, or other data by Amphenol Corp., or to any other person for any purpose is not to be regarded by implication or otherwise in any manner licensing, granting rights to permitting such holder or any other person to manufacture, use or sell any product, process or design, patented or otherwise, that may in any way be related to or disclosed by said drawings, specifications, or other data. | FINISH | APPROVED S. HSIEH | DATE 09-Jun-17 | SCALE: 3.8:1.0 | SHEET 3 OF 3 |
| | | | CAD FILE | | DWG SIZE B |
| | | | | | DRAWING NO. 31-30220-X |
| | | | | | ITEM NO. 31-30220-X |
| | | | | | PART NO. 31-30220-X |

X-ON Electronics

Largest Supplier of Electrical and Electronic Components

Click to view similar products for [RF Connectors / Coaxial Connectors](#) category:

Click to view products by [Amphenol](#) manufacturer:

Other Similar products are found below :

[8915-1511-000](#) [89674-0827](#) [6001-7071-019](#) [6002-7051-003](#) [6002-7551-202](#) [6059674-1](#) [619550-1](#) [630059-000](#) [M39030/3-01N](#) [M3933/25-36N](#) [6500-7071-046](#) [6769](#) [CX050L2AQ](#) [7002-1542-011](#) [7004-1512-000](#) [7009-1511-004](#) [7010-1511-000](#) [7029-1511-060](#) [7101-1541-010](#) [7101-1571-002](#) [7105-1521-002](#) [7145-1521-002](#) [7203-1571-003](#) [7209-1511-011](#) [7210-1511-015](#) [7210-1511-019](#) [73137-5015](#) [73216-2241](#) [7325-1512-000](#) [73404-2300](#) [7405-1521-005](#) [7405-1521-802](#) [7406-1521-005](#) [8527](#) [8547](#) [FS11V](#) [8808-1511-001](#) [9049-9513-000](#) [9074-9513-000](#) [9101-9573-002](#) [910A205F](#) [9130-9573-002](#) [PL11SC-026](#) [PL375-33](#) [PL40-5](#) [PL71-9](#) [PL74C-221](#) [PL75MC-217](#) [PL803-7](#) [980-8666-005](#)