

NOTES:

- MATERIALS AND FINISHES:
 BODY, HEX NUT, LOCK WASHER,
 SPACER & RETAINING RING - BRASS, NICKEL PLATING
 CONTACT - PHOSPHOR BRONZE, GOLD PLATING
 INSULATORS - PTFE, NATURAL
 GASKET - SILICONE RUBBER, RED
 FERRULE - COPPER, NICKEL PLATING

- ELECTRICAL:
 A. IMPEDANCE: 50 OHM
 B. FREQUENCY RANGE: DC -4 GHz
 C. DIELECTRIC WITHSTANDING VOLTAGE: 1500 VRMS, MIN.

- MECHANICAL:
 A. DURABILITY: 500 CYCLES MIN.
 B. TEMPERATURE RANGE: -65° C TO +165° C

- PACKAGING:
 A. QUANTITY: SINGLE PACK
 B. MARKING: BAG TO BE MARKED
 "AMPHENOL RF, 31-318, AND DATE CODE"

- CABLE ASSEMBLY INSTRUCTIONS:
 A. TRIM CABLE AS SHOWN.
 B. SLIDE FERRULE OVER CABLE JACKET.
 C. COMB OUT THE BRAID & SLIDE SPACER AND INSULATOR OVER CABLE DIELECTRIC.
 D. CRIMP CONTACT PIN TO CABLE WITH AMPHENOL TOOL
 227-944 (M22520/5-01) AND DIE SET 227-1221-09,
 CAVITY 'B' (M22520/5-09, CLOSURE 'B').
 E. INSTALL CABLE ASSEMBLY INTO BODY ASSEMBLY. BRAID OVER CONNECTOR BODY.
 F. SLIDE FERRULE OVER BRAID AND UP AGAINST CONNECTOR BODY.
 G. CRIMP FERRULE TO CABLE WITH AMPHENOL TOOL
 227-944 (M22520/5-01) AND DIE SET 227-1221-09
 CAVITY 'A' (M22520/5-09, CLOSURE 'A'), 0.178" HEX.

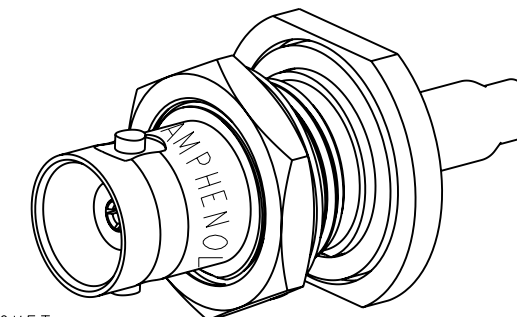
6 SHOWS CABLE ENTRY DIMENSIONS.

7. MAX. PANEL THICKNESS=6.35mm

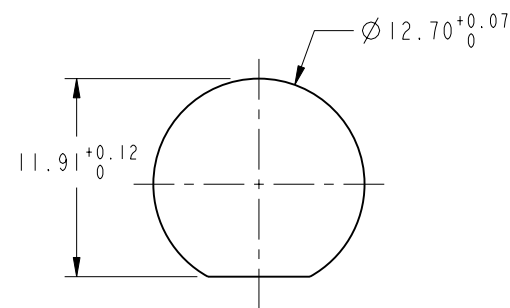
THIRD ANGLE PROJ.

REVISIONS

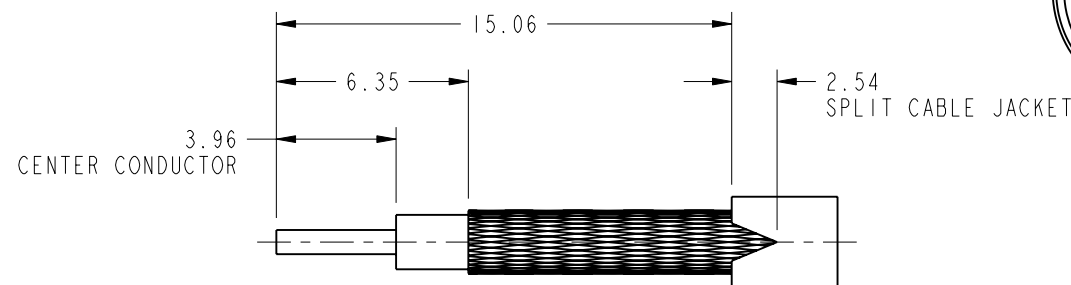
REV	DESCRIPTION	DATE	ECO	APPR
A2	SEE SHEET 1	25-Feb-03	--	TONY
Y	REDRAWN TO UPDATE FORMAT	11-Dec-08	47247	
AA	REDRAWN IN PROE	28-May-15	49786	AAP



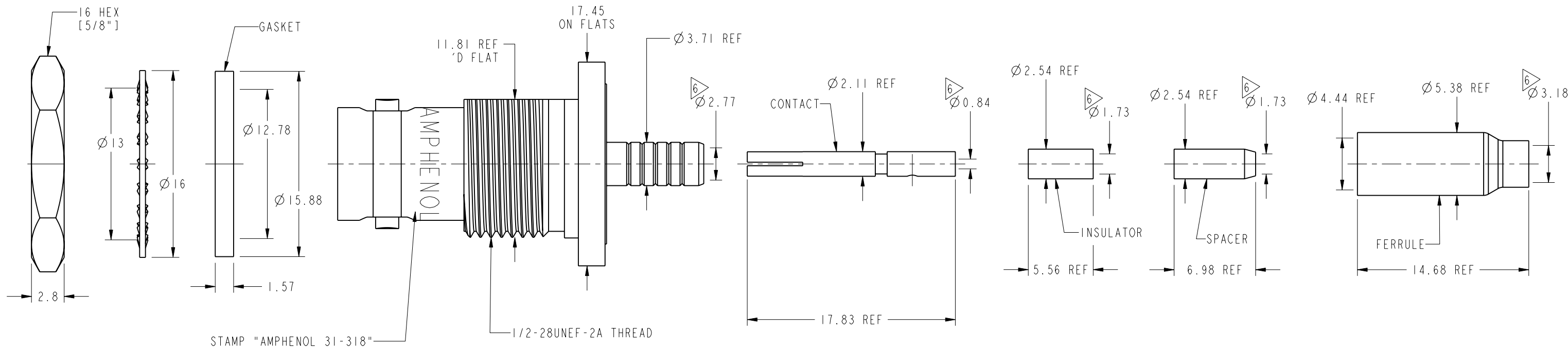
SCALE 2.000



RECOMMENDED MOUNTING HOLE DIMENSIONS



RECOMMENDED CABLE STRIPPING DIMENSIONS



CUSTOMER OUTLINE DRAWING

ALL OTHER SHEETS ARE FOR INTERNAL USE ONLY

UNLESS OTHERWISE SPECIFIED, DIMENSIONS ARE IN METRIC AND TOLERANCES ARE: <0.5mm ±0.05mm 0.5 - 6mm ±0.1mm 6 - 30mm ±0.2mm 30 - 120mm ±0.3mm ANGLES ±1° NOTICE - These drawings, specifications, or other data (1) are, and remain the property of Amphenol corp. (2) must be returned upon request; and (3) are confidential and not to be disclosed to any person other than those to whom they are given by Amphenol Corp. the furnishing of these drawings, specifications, or other data by Amphenol Corp., or to any other person to anyone for any purpose is not to be regarded by implication or otherwise in any manner licensing, granting rights to permitting such holder or any other person to manufacture, use or sell any product, process or design, patented or otherwise, that may in any way be related to or disclosed by said drawings, specifications, or other data.	MATERIAL	DRAWN	DATE	TITLE	Amphenol RF www.amphenolrf.com DRAWING NO. 31-318 ITEM NO. 31-318 PART NO. 31-318
	SEE NOTES	A ARUN PRABU	08-Nov-13	QUICK CRIMP BNC BULKHEAD JACK USE WITH RG-174/U & RG-188/U CABLES	
	REFERENCE EAR #	ENGINEER RICHER	DATE 28-Feb-03	SCALE: 3.0:1.0 SHEET 2 OF 2	
	CONFIGURATION LEVEL: In Work	APPROVED S,HSIEH	DATE 28-May-15	DWG SIZE B REV AA	
FINISH		CAD FILE			

X-ON Electronics

Largest Supplier of Electrical and Electronic Components

Click to view similar products for [RF Connectors / Coaxial Connectors](#) category:

Click to view products by [Amphenol](#) manufacturer:

Other Similar products are found below :

[8915-1511-000](#) [89674-0827](#) [6001-7071-019](#) [6002-7051-003](#) [6002-7551-202](#) [6059674-1](#) [619550-1](#) [630059-000](#) [M39030/3-01N](#) [M3933/25-36N](#) [6500-7071-046](#) [6769](#) [CX050L2AQ](#) [7002-1542-011](#) [7004-1512-000](#) [7009-1511-004](#) [7010-1511-000](#) [7029-1511-060](#) [7101-1541-010](#) [7101-1571-002](#) [7105-1521-002](#) [7145-1521-002](#) [7203-1571-003](#) [7209-1511-011](#) [7210-1511-015](#) [7210-1511-019](#) [73137-5015](#) [73216-2241](#) [7325-1512-000](#) [73404-2300](#) [7405-1521-005](#) [7405-1521-802](#) [7406-1521-005](#) [8527](#) [8547](#) [FS11V](#) [8808-1511-001](#) [9049-9513-000](#) [9074-9513-000](#) [9101-9573-002](#) [910A205F](#) [9130-9573-002](#) [PL11SC-026](#) [PL375-33](#) [PL40-5](#) [PL71-9](#) [PL74C-221](#) [PL75MC-217](#) [PL803-7](#) [980-8666-005](#)