

NOTES:

1. MATERIALS AND FINISHES:  
 BODY, SHELL, CLAMP NUT, WASHERS,  
 BRAID CLAMP & BUSHING - BRASS, SILVER PLATING  
 CONTACT - BRASS, GOLD PLATING  
 RETAINING RING - BRASS, NICKEL PLATING  
 SPRING - BeCu, NICKEL PLATING  
 INSULATOR - PTFE, NATURAL  
 GASKETS - SILICONE RUBBER, RED
2. ELECTRICAL:  
 A. IMPEDANCE: 50 OHM
3. MECHANICAL:  
 A. DURABILITY: 500 CYCLES MIN.  
 B. TEMPERATURE RANGE: -65° C TO +165° C
4. PACKAGING:  
 A. QUANTITY: SINGLE PACK  
 B. MARKING: BAG TO BE MARKED  
 "AMPHENOL RF, 31-3301, AND DATE CODE"

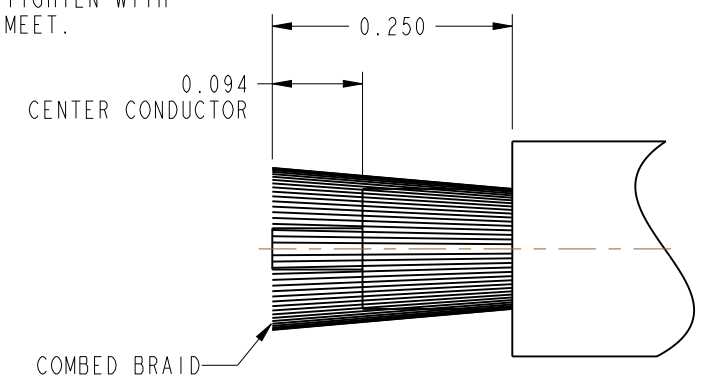
5. CABLE ASSEMBLY INSTRUCTIONS:  
 A. STRIP CABLE AS SHOWN.  
 B. SLIDE CLAMP NUT, WASHER, GASKET & BRAID CLAMP OVER CABLE SHEATH.  
 C. COMB OUT THE BRAID AND FOLD OUT, TRIM EXCESS BRAID.  
 D. SOLDER CABLE CENTER CONDUCTOR TO CENTER CONTACT.  
 LEAD FREE SOLDER IS RECOMMENDED  
 E. SLIDE SUB-ASSEMBLY TO THE REAR SIDE OF THE BODY AND TIGHTEN WITH  
 PROPER SPANNER. MAKE ENSURE INTERFACE DIMENSIONS TO MEET.

6. SHOWS CABLE ENTRY DIMENSIONS

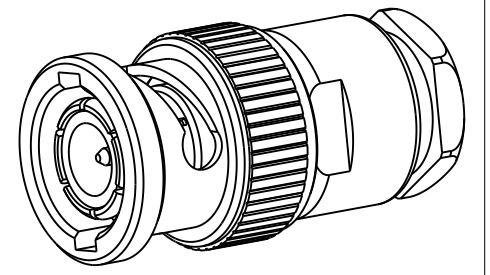
THIRD ANGLE PROJ.

REVISIONS

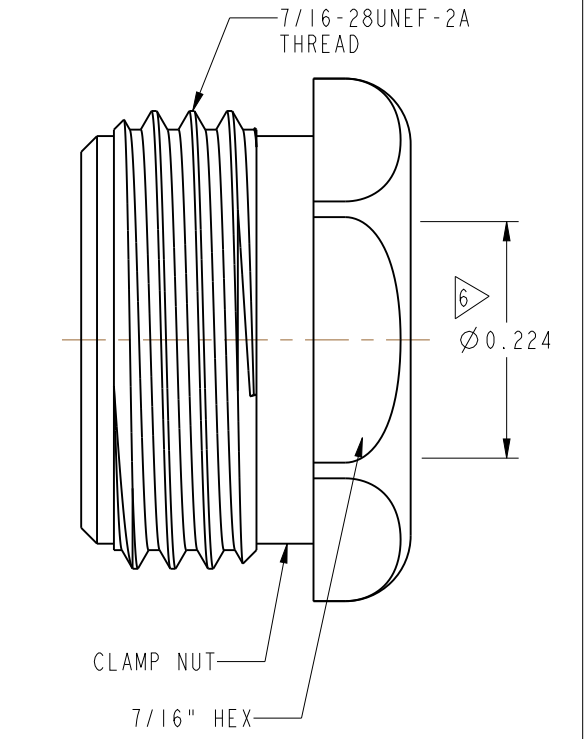
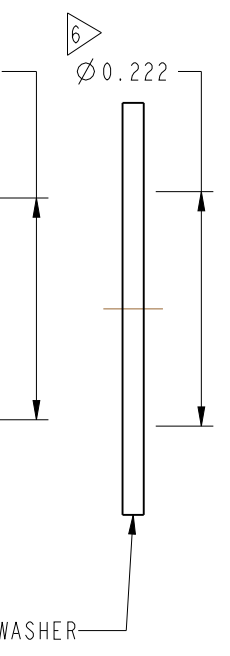
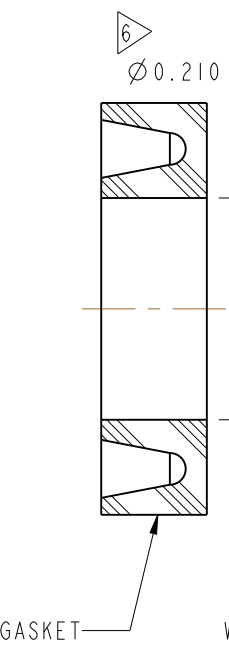
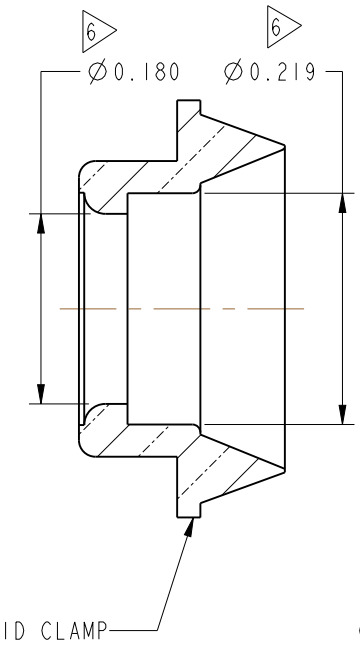
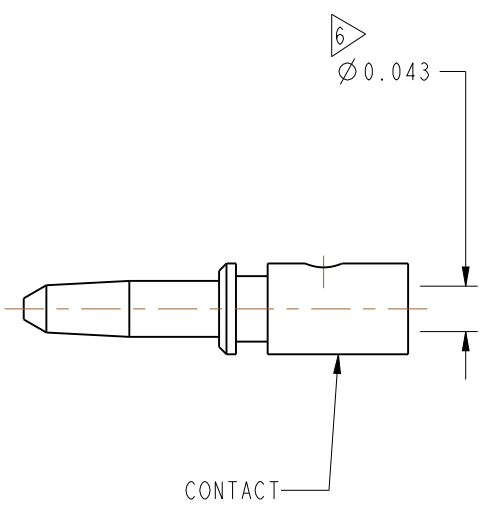
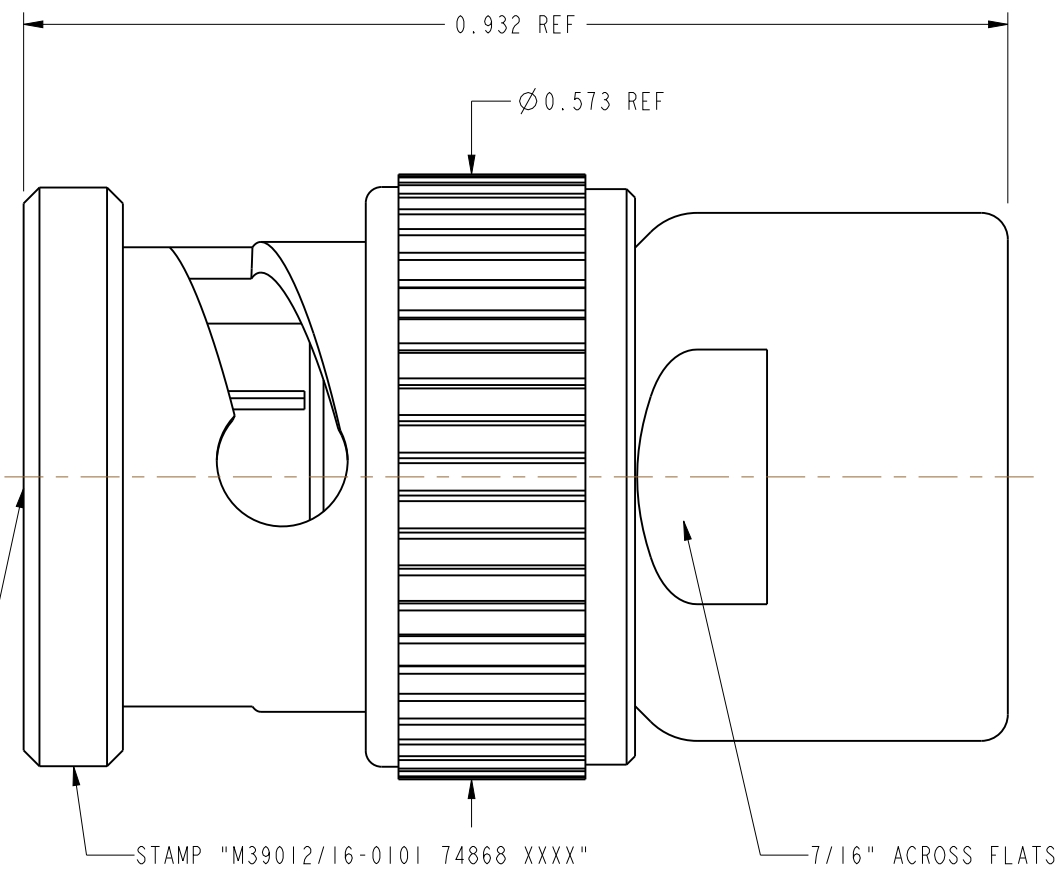
REV	DESCRIPTION	DATE	ECO	APPR
--	RELEASE TO MFG.	--	--	--
AB	EDITED BOM ON ASSEMBLY DRAWING	14-Nov-14	50188	MJD
AC	FORMAT UPDATED	5/9/16	00562	NR
AD	SHEET 1 CHANGE	14-Sep-18	9122	BMG



RECOMMENDED CABLE STRIPPING DIMENSIONS



SCALE 2.000



MIL-C-39012 INSPECTION

CUSTOMER OUTLINE DRAWING

ALL OTHER SHEETS ARE FOR INTERNAL USE ONLY

UNLESS OTHERWISE SPECIFIED, DIMENSIONS ARE IN INCHES AND TOLERANCES ARE: 2 PLACE DECIMAL 3 PLACE DECIMAL ANGLES ±.015 (0,381 mm) ±.005 (0,127 mm) ± 1°	MATERIAL	DRAWN	DATE	TITLE BNC STR PLUG, UG-CLAMP (CATEGORY A) FOR RG 58, 223, 141 & 142/U CABLES	Amphenol RF www.amphenolrf.com
	SEE NOTES	BALAJI M	03-Jul-09		
NOTICE - These drawings, specifications, or other data (1) are, and remain the property of Amphenol corp. (2) must be returned upon request; and (3) are confidential and not to be disclosed to any person other than those to whom they are given by Amphenol Corp. the furnishing of these drawings, specifications, or other data by Amphenol Corp., or to any other person to anyone for any purpose is not to be regarded by implication or otherwise in any manner licensing, granting rights to permitting such holder or any other person to manufacture, use or sell any product, process or design, patented or otherwise, that may in any way be related to or disclosed by said drawings, specifications, or other data.	REFERENCE	ENGINEER	DATE	SCALE: 5.5:1.0	SHEET 2 OF 2
	MIL-C-39012/16-0101 AND E.P.A 802150-51	D.ROYCE	12-Apr-89	DWG SIZE	REV
	CONFIGURATION LEVEL: In Work	APPROVED	DATE	B	AD
FINISH	K. CAPOZZI	14-Sep-18			
		CAD FILE			
					DRAWING NO. 31-3301
					ITEM NO. 31-3301
					PART NO. 31-3301

## X-ON Electronics

Largest Supplier of Electrical and Electronic Components

*Click to view similar products for [RF Connectors / Coaxial Connectors](#) category:*

*Click to view products by [Amphenol](#) manufacturer:*

Other Similar products are found below :

[8915-1511-000](#) [89674-0827](#) [6001-7071-019](#) [6002-7051-003](#) [6002-7551-202](#) [6059674-1](#) [619550-1](#) [630059-000](#) [M39030/3-01N](#) [M3933/25-36N](#) [6500-7071-046](#) [6769](#) [CX050L2AQ](#) [7002-1542-011](#) [7004-1512-000](#) [7009-1511-004](#) [7010-1511-000](#) [7029-1511-060](#) [7101-1541-010](#) [7101-1571-002](#) [7105-1521-002](#) [7145-1521-002](#) [7203-1571-003](#) [7209-1511-011](#) [7210-1511-015](#) [7210-1511-019](#) [73137-5015](#) [73216-2241](#) [7325-1512-000](#) [73404-2300](#) [7405-1521-005](#) [7405-1521-802](#) [7406-1521-005](#) [8527](#) [8547](#) [FS11V](#) [8808-1511-001](#) [9049-9513-000](#) [9074-9513-000](#) [9101-9573-002](#) [910A205F](#) [9130-9573-002](#) [PL11SC-026](#) [PL375-33](#) [PL40-5](#) [PL71-9](#) [PL74C-221](#) [PL75MC-217](#) [PL803-7](#) [980-8666-005](#)