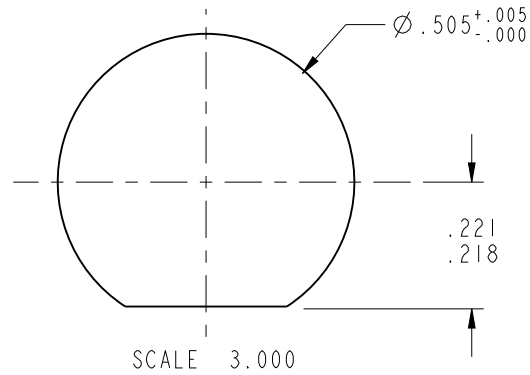


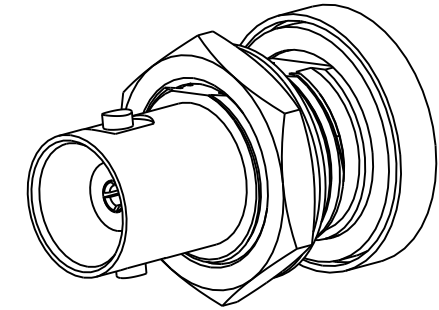
NOTES:

1. MATERIALS AND FINISHES:  
 BODY - BRASS, SILVER PLATING  
 CONTACT - BERYLLIUM COPPER, GOLD PLATING  
 INSULATOR - PTFE
2. ELECTRICAL:  
 A. IMPEDANCE: 50 OHM  
 B. DIELECTRIC WITHSTANDING VOLTAGE: 1500 VRMS, MIN
3. MECHANICAL:  
 A. DURABILITY: 500 CYCLES MIN.  
 B. TEMPERATURE RANGE: -65° C TO +165° C
4. PACKAGING:  
 A. QUANTITY: SINGLE PACK  
 B. MARKING: BAG TO BE MARKED  
 "AMPHENOL RF, 31-4237, AND DATE CODE"

31-4237		REVISIONS			
DRAWING NO.	REV	DESCRIPTION	DATE	ECO	APPR
THIRD ANGLE PROJ.	--	RELEASE TO MFG.	-----	-----	-----
	T	REDRAWN IN PRO-E, ADDED COD	1/14/13	48616	BM
	U	ADDED NOTE 2B	3/1/13	49417	CPM

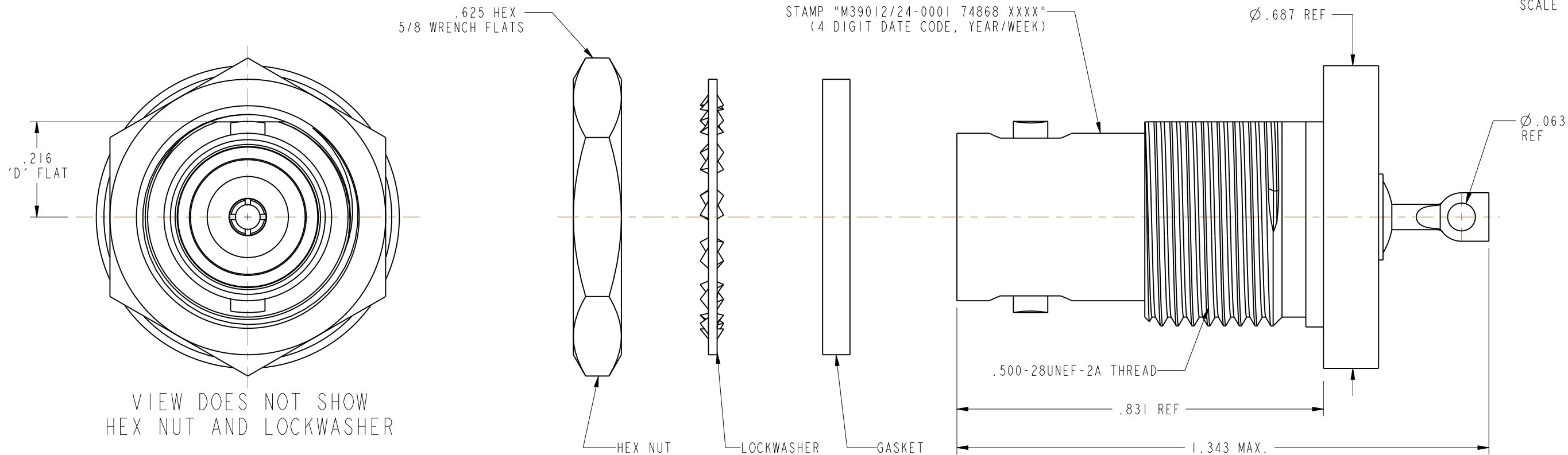


**RECOMMENDED MOUNTING HOLE DIMENSIONS**



SCALE 2.000

**MIL-C-39012 INSPECTION**



VIEW DOES NOT SHOW  
HEX NUT AND LOCKWASHER

**CUSTOMER OUTLINE DRAWING**

ALL OTHER SHEETS ARE FOR INTERNAL USE ONLY

UNLESS OTHERWISE SPECIFIED, DIMENSIONS ARE IN INCHES AND TOLERANCES ARE:  
 2 PLACE DECIMAL ±.015 (0,381 mm)  
 3 PLACE DECIMAL ±.005 (0,127 mm)  
 ANGLES ± 1°

NOTICE - These drawings, specifications, or other data (1) are, and remain the property of Amphenol Corp. (2) must be returned upon request; and (3) are confidential and not to be disclosed to any person other than those to whom they are given by Amphenol Corp. The furnishing of these drawings, specifications, or other data by Amphenol Corp., or to any other person to anyone for any purpose is not to be regarded by implication or otherwise in any manner licensing, granting rights or permitting such holder or any other person to manufacture, use or sell any product, process or design, patented or otherwise, that may in any way be related to or disclosed by said drawings, specifications, or other data.

MATERIAL	DRAWN	DATE	TITLE
	BALAJI M	11-Jan-10	TYPE BNC REAR MOUNT HERMETIC RECEPTACLE MIL-CRIMP
REFERENCE	ENGINEER	DATE	
MIL-C-39012/24-0001 EPA 302206 GEN# ASSYF10_BNC	BALAJI M	11-Jan-10	
	APPROVED	DATE	
	K. CAPOZZI	1/14/13	
	CAD FILE	CODE ID	DWG SIZE
	I:\BNC\31-4237	74868	B

DRAWING NO.	REV	DESCRIPTION	DATE	ECO	APPR
31-4237	--	RELEASE TO MFG.	-----	-----	-----
	T	REDRAWN IN PRO-E, ADDED COD	1/14/13	48616	BM
	U	ADDED NOTE 2B	3/1/13	49417	CPM

DRAWING NO.	REV	DESCRIPTION	DATE	ECO	APPR
31-4237	--	RELEASE TO MFG.	-----	-----	-----
	T	REDRAWN IN PRO-E, ADDED COD	1/14/13	48616	BM
	U	ADDED NOTE 2B	3/1/13	49417	CPM

Amphenol RF		SCALE: 4.0:1		SHEET 2 OF 2	
Danbury, CT, USA Tainan, Taiwan Shenzhen, China www.amphenolrf.com					
CODE ID	DWG SIZE	DRAWING NO.	REV		
74868	B	31-4237	U		

## X-ON Electronics

Largest Supplier of Electrical and Electronic Components

*Click to view similar products for [RF Connectors / Coaxial Connectors](#) category:*

*Click to view products by [Amphenol](#) manufacturer:*

Other Similar products are found below :

[8915-1511-000](#) [89674-0827](#) [6001-7071-019](#) [6002-7051-003](#) [6002-7551-202](#) [6059674-1](#) [619550-1](#) [630059-000](#) [M39030/3-01N](#) [M3933/25-36N](#) [6500-7071-046](#) [6769](#) [CX050L2AQ](#) [7002-1542-011](#) [7004-1512-000](#) [7009-1511-004](#) [7010-1511-000](#) [7029-1511-060](#) [7101-1541-010](#) [7101-1571-002](#) [7105-1521-002](#) [7145-1521-002](#) [7203-1571-003](#) [7209-1511-011](#) [7210-1511-015](#) [7210-1511-019](#) [73137-5015](#) [73216-2241](#) [7325-1512-000](#) [73404-2300](#) [7405-1521-005](#) [7405-1521-802](#) [7406-1521-005](#) [8527](#) [8547](#) [FS11V](#) [8808-1511-001](#) [9049-9513-000](#) [9074-9513-000](#) [9101-9573-002](#) [910A205F](#) [9130-9573-002](#) [PL11SC-026](#) [PL375-33](#) [PL40-5](#) [PL71-9](#) [PL74C-221](#) [PL75MC-217](#) [PL803-7](#) [980-8666-005](#)