

NOTES:

1. MATERIALS AND FINISHES:
 BODY, SHELL & WASHER - BRASS, SILVER PLATING
 CONTACT - BRASS, GOLD PLATING
 INSULATOR & BUSHING INSULATOR - PTFE, NATURAL
 SPRING - BeCu, NICKEL PLATING
 FERRULE - COPPER, SILVER PLATING
 GASKET - SILICOEN RUBBER, RED
2. ELECTRICAL:
 A. IMPEDANCE: 50 OHM
3. MECHANICAL:
 A. DURABILITY: 500 CYCLES MIN.
 B. TEMPERATURE RANGE: -65°C TO +165°C
4. PACKAGING:
 A. QUANTITY: SINGLE PACK
 B. MARKING: BAG TO BE MARKED
 "AMPHENOL RF, 31-4321, AND DATE CODE"

5. CABLE ASSEMBLY INSTRUCTIONS:

- A. TRIM CABLE AS SHOWN.
- B. SLIDE BUSHING INSULATOR AND FERRULE ON TO THE CABLE.
- C. INSERT CABLE CENTER CONDUCTOR TO CONTACT.
- D. SOLDER CABLE CENTER CONDUCTOR TO CENTER CONTACT.
- E. WHEN CRIMPING CONTACT TO CABLE, CRIMP WITH AMPHENOL TOOL 227-944 (M22520/5-01) AND DIE SET 227-1221-13, CAVITY 'A' (M22520/5-13, CLOSURE 'B'). (0.068" HEX).
- F. INSERT CABLE INTO CONNECTOR WITH BRAID OVER KNURL UNTIL IT BOTTOMS.
- G. CRIMP WITH AMPHENOL TOOL 227-944 (M22520/5-01) AND DIE SET 227-1221-13, CAVITY 'A' (M22520/5-13, CLOSURE 'A'). (0.213" HEX).

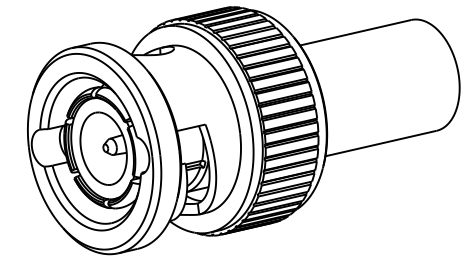
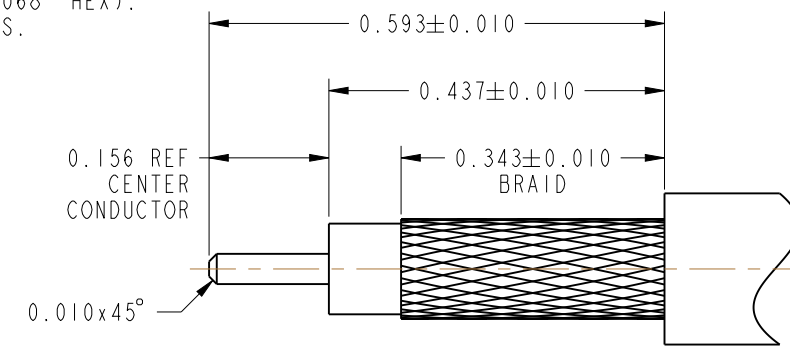
6. HEAT SHRINK TUBING SUPPLIED ON REQUEST ONLY (68180-1).

 SHOWS CABLE ENTRY DIMENSIONS.

THIRD ANGLE PROJ. 

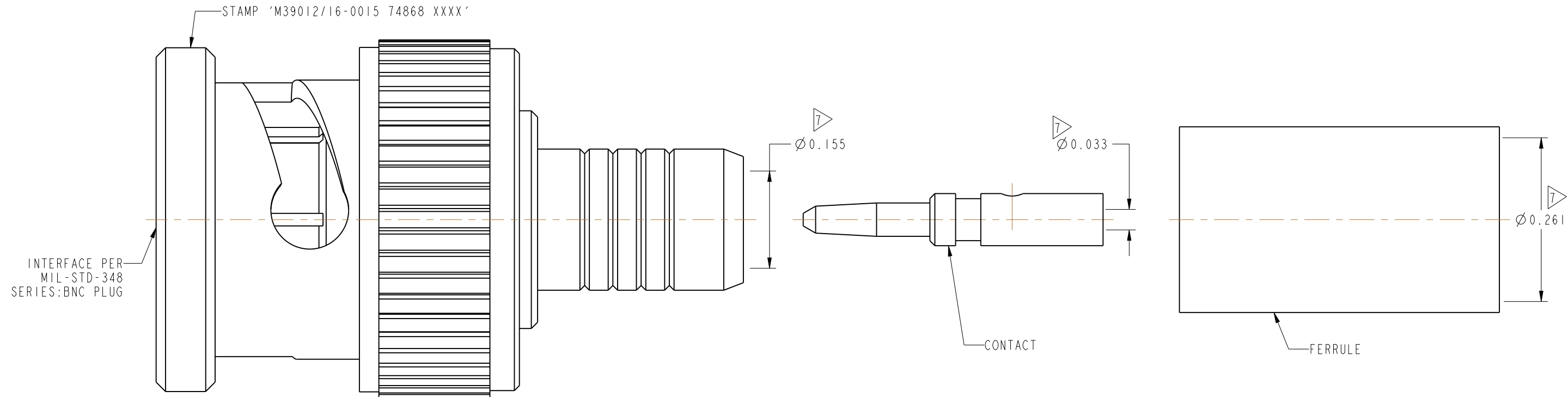
REVISIONS

REV	DESCRIPTION	DATE	ECO	APPR
--	RELEASE TO MFG.	--	--	--
Y	ADD STAMPING	06-Mar-13	49452	CPM
AA	FORMAT UPDATED	09-May-16	00562	CL
AB	INSULATOR UPDATED	6/1/16	00883	MR



SCALE 2.000

RECOMMENDED CABLE STRIPPING DIMENSIONS



MIL-C-39012 INSPECTION

CUSTOMER OUTLINE DRAWING

ALL OTHER SHEETS ARE FOR INTERNAL USE ONLY

THIS CONNECTOR IS COVERED BY U.S. PATENT 3,439,294

UNLESS OTHERWISE SPECIFIED, DIMENSIONS ARE IN INCHES AND TOLERANCES ARE: 2 PLACE DECIMAL 3 PLACE DECIMAL ANGLES ±.015 (0,381 mm) ±.005 (0,127 mm) ± 1°	MATERIAL	DRAWN	DATE	TITLE BNC STR PLUG MIL-CRIMP (CATEGORY C) FOR RG 59, 62,140 & 210/U CABLE	Amphenol RF www.amphenolrf.com
	SEE NOTES	KARTHIK R	31-May-11		
NOTICE - These drawings, specifications, or other data (1) are, and remain the property of Amphenol corp. (2) must be returned upon request; and (3) are confidential and not to be disclosed to any person other than those to whom they are given by Amphenol Corp. the furnishing of these drawings, specifications, or other data by Amphenol Corp., or to any other person to anyone for any purpose is not to be regarded by implication or otherwise in any manner licensing, granting rights to permitting such holder or any other person to manufacture, use or sell any product, process or design, patented or otherwise, that may in any way be related to or disclosed by said drawings, specifications, or other data.	REFERENCE	ENGINEER	DATE	SCALE: 6.0:1.0	SHEET 2 OF 2
	MIL-C-39012/16-0015	KARTHIK R	31-May-11	6.0:1.0	2 OF 2
	CONFIGURATION LEVEL: In Work	APPROVED	DATE	DWG SIZE	REV
FINISH	K. CAPOZZI	6/1/16	B	AB	
					DRAWING NO. 31-4321
					ITEM NO. 31-4321
					PART NO. 31-4321

X-ON Electronics

Largest Supplier of Electrical and Electronic Components

Click to view similar products for [RF Connectors / Coaxial Connectors](#) category:

Click to view products by [Amphenol](#) manufacturer:

Other Similar products are found below :

[8915-1511-000](#) [89674-0827](#) [6001-7071-019](#) [6002-7051-003](#) [6002-7551-202](#) [6059674-1](#) [619550-1](#) [630059-000](#) [M39030/3-01N](#) [M3933/25-36N](#) [6500-7071-046](#) [6769](#) [CX050L2AQ](#) [7002-1542-011](#) [7004-1512-000](#) [7009-1511-004](#) [7010-1511-000](#) [7029-1511-060](#) [7101-1541-010](#) [7101-1571-002](#) [7105-1521-002](#) [7145-1521-002](#) [7203-1571-003](#) [7209-1511-011](#) [7210-1511-015](#) [7210-1511-019](#) [73137-5015](#) [73216-2241](#) [7325-1512-000](#) [73404-2300](#) [7405-1521-005](#) [7405-1521-802](#) [7406-1521-005](#) [8527](#) [8547](#) [FS11V](#) [8808-1511-001](#) [9049-9513-000](#) [9074-9513-000](#) [9101-9573-002](#) [910A205F](#) [9130-9573-002](#) [PL11SC-026](#) [PL375-33](#) [PL40-5](#) [PL71-9](#) [PL74C-221](#) [PL75MC-217](#) [PL803-7](#) [980-8666-005](#)