

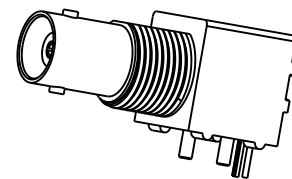
NOTES:

1. MATERIALS AND FINISHES:
 BODY - ZINC DIE CAST, NICKEL PLATING
 CONTACT - PHOSPHOR BRONZE, GOLD PLATING (.000003" THICK)
 AT CONTACT AREA ONLY, TIN PLATING AT TAIL, NICKEL PLATED OVERALL
 INSULATOR - POLYPROPYLENE
 HOUSING - PBT 15% G.F., WHITE
 ROUND PIN - BRASS, TIN PLATING
 GROUNDING TERMINAL - STEEL, TIN PLATING
2. ELECTRICAL:
 A. IMPEDANCE: 50 OHM
 B. FREQUENCY RANGE: DC - 1 GHz
 C. DIELECTRIC WITHSTANDING VOLTAGE: 1500 VRMS, MIN.
3. MECHANICAL:
 A. DURABILITY: 500 CYCLES MIN.
 B. TEMPERATURE RANGE: -55° C TO 85° C
4. PACKAGING:
 A. PACKAGED IN PACKING TRAYS
 B. QUANTITY PER TRAY: 40
 C. HEX NUT AND LOCKWASHER PACKAGED LOOSE
5. SUPPLIED MOUNTING HARDWARE
 TO BE TIGHTENED TO 10 IN-LBS MIN/15 IN-LBS MAX
 WHEN ASSEMBLING TO PANEL

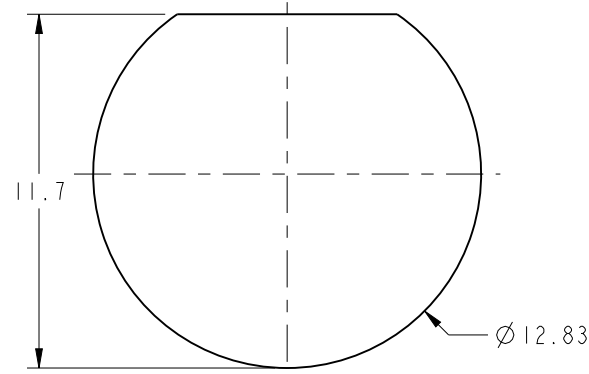
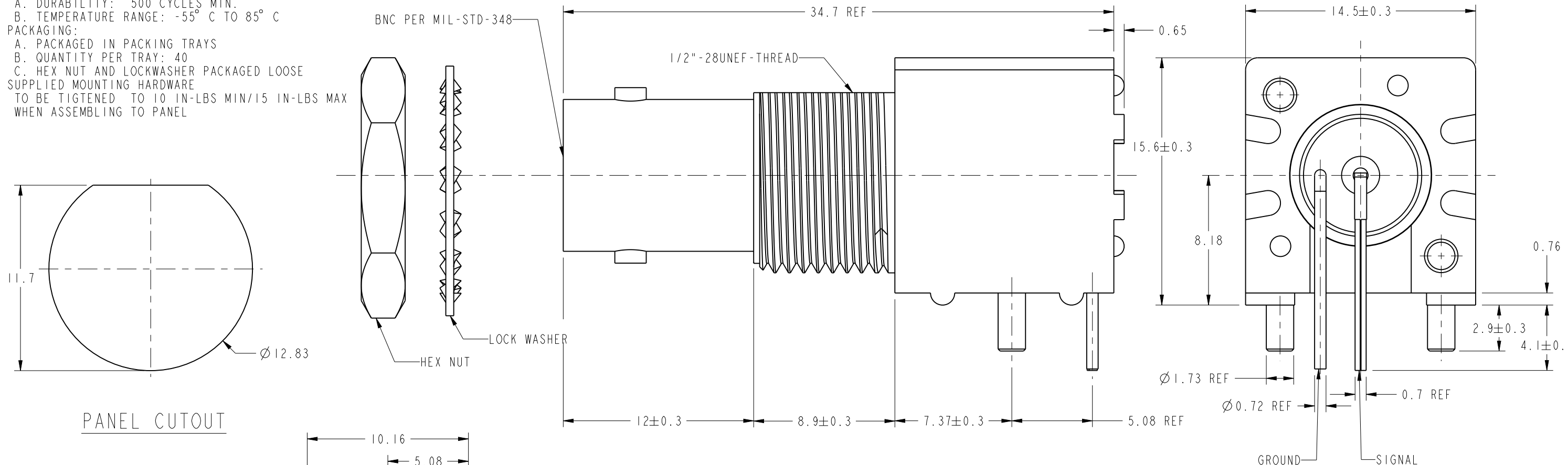
THIRD ANGLE PROJ.

REVISIONS

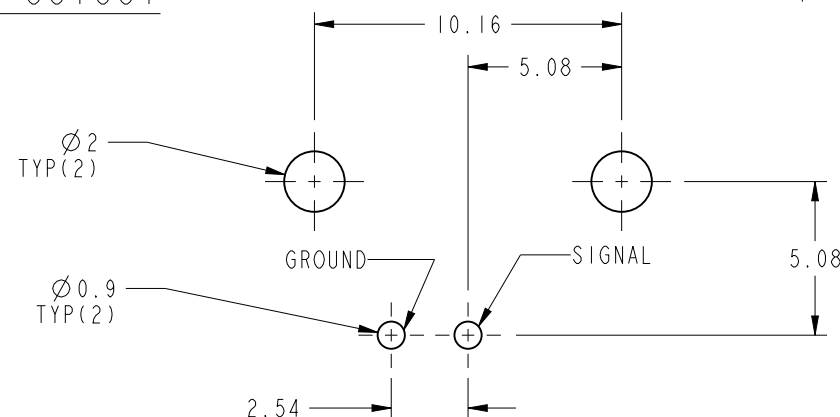
REV	DESCRIPTION	DATE	ECO	APPR
A	RELEASE TO MFG.	6/27/89	36598	DR
J	REDRAWN WAS SIZE 'C', DEL NOTE 1 THRU 4; ADD NOTES 8 THRU 10 & PLATE CODES; DEL ITEMS 2 THRU 4; ITEM 1 WAS 12382	11/27/96	41683	CPM/
K	ITEM 5 WAS 31-12070-TP	8/26/05	45703	CPM/
L	UPDATED FORMAT AND NOMINAL ENVELOPE DIMENSIONS	11/29/12	49265	EW
M	ADDED PICTURES OF SUPPLIED HARDWARE	7/15/13	49574	EW
N	AT WAS @, REARRANGED VIEWS, RELEASED AT ARFA	8/27/13	49702	EW



SCALE 1.000



PANEL CUTOUT



RECOMMENDED PCB LAYOUT

CUSTOMER OUTLINE DRAWING

ALL OTHER SHEETS ARE FOR INTERNAL USE ONLY

UNLESS OTHERWISE SPECIFIED, DIMENSIONS ARE IN METRIC AND TOLERANCES ARE:
 <0.5mm ± 0.05mm 0.5 - 6mm ± 0.1mm 6 - 30mm ± 0.2mm 30 - 120mm ± 0.3mm ANGLES ± 1°

NOTICE - These drawings, specifications, or other data (1) are, and remain the property of Amphenol corp. (2) must be returned upon request; and (3) are confidential and not to be disclosed to any person other than those to whom they are given by Amphenol Corp. the furnishing of these drawings, specifications, or other data by Amphenol Corp., or to any other person for any purpose is not to be regarded by implication or otherwise in any manner licensing, granting rights to permitting such holder or any other person to manufacture, use or sell any product, process or design, patented or otherwise, that may in any way be related to or disclosed by said drawings, specifications, or other data.

MATERIAL SEE NOTES	DRAWN ERIC WANKOFF	DATE 20-Jun-12
REFERENCE	ENGINEER D ROYCE	DATE 2/1/90
CONFIGURATION LEVEL:	APPROVED D ROYCE	DATE 2/1/90
FINISH	CAD FILE	

TITLE 50 OHM BNC R/A JACK, ISOLATED W/ HARDWARE
SCALE: 4.0:1.0 SHEET 2 OF 2
DWG SIZE B
REV N

Amphenol RF www.amphenolrf.com	
DRAWING NO. 31-5431-2010	
ITEM NO. 31-5431-2010	
PART NO. 31-5431-2010	

X-ON Electronics

Largest Supplier of Electrical and Electronic Components

Click to view similar products for [RF Connectors / Coaxial Connectors](#) category:

Click to view products by [Amphenol](#) manufacturer:

Other Similar products are found below :

[8915-1511-000](#) [89674-0827](#) [6001-7071-019](#) [6002-7051-003](#) [6002-7551-202](#) [6059674-1](#) [619550-1](#) [630059-000](#) [M39030/3-01N](#) [M3933/25-36N](#) [6500-7071-046](#) [6769](#) [CX050L2AQ](#) [7002-1542-011](#) [7004-1512-000](#) [7009-1511-004](#) [7010-1511-000](#) [7029-1511-060](#) [7101-1541-010](#) [7101-1571-002](#) [7105-1521-002](#) [7145-1521-002](#) [7203-1571-003](#) [7209-1511-011](#) [7210-1511-015](#) [7210-1511-019](#) [73137-5015](#) [73216-2241](#) [7325-1512-000](#) [73404-2300](#) [7405-1521-005](#) [7405-1521-802](#) [7406-1521-005](#) [8527](#) [8547](#) [FS11V](#) [8808-1511-001](#) [9049-9513-000](#) [9074-9513-000](#) [9101-9573-002](#) [910A205F](#) [9130-9573-002](#) [PL11SC-026](#) [PL375-33](#) [PL40-5](#) [PL71-9](#) [PL74C-221](#) [PL75MC-217](#) [PL803-7](#) [980-8666-005](#)