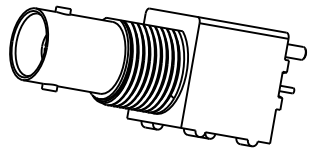


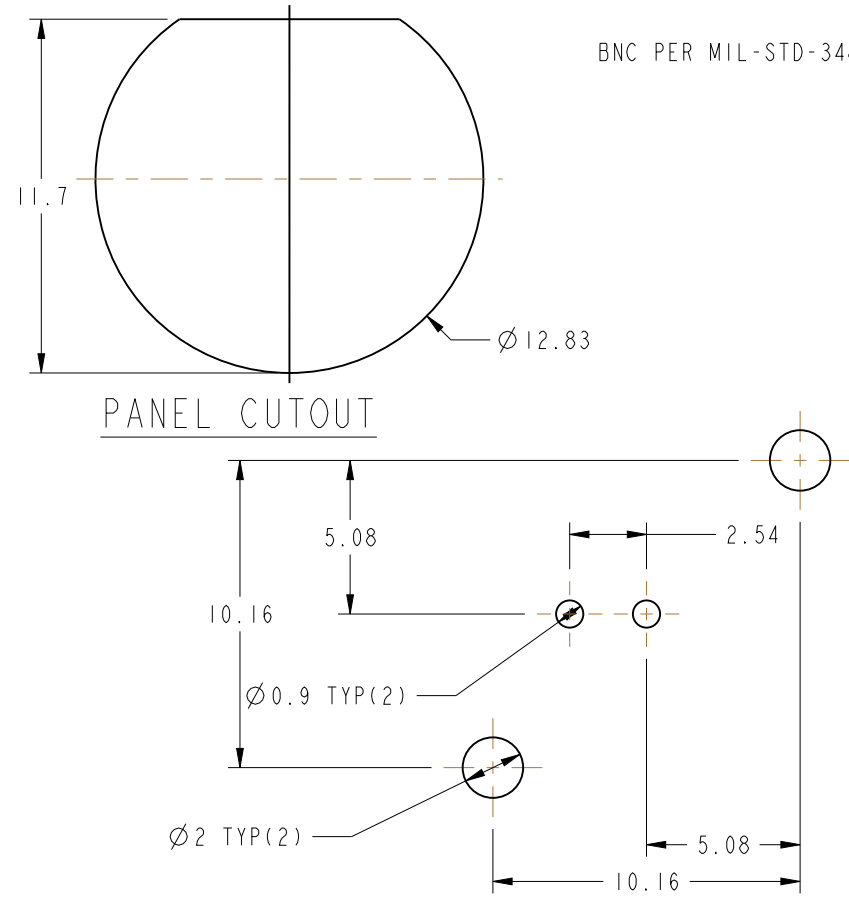
- NOTES:
- MATERIALS AND FINISHES:
 BODY - ZINC DIE CAST, NICKEL PLATING
 CONTACT - PHOSPHOR BRONZE, GOLD PLATING (.000003 THICK)
 @ CONTACT AREA ONLY, TIN PLATING AT TAIL, NICKEL PLATED OVERALL
 INSULATOR - POLYPROPYLENE
 HOUSING - PBT 15% G.F., BLACK
 ROUND PIN - BRASS, TIN PLATING
 GROUNDNG TERMINAL - STEEL, TIN PLATING
 - ELECTRICAL:
 A. IMPEDANCE: 50 OHM
 B. FREQUENCY RANGE: DC - 1 GHz
 C. DIELECTRIC WITHSTANDING VOLTAGE: 1500 VRMS, MIN.
 - MECHANICAL:
 A. DURABILITY: 500 CYCLES MIN.
 B. TEMPERATURE RANGE: -55° C TO 85° C
 - PACKAGING:
 A. PACKAGED IN PACKING TRAYS
 B. QUANTITY PER TRAY: 40
 - SEPERATELY SUPPLIED MOUNTING HARDWARE TO BE TIGHTENED TO 10 IN-LBS MIN/ 15 IN-LBS MAX WHEN ASSMEBLED TO PANEL

THIRD ANGLE PROJ.

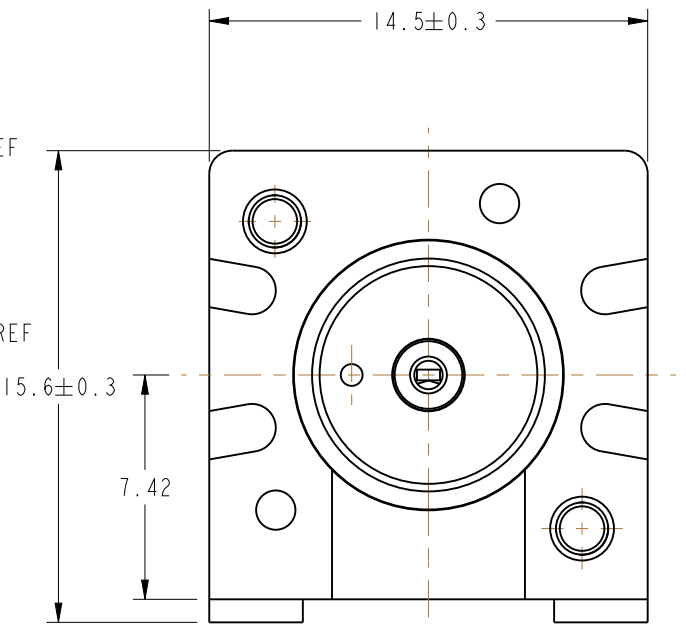
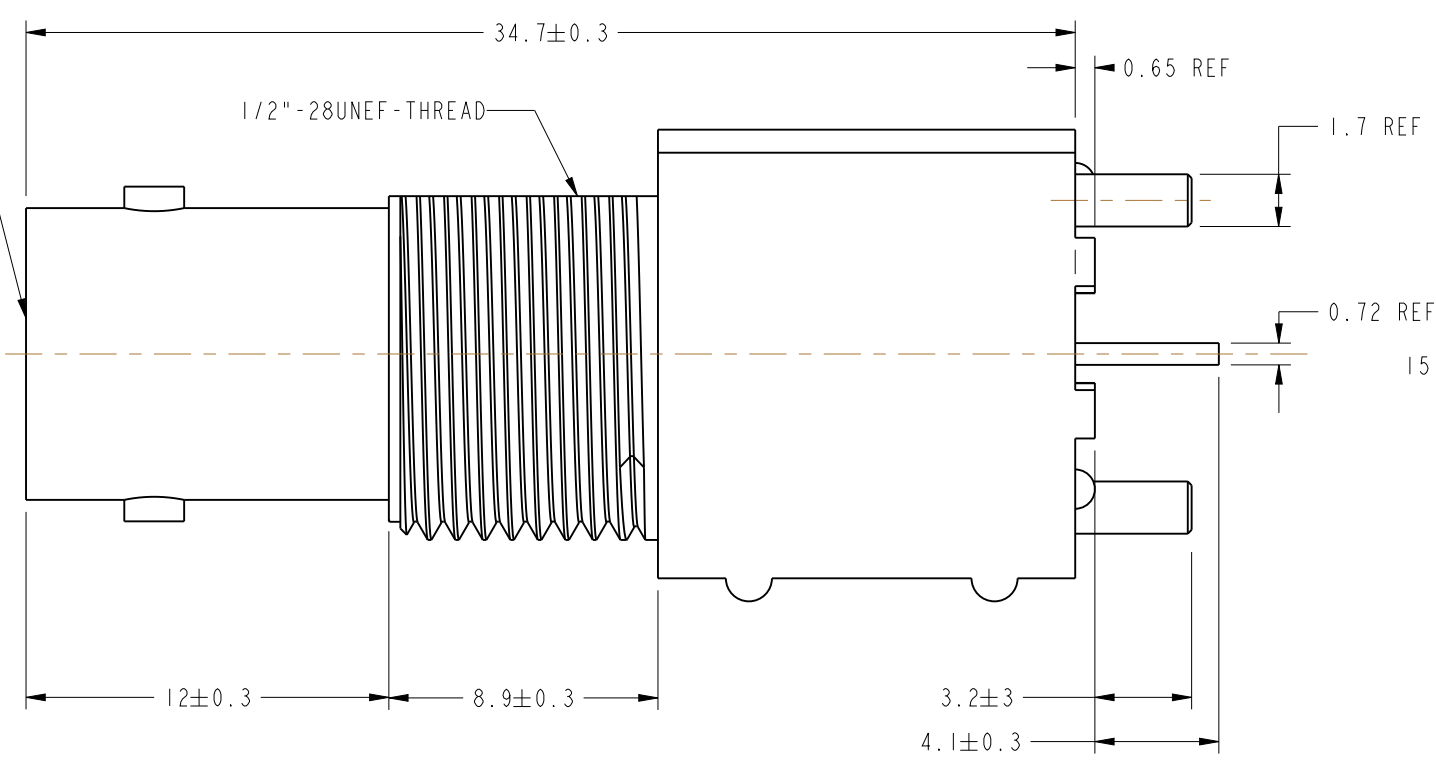
REVISIONS				
REV	DESCRIPTION	DATE	ECO	APPR
A	RELEASE TO MFG.	3/15/90	37099	DR
H	UPDATED FORMAT AND NOMINAL ENVELOPE DIMENSIONS	10/2/12	49265	EW



SCALE 1.000



BNC PER MIL-STD-348



CUSTOMER OUTLINE DRAWING
 ALL OTHER SHEETS ARE FOR INTERNAL USE ONLY

UNLESS OTHERWISE SPECIFIED, DIMENSIONS ARE IN METRIC AND TOLERANCES ARE: <0.5mm ± 0.05mm 0.5 - 6mm ± 0.1mm 6 - 30mm ± 0.2mm 30 - 120mm ± 0.3mm ANGLES ± 1°	MATERIAL SEE NOTE	DRAWN ERIC WANKOFF	DATE 20-Jun-12	TITLE 50 OHM BNC STR JACK, ISOLATED	Amphenol RF www.amphenolrf.com	
	REFERENCE	ENGINEER D ROYCE	DATE 20-Jun-12			
	CONFIGURATION LEVEL:	APPROVED D ROYCE	DATE	SCALE: 4.0:1.0	SHEET 2 OF 2	DRAWING NO. 31-5539
	FINISH	CAD FILE		DWG SIZE B	REV H	ITEM NO. 31-5539 PART NO. 31-5539

NOTICE - These drawings, specifications, or other data (1) are, and remain the property of Amphenol corp. (2) must be returned upon request; and (3) are confidential and not to be disclosed to any person other than those to whom they are given by Amphenol Corp. the finishing of these drawings, specifications, or other data by Amphenol Corp., or to any other person to anyone for any purpose is not to be regarded by implication or otherwise in any manner licensing, granting rights to permitting such holder or any other sperson to manufacture, use or sell any product, process or design, patented or otherwise, that may in any way be related to or disclosed by said drawings, specifications, or other data.

X-ON Electronics

Largest Supplier of Electrical and Electronic Components

Click to view similar products for [Amphenol manufacturer](#):

Other Similar products are found below :

[PT06SE-14-19S\(LC\)](#) [EN2997SE01006MN](#) [CTV06RW-11-2JB-LC](#) [JTPQ00RT-16-35P\(453\)](#) [MS3106B18-11PX](#) [TRX10GDP0311A1](#) [10-507142-843](#) [MS3106A2020S](#) [D38999/24FD97PB](#) [JT07RT-22-35PC](#) [PT02E8-2S-072](#) [97-3108A14S-5PX](#) [MS27468E25F43S](#)
[D38999/24FJ4PC](#) [JT07RT-8-35S](#) [MS27468E15F19PLC](#) [GTC030-28-21P-025-A31](#) [GTS030AF20-27SZ-B30](#) [AIB2-22-14SC-072](#)
[GTS030AF20-27SY-B30](#) [GTS030AF20-27SX-B30](#) [GTS030AF20-27SW-B30](#) [AIB2-22-22SC-RDS-072](#) [AIB2-22-22PC-072](#) [97-3108A-22-22S\(417\)](#) [MS3108B28-15PY](#) [JT07RT-22-14PB-453](#) [MS3454L32-17PX](#) [159-2801-020](#) [TVS07RF-21-79S\(LC\)](#) [PT07SE2225S](#)
[MS3102R1813S](#) [GTS00A-28-84S](#) [D38999/26MJ29HN](#) [D38999/26JH21JN](#) [PT03SE-14-12PLC](#) [GTC030AF20-23SZ-LC](#) [GTS02R14S-2SY-116](#) [CTVS06RF-17-6BB](#) [CTVS06RF-17-35BB](#) [GTC030AF20-23SX-B30-LC](#) [JT07RE-22-21S](#) [D38999/24WE99PB](#) [JT07RT-22-35PA](#)
[JT07RT-22-35P](#) [D38999/24WE8PNLC](#) [D38999/26JH21HN](#) [TVS07RF-17-8P\(LC\)](#) [JT07RT-22-35PB](#) [97-3108A24-22P](#)