

NOTES:

1. MATERIALS AND FINISHES:

- FERRULE - BRASS, NICKEL PLATING (.000100" MIN. THICK OVER COPPER STRIKE)
- WASHER - BRASS, NICKEL PLATING (.000100" MIN. THICK OVER COPPER STRIKE)
- RETAINER RING - BRASS, NICKEL PLATING (.000100" MIN. THICK OVER COPPER STRIKE)
- SPRING - BeCu, NICKEL PLATING (.000100" MIN. THICK OVER COPPER STRIKE)
- COUPLING NUT - BRASS, NICKEL PLATING (.000100" MIN. THICK OVER COPPER STRIKE)
- BODY - BRASS, NICKEL PLATING (.000100" MIN. THICK OVER COPPER STRIKE)
- CONTACT - BRASS, GOLD PLATING (.000003" MIN. THICK OVER NICKEL PLATING .000100" MIN. THICK OVER COPPER STRIKE)
- GASKET - SILICONE RUBBER, RED
- INSULATOR - DELRIN, NATURAL

2. ELECTRICAL:

- A. IMPEDANCE: 50 OHM
- B. FREQUENCY RANGE: DC - 4 GHz
- C. DIELECTRIC WITHSTANDING VOLTAGE: 1500 VRMS, MIN.

3. MECHANICAL:

- A. TEMPERATURE RANGE: -40 TO +85 °C
- B. DURABILITY: 500 CYCLES MIN.

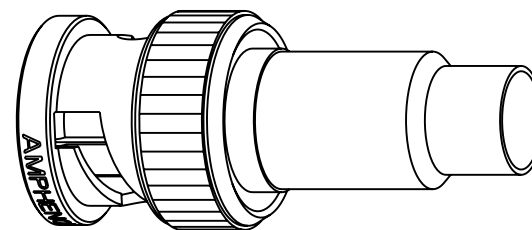
4. CRIMPED FERRULE HEX. CRIMP SIZE .305"

5. CABLE ENTRY DIMENSIONS

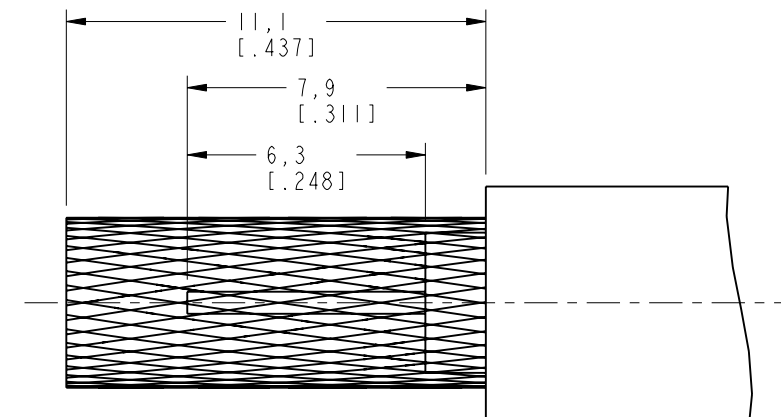
THIRD ANGLE PROJ.

REVISIONS

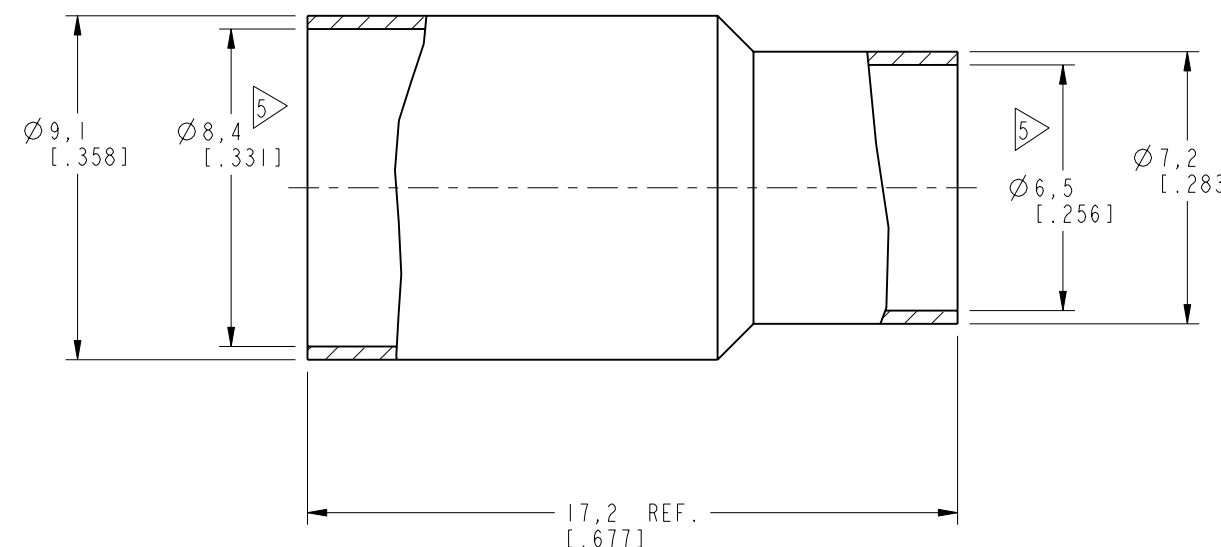
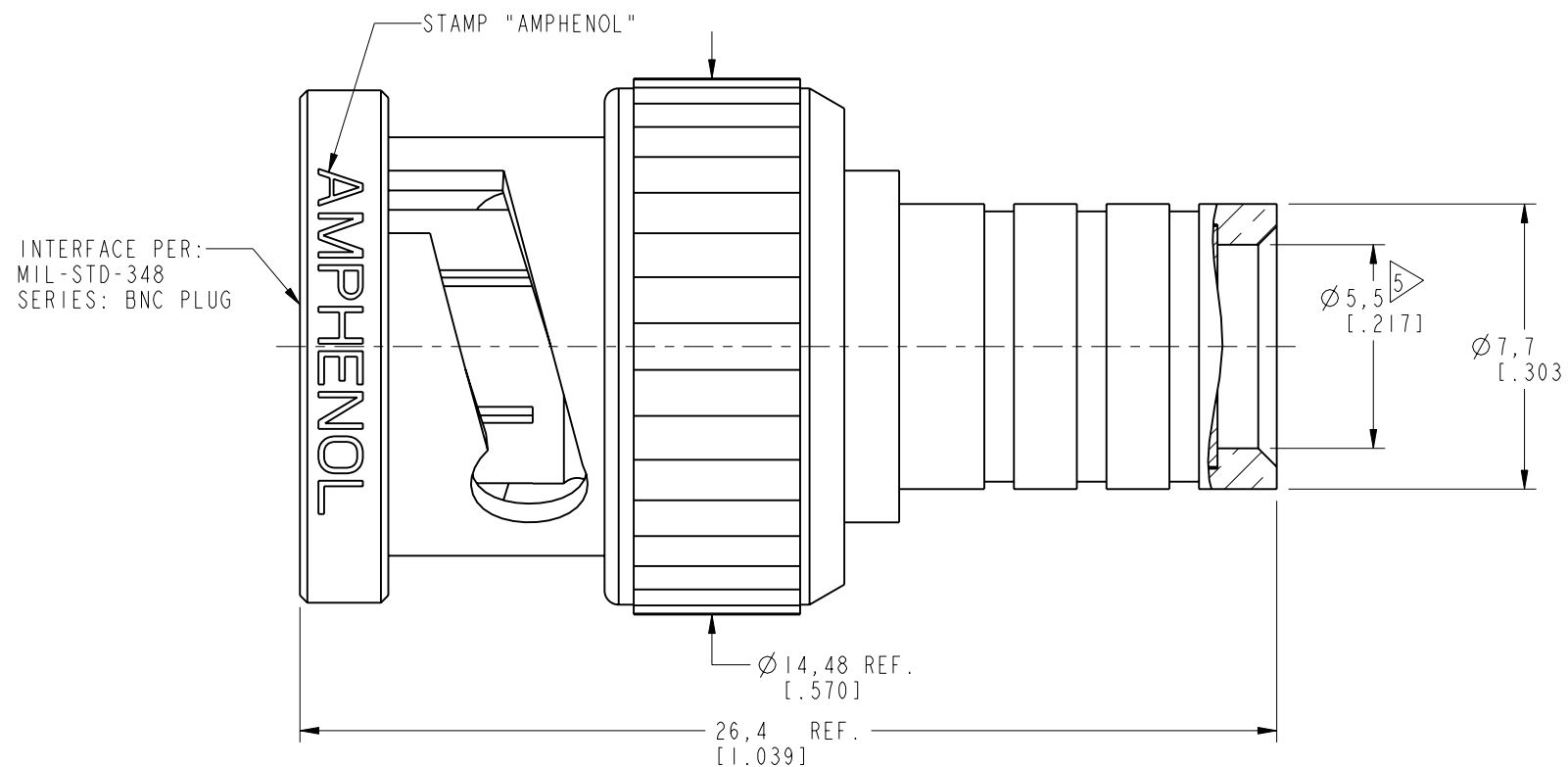
REV	DESCRIPTION	DATE	ECO	APPR
A	OFFICIAL ENG. RELEASE TO MFG.	10/2/91	38063	DR
B	REDRAWN TO UPDATE FORMAT	11-Mar-08	----	AW
C	SYNC, ADDED STAMP "AMPHENOL"	30-Jul-18	08741	SH



SCALE 2.000



RECOMMENDED
CABLE STRIPPING DIM'S



CUSTOMER OUTLINE DRAWING

ALL OTHER SHEETS ARE FOR INTERNAL USE ONLY

<p>UNLESS OTHERWISE SPECIFIED, DIMENSIONS ARE IN METRIC AND TOLERANCES ARE: <0.5mm ±0.05mm 0.5 - 6mm ±0.1mm 6 - 30mm ±0.2mm 30 - 120mm ±0.3mm ANGLES ±1°</p> <p>NOTICE - These drawings, specifications, or other data (1) are, and remain the property of Amphenol corp. (2) must be returned upon request; and (3) are confidential and not to be disclosed to any person other than those to whom they are given by Amphenol Corp. the furnishing of these drawings, specifications, or other data by Amphenol Corp., or to any other person to anyone for any purpose is not to be regarded by implication or otherwise in any manner licensing, granting rights to permitting such holder or any other person to manufacture, use or sell any product, process or design, patented or otherwise, that may in any way be related to or disclosed by said drawings, specifications, or other data.</p>	MATERIAL	DRAWN M. ZHANG	DATE 30-Jul-18	<p>TITLE BNC CRIMP PRESS-FIT PLUG USING RG-59, 62 CABLE (FOR 0.58~0.70MM PIN)</p>	<p>Amphenol RF www.amphenolrf.com</p>
	REFERENCE EAR# 962370 AND	ENGINEER ROBIN	DATE 08-Jun-00		
CONFIGURATION LEVEL: In Work	APPROVED S. HSIEH	DATE 30-Jul-18	SCALE: 5.0:1.0 SHEET 2 OF 2	ITEM NO. 011111AAA59ND5F	PART NO. 31-5556-RFX
FINISH	CAD FILE	DWG SIZE B	REV C		

X-ON Electronics

Largest Supplier of Electrical and Electronic Components

Click to view similar products for [RF Connectors / Coaxial Connectors](#) category:

Click to view products by [Amphenol](#) manufacturer:

Other Similar products are found below :

[8915-1511-000](#) [89674-0827](#) [6001-7071-019](#) [6002-7051-003](#) [6002-7551-202](#) [6059674-1](#) [619550-1](#) [630059-000](#) [M39030/3-01N](#) [M3933/25-36N](#) [6500-7071-046](#) [6769](#) [CX050L2AQ](#) [7002-1542-011](#) [7004-1512-000](#) [7009-1511-004](#) [7010-1511-000](#) [7029-1511-060](#) [7101-1541-010](#) [7101-1571-002](#) [7105-1521-002](#) [7145-1521-002](#) [7203-1571-003](#) [7209-1511-011](#) [7210-1511-015](#) [7210-1511-019](#) [73137-5015](#) [73216-2241](#) [7325-1512-000](#) [73404-2300](#) [7405-1521-005](#) [7405-1521-802](#) [7406-1521-005](#) [8527](#) [8547](#) [FS11V](#) [8808-1511-001](#) [9049-9513-000](#) [9074-9513-000](#) [9101-9573-002](#) [910A205F](#) [9130-9573-002](#) [PL11SC-026](#) [PL375-33](#) [PL40-5](#) [PL71-9](#) [PL74C-221](#) [PL75MC-217](#) [PL803-7](#) [980-8666-005](#)