

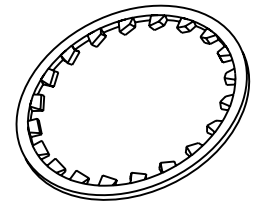
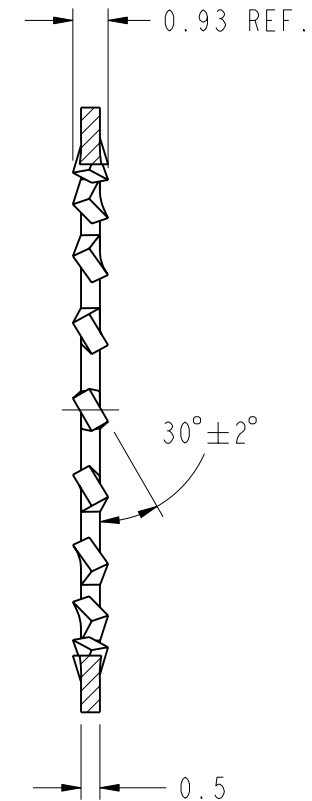
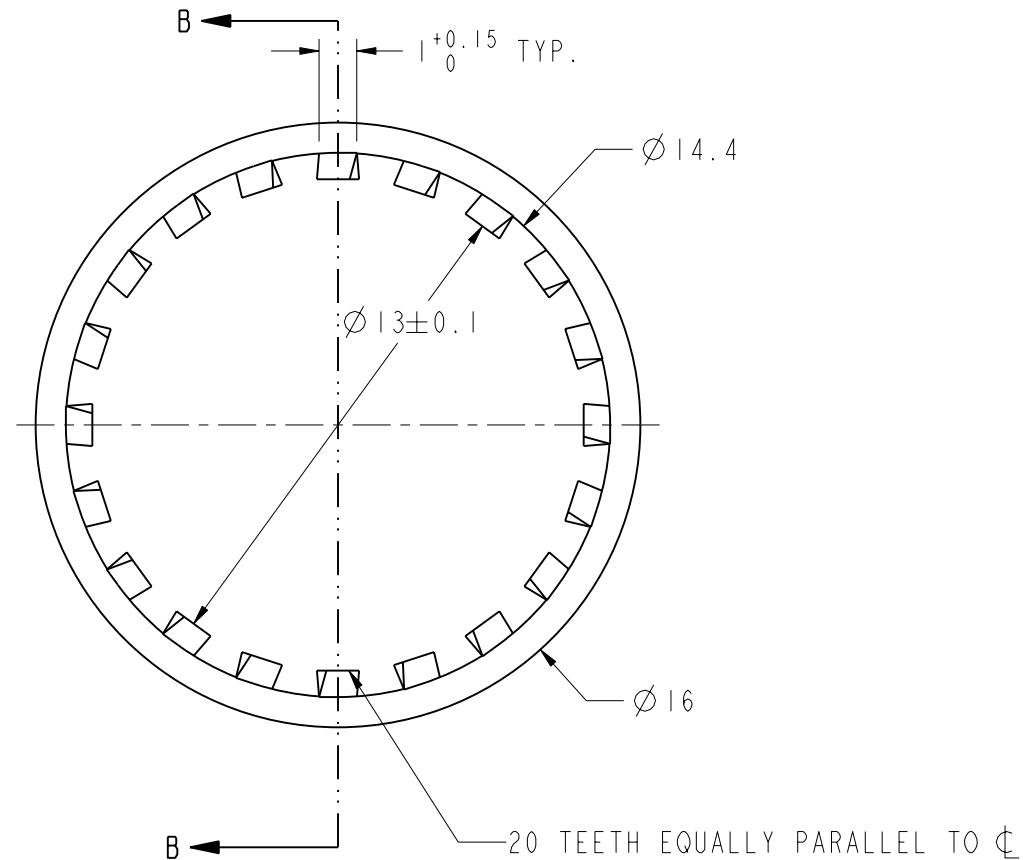
NOTES:

- MATERIAL AND FINISH (PLATING THICKNESS IN MICRO-INCHES):  
LOCK WASHER - PHOSPHOR, NICKEL PLATING
- BULKPACK 100 PCS . PER POLY BAG. MARK BAG "31-5653 QTY 100"

THIRD ANGLE PROJ.

REVISIONS

REV	DESCRIPTION	DATE	ECO	APPR
A	RELEASE TO MFG.	01-Nov-05		LIGHTER
B	REDRAWN TO FORMAT AND ADDED NOTES	23-Nov-09		SCOTT
C	TEETH DIRECTION WAS CHANGED; $\phi 13 \pm 0.1$ WAS $\phi 12.93$ ; $\phi 16$ WAS $15.88 \pm 0.12$ ; $0.5 \pm 0.02$ WAS $0.56 \pm 0.12$	31-Oct-11	48832	HS



**CUSTOMER OUTLINE DRAWING**

ALL OTHER SHEETS ARE FOR INTERNAL USE ONLY

UNLESS OTHERWISE SPECIFIED, DIMENSIONS ARE IN METRIC AND TOLERANCES ARE: 0.5 - 6mm $\pm 0.1$ mm 6 - 30mm $\pm 0.2$ mm 30 - 120mm $\pm 0.3$ mm ANGLES $\pm 1^\circ$	MATERIAL	DRAWN F. WANG	DATE 31-Oct-11	TITLE LOCK WASHER 100 PCS BULKPACK			Amphenol RF Danbury CT USA, Tainan, Taiwan, Shenzhen, China www.amphenolrf.com		
	REFERENCE AND CONFIGURATION LEVEL:	ENGINEER FIGO	DATE 31-Oct-11						
NOTICE - These drawings, specifications, or other data (1) are, and remain the property of Amphenol corp. (2) must be returned upon request; and (3) are confidential and not to be disclosed to any person other than those to whom they are given by Amphenol Corp. the finishing of these drawings, specifications, or other data by Amphenol Corp., or to any other person to anyone for any purpose is not to be regarded by implication or otherwise in any manner licensing, granting rights to permitting such holder or any other person to manufacture, use or sell any product, process or design, patented or otherwise, that may in any way be related to or disclosed by said drawings, specifications, or other data.	FINISH	APPROVED S. HSIEH	DATE 31-Oct-11	SCALE: 2.0:1.0	SHEET 2 OF 2	ITEM NO. 31-5653	PART NO. 31-5653		
		CAD FILE I:/HARD /31-5653	DWG SIZE B	CODE ID 74868	REV C				

## X-ON Electronics

Largest Supplier of Electrical and Electronic Components

*Click to view similar products for [Screws & Fasteners](#) category:*

*Click to view products by [Amphenol](#) manufacturer:*

Other Similar products are found below :

[5721-1440-1/4-SS](#) [593503FX](#) [0098.0094](#) [0098.9206](#) [0098.9219](#) [0098.9262](#) [596-2114-013](#) [59781-6](#) [0098.0026](#) [0098.9210](#) [0098.9212](#) [60227-01](#) [60227-04](#) [60227-08](#) [60687-01](#) [LOCK WASHER Black](#) [62153-03](#) [62153-11](#) [M316-KSSTMCZ100](#) [M3440-SS](#) [M3442-SS](#) [M3448-SS](#) [6292-1](#) [6-306105-9](#) [6-306131-4](#) [690432-1](#) [699161-000](#) [7230-3](#) [7244](#) [7248-1](#) [7248-2](#) [745564-1](#) [F1209](#) [751-00001](#) [7680](#) [809704-1](#) [8700](#) [8860220](#) [9047](#) [9521](#) [992326-6](#) [992763-3](#) [1-18024-0](#) [1-18028-2](#) [A168P1](#) [A495P1](#) [1-24921-1](#) [125416-1](#) [1260](#) [13-0036](#) [1301810148](#)