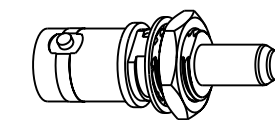


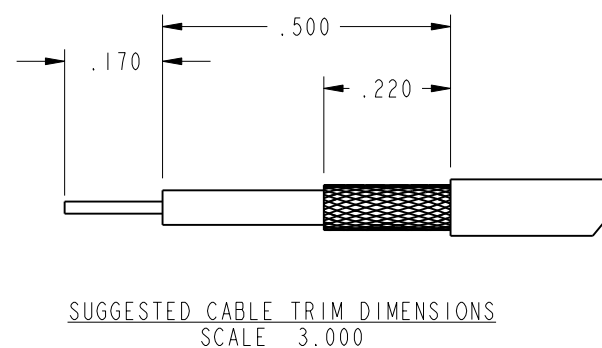
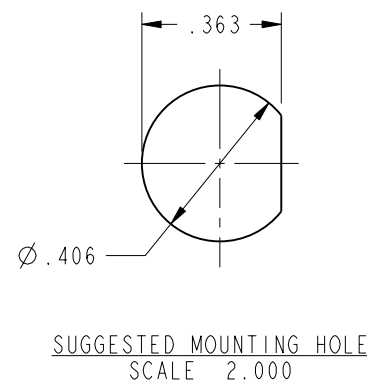
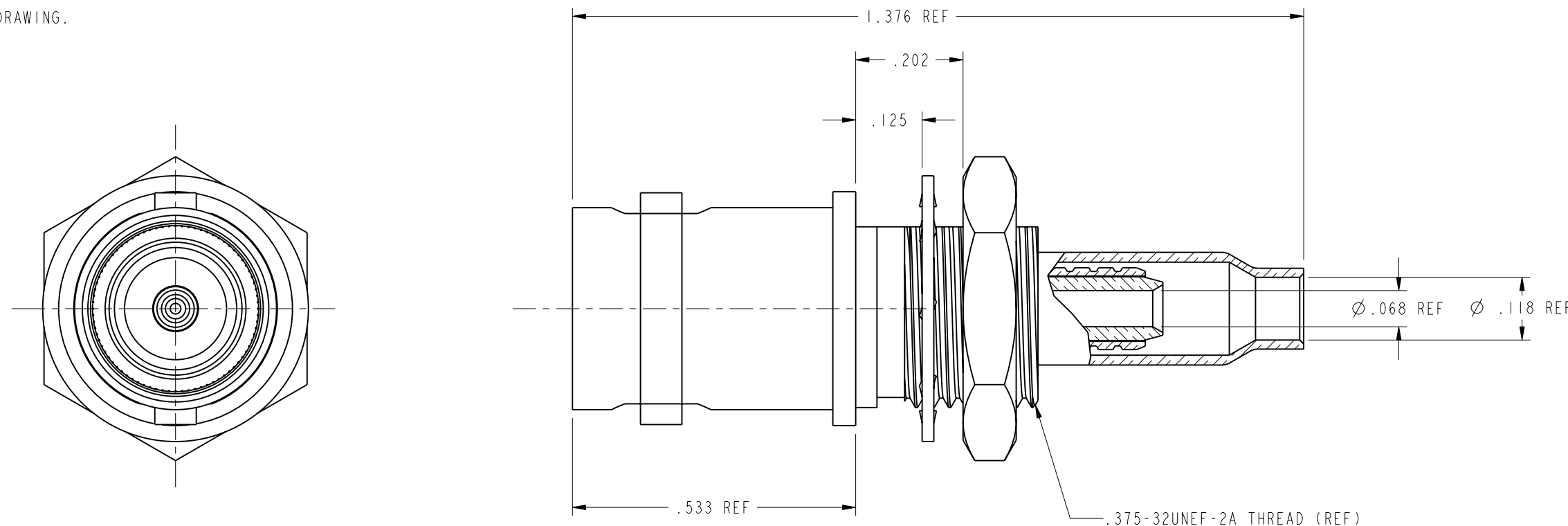
NOTES:

- MATERIALS OF CONSTRUCTION:
 BODY, SLEEVE, HEX NUT & WASHER - BRASS, NICKEL PLATING
 MALE CONTACT - BRASS, GOLD PLATED
 LOCKWASHER - PHOSPHOR BRONZE, NICKEL PLATED
 INSULATORS - PTFE
 FERRULE - COPPER ALLOY, NICKEL PLATING
- CUSTOMER NOTE:
 WHEN CRIMPING CONTACT TO CABLE CRIMP WITH AMPHENOL TOOL 227-944 (M22520/5-01) AND DIE SET 227-1221-09, CAVITY 'B' (M22520/5-09, CLOSURE 'B') OR CTL-2, .068 HEX. CRIMP FERRULE TO BODY USING AMPHENOL TOOL 227-944 (M22520/5-01) AND DIE SET 227-1221-09, CAVITY "A". (M22520/5-09, CLOSURE 'A') OR CTL-2, .178 HEX.
- DO NOT SCALE THIS DRAWING.

31-5787-T		REVISIONS			
DRAWING NO.	REV	DESCRIPTION	DATE	ECO	APPR
THIRD ANGLE PROJ.	A	RELEASE TO MFG.	7/29/98	42513	CPM/
	B	DEL HEX NUT & LOCKWASHER	9/23/98	42637	CPM/
	C	ADDED HEX NUT & LOCKWASHER	2/18/00	43257	CPM
	D	DEL CONT SOLDER REF IN NOTE 2	6/27/05	45599	CPM



SCALE 1.000



CUSTOMER OUTLINE DRAWING
ALL OTHER SHEETS ARE FOR INTERNAL USE ONLY

31-5787-0001	I	I	ASSEMBLY	---
PART NUMBER	QTY.	ITEM	DESCRIPTION	FINISH

UNLESS OTHERWISE SPECIFIED, DIMENSIONS ARE IN INCHES AND TOLERANCES ARE: 2 PLACE DECIMAL ±.015 (0,381 mm) 3 PLACE DECIMAL ±.005 (0,127 mm) ANGLES ± 1°	MATERIAL	DRAWN G. ANTONINI	DATE 12-Dec-97	TITLE BNC BULKHEAD JACK FRONT MOUNT REVERSE POLARITY RG-316\U CABLE	Amphenol RF Danbury, CT, USA Tainan, Taiwan Shenzhen, China www.amphenolrf.com
	REFERENCE EAR#966597-3 GEN# ASSYMR2_BNC	ENGINEER G. ANTONINI	DATE 12-Dec-97		
NOTICE - These drawings, specifications, or other data (1) are, and remain the property of Amphenol Corp. (2) must be returned upon request; and (3) are confidential and not to be disclosed to any person other than those to whom they are given by Amphenol Corp. The furnishing of these drawings, specifications, or other data by Amphenol Corp., or to any other person to anyone for any purpose is not to be regarded by implication or otherwise in any manner licensing, granting rights or permitting such holder or any other person to manufacture, use or sell any product, process or design, patented or otherwise, that may in any way be related to or disclosed by said drawings, specifications, or other data.		APPROVED T. AUBIN	DATE 7/28/98	CODE ID 74868	DWG SIZE B
		CAD FILE I:\BNC\31-5787-T		DRAWING NO. 31-5787-T	REV D

X-ON Electronics

Largest Supplier of Electrical and Electronic Components

Click to view similar products for [RF Connectors / Coaxial Connectors](#) category:

Click to view products by [Amphenol](#) manufacturer:

Other Similar products are found below :

[8915-1511-000](#) [89674-0827](#) [6001-7071-019](#) [6002-7051-003](#) [6002-7551-202](#) [6059674-1](#) [619550-1](#) [630059-000](#) [M39030/3-01N](#) [M3933/25-36N](#) [6500-7071-046](#) [6769](#) [CX050L2AQ](#) [7002-1542-011](#) [7004-1512-000](#) [7009-1511-004](#) [7010-1511-000](#) [7029-1511-060](#) [7101-1541-010](#) [7101-1571-002](#) [7105-1521-002](#) [7145-1521-002](#) [7203-1571-003](#) [7209-1511-011](#) [7210-1511-015](#) [7210-1511-019](#) [73137-5015](#) [73216-2241](#) [7325-1512-000](#) [73404-2300](#) [7405-1521-005](#) [7405-1521-802](#) [7406-1521-005](#) [8527](#) [8547](#) [FS11V](#) [8808-1511-001](#) [9049-9513-000](#) [9074-9513-000](#) [9101-9573-002](#) [910A205F](#) [9130-9573-002](#) [PL11SC-026](#) [PL375-33](#) [PL40-5](#) [PL71-9](#) [PL74C-221](#) [PL75MC-217](#) [PL803-7](#) [980-8666-005](#)