

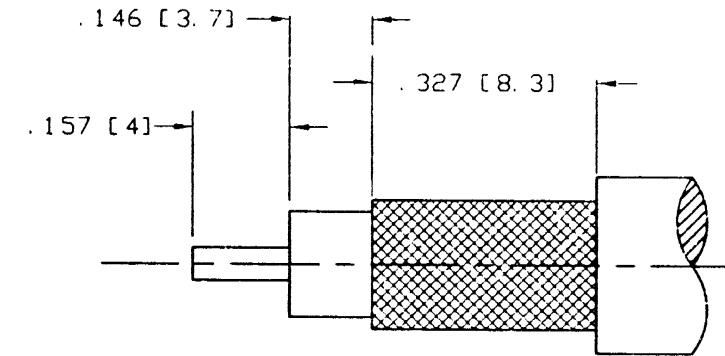
**NOTES:**

**1. MATERIALS OF CONSTRUCTION:**

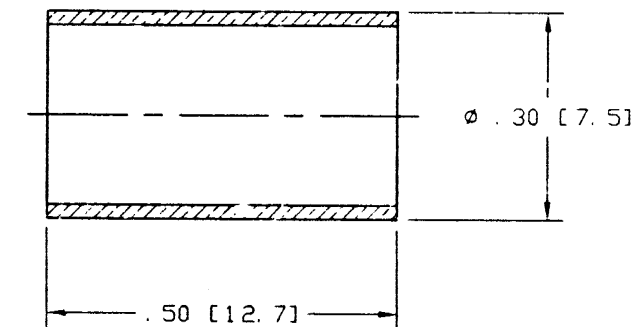
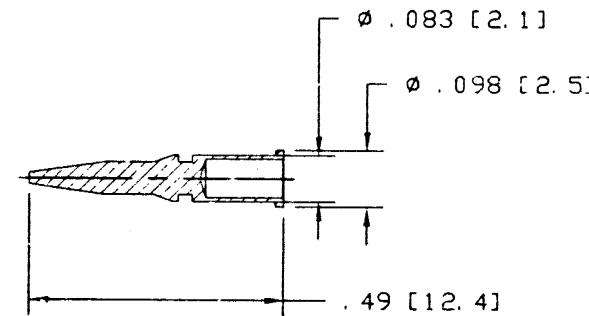
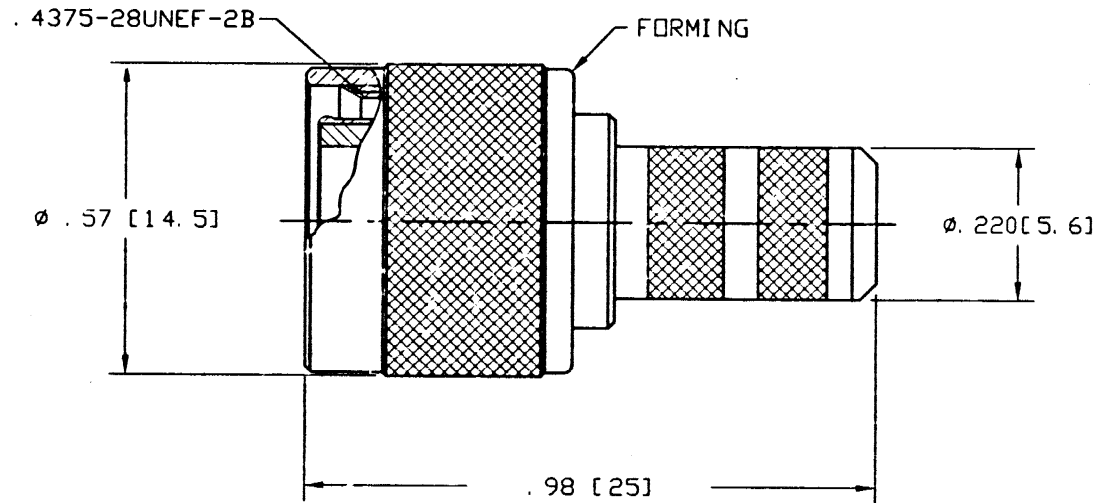
SHELL, RETAINER RING, BODY: BRASS PER QQ-B-626, NICKEL PLATED.  
 FERRULE: COPPER, NICKEL PLATED.  
 CONTACT PIN: BRASS PER QQ-B-626, GOLD PLATED.  
 WASHER: BRASS PER QQ-B-613, NICKEL PLATED.  
 RING: DELRIN, NATURAL.  
 GASKET: RUBBER, RED.  
 INSULATOR: TEFLON MIL-P-19468, NATURAL.

**2. DO NOT SCALE THIS DRAWING.**

31-6000-RFX		REVISIONS			
DRAWING NO	REV	DESCRIPTION	DATE	ECO	APP
THIRD ANGLE PROJ.	A	RELEASE TO MFG.	7/28/98	42549	T/V
	B	SEE SHEET 1	12/17/98	42779	CPM
	C	SEE SHEET 1	3/13/99	42889	CPM



RECOMMENDED  
CABLE STRIPPING DIM'S



CUSTOMER OUTLINE DRAWING

ENGLISH [METRIC]

UNLESS OTHERWISE SPECIFIED, DIMENSIONS ARE IN INCHES AND TOLERANCES ARE: 2 PLACE DECIMAL ± .015 (0,381 mm)    3 PLACE DECIMAL ± .005 (0,127 mm)    ANGLES ± 1°	MATERIAL	DRAWN T. VERHOEVEN	DATE 6/23/98	TITLE TNC CRIMP PLUG (FOR BELDEN RG-8/X, TIMES LMR-240MA)	<b>Amphenol</b> Amphenol Corporation RF/Microwave Operations Danbury, Conn. U.S.A. 06811			
	REFERENCE EAR# 967004-0	ENGINEER T. AUBIN	DATE 7/22/98	APPROVED T. AUBIN		DATE 7/22/98		
NOTICE - These drawings, specifications, or other data (1) are, and remain the property of Amphenol Corp. (2) must be returned upon request; and (3) are confidential and not to be disclosed to any person other than those to whom they are given by Amphenol Corp. The furnishing of these drawings, specifications, or other data by Amphenol Corp., or to any other person in any manner (licensing, granting rights, permitting such holder or any other person to manufacture, use or sell any product, process or design, patented or otherwise, that may in any way be related or disclosed by said drawings, specifications, or other data.		CAD FILE H:\DEPT611\BNC\031\ASSY\6000\RFXSH2	CODE ID 74868	BWG SIZE B	DRAWING NO 31-6000-RFX	SCALE 1:1	SHEET 2	OF 2

## X-ON Electronics

Largest Supplier of Electrical and Electronic Components

*Click to view similar products for [RF Connectors / Coaxial Connectors](#) category:*

*Click to view products by [Amphenol](#) manufacturer:*

Other Similar products are found below :

[8915-1511-000](#) [89674-0827](#) [6001-7071-019](#) [6002-7051-003](#) [6002-7551-202](#) [6059674-1](#) [619550-1](#) [630059-000](#) [M39030/3-01N](#) [M3933/25-36N](#) [6500-7071-046](#) [6769](#) [CX050L2AQ](#) [7002-1542-011](#) [7004-1512-000](#) [7009-1511-004](#) [7010-1511-000](#) [7029-1511-060](#) [7101-1541-010](#) [7101-1571-002](#) [7105-1521-002](#) [7145-1521-002](#) [7203-1571-003](#) [7209-1511-011](#) [7210-1511-015](#) [7210-1511-019](#) [73137-5015](#) [73216-2241](#) [7325-1512-000](#) [73404-2300](#) [7405-1521-005](#) [7405-1521-802](#) [7406-1521-005](#) [8527](#) [8547](#) [FS11V](#) [8808-1511-001](#) [9049-9513-000](#) [9074-9513-000](#) [9101-9573-002](#) [910A205F](#) [9130-9573-002](#) [PL11SC-026](#) [PL375-33](#) [PL40-5](#) [PL71-9](#) [PL74C-221](#) [PL75MC-217](#) [PL803-7](#) [980-8666-005](#)