

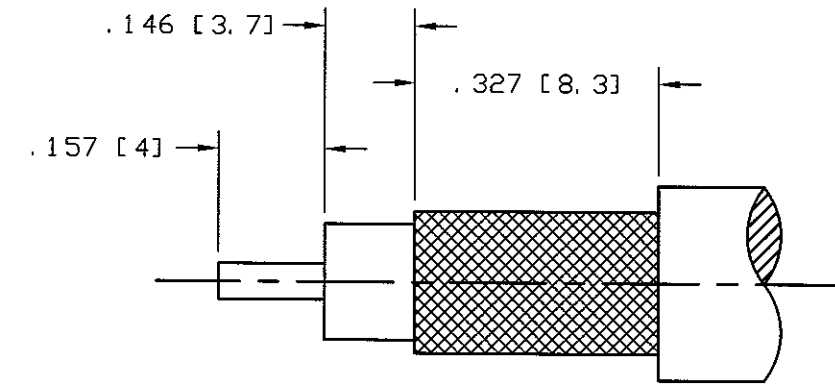
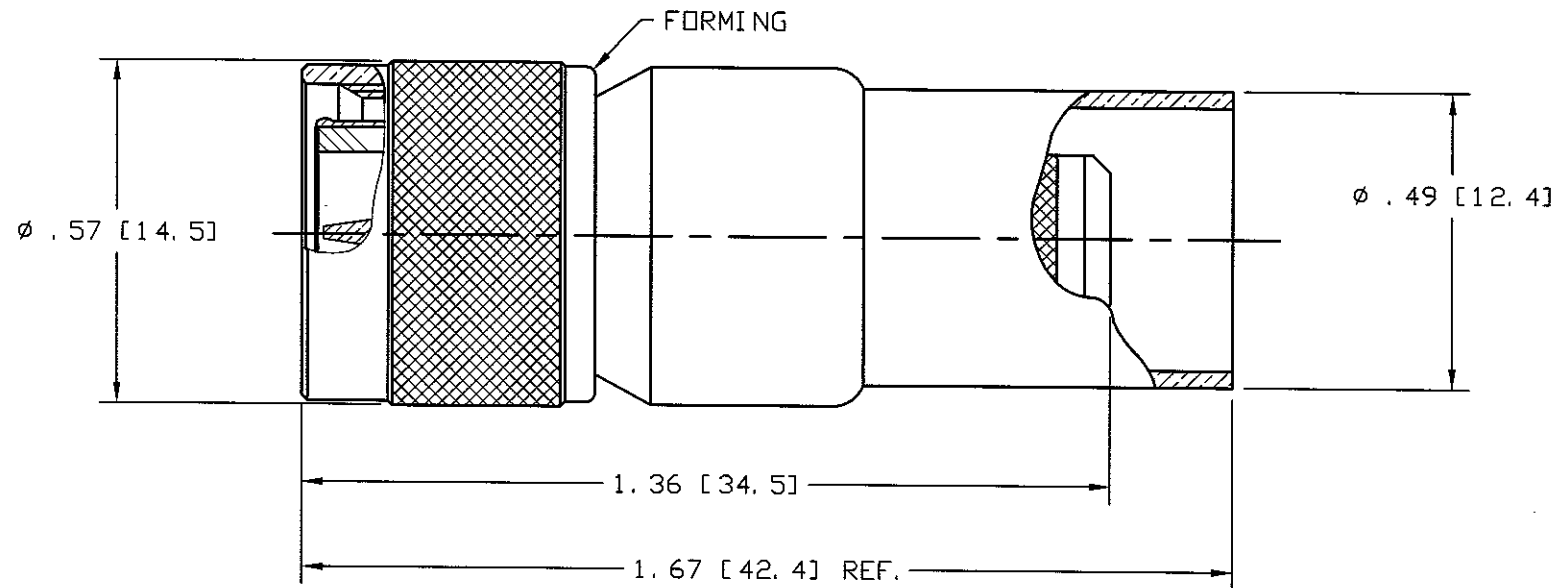
NOTES:

1. MATERIALS OF CONSTRUCTIONS:

- SHELL, RETAINER RING, BODY, BARREL: BRASS PER QQ-B-626, NICKEL PLATE .0001 MIN. THICK OVER COPPER PLATE .00005 MIN.
- FERRULE: COPPER, NICKEL PLATE .0001 MIN THICK OVER COPPER PLATE .00005 MIN.
- CONTACT PIN: BRASS PER QQ-B-626, GOLD PLATE .00003 MIN THICK OVER NICKEL PLATE .0001 MIN THICK OVER COPPER PLATE .00005 MIN.
- WASHER: BRASS PER QQ-B-613, NICKEL PLATE .0001 THICK OVER COPPER PLATE .000050 MIN.
- RING: DELRIN, NATURAL.
- GASKET: RUBBER, RED.
- INSULATOR: TEFLON MIL-P-19468, NATURAL.

2. DO NOT SCALE THIS DRAWING.

31-6001-RFX		REVISIONS			
DRAWING NO.	REV	DESCRIPTION	DATE	ECO	APPR
THIRD ANGLE PROJ.	A	RELEASE TO MFG.	7/28/98	42549	TV/
	B	SEE SHEET 1	12/17/98	42779	CPM/



RECOMMENDED  
CABLE STRIPPING DIM'S

CUSTOMER OUTLINE DRAWING

ENGLISH [METRIC]

UNLESS OTHERWISE SPECIFIED, DIMENSIONS ARE IN INCHES AND TOLERANCES ARE: 2 PLACE DECIMAL ±.015 (0,381 mm) 3 PLACE DECIMAL ±.005 (0,127 mm) ANGLES ± 1°	MATERIAL	DRAWN T. VERHOEVEN	DATE 6/24/98	TITLE	Amphenol Amphenol Corporation RF/Microwave Operations Danbury, Conn. U.S.A. 06810	
	REFERENCE EAR# 967004-0	ENGINEER T. AUBIN	DATE 7/22/98	TNC CRIMP PLUG (FOR BELDEN 8214, 9913)		
NOTICE - These drawings, specifications, or other data (1) are, and remain the property of Amphenol Corp. (2) must be returned upon request; and (3) are confidential and not to be disclosed to any person other than those to whom they are given by Amphenol Corp. The furnishing of these drawings, specifications, or other data by Amphenol Corp., or to any other person to anyone for any purpose is not to be regarded by implication or otherwise in any manner licensing, granting rights or permitting such holder or any other person to manufacture, use or sell any product, process or design, patented or otherwise, that may in any way be related to or disclosed by said drawings, specifications, or other data.		APPROVED T. AUBIN	DATE 7/22/98	SCALE: 4:1	SHEET 2 OF 2	
		CAD FILE H:\DEPT611\TNC\031\ASSY\6001\RFXSH2	CODE ID 74868	DWG SIZE B	DRAWING NO. 31-6001-RFX	REV B

## X-ON Electronics

Largest Supplier of Electrical and Electronic Components

*Click to view similar products for [RF Connectors / Coaxial Connectors](#) category:*

*Click to view products by [Amphenol](#) manufacturer:*

Other Similar products are found below :

[8915-1511-000](#) [89674-0827](#) [6001-7071-019](#) [6002-7051-003](#) [6002-7551-202](#) [6059674-1](#) [619550-1](#) [630059-000](#) [M39030/3-01N](#) [M3933/25-36N](#) [6500-7071-046](#) [6769](#) [CX050L2AQ](#) [7002-1542-011](#) [7004-1512-000](#) [7009-1511-004](#) [7010-1511-000](#) [7029-1511-060](#) [7101-1541-010](#) [7101-1571-002](#) [7105-1521-002](#) [7145-1521-002](#) [7203-1571-003](#) [7209-1511-011](#) [7210-1511-015](#) [7210-1511-019](#) [73137-5015](#) [73216-2241](#) [7325-1512-000](#) [73404-2300](#) [7405-1521-005](#) [7405-1521-802](#) [7406-1521-005](#) [8527](#) [8547](#) [FS11V](#) [8808-1511-001](#) [9049-9513-000](#) [9074-9513-000](#) [9101-9573-002](#) [910A205F](#) [9130-9573-002](#) [PL11SC-026](#) [PL375-33](#) [PL40-5](#) [PL71-9](#) [PL74C-221](#) [PL75MC-217](#) [PL803-7](#) [980-8666-005](#)