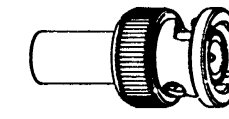


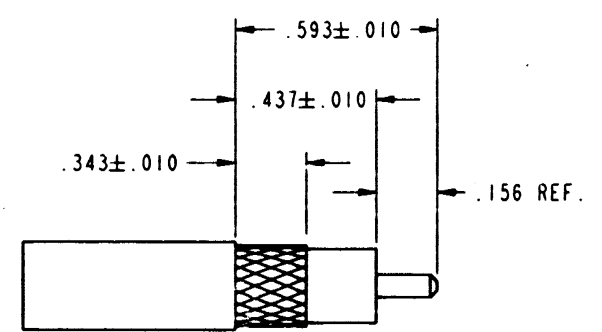
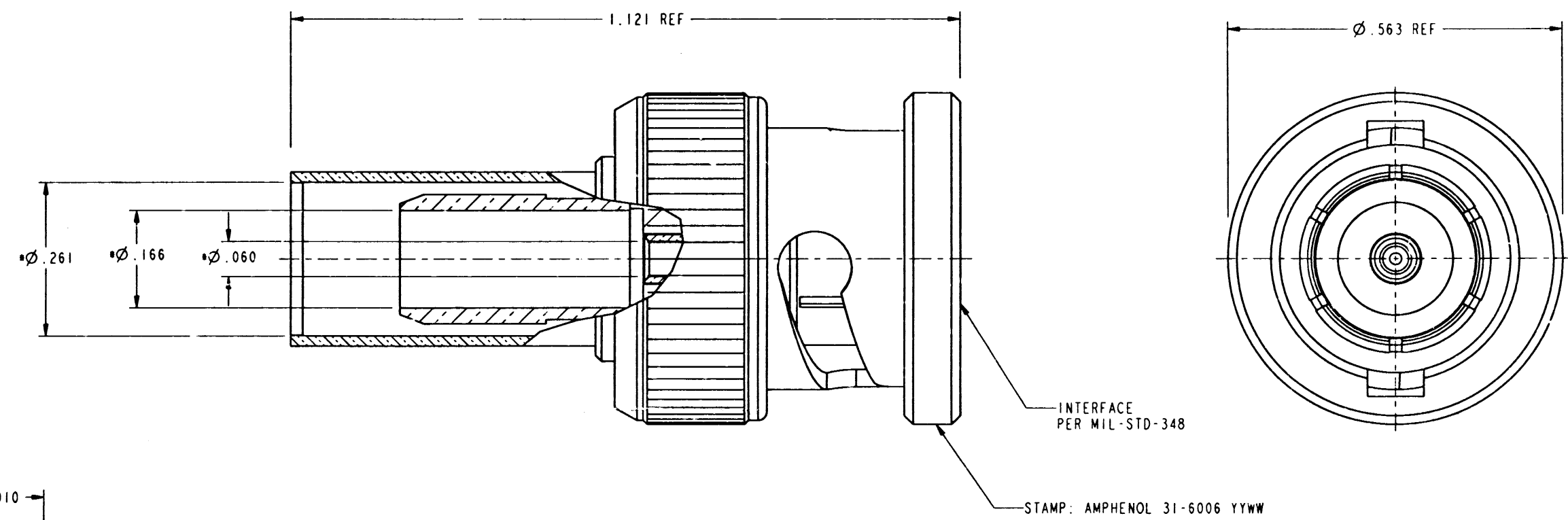
NOTES:

- MATERIALS OF CONSTRUCTION:  
 BODY, BAYONET SLEEVE & WASHER - BRASS, NICKEL PLATED .0001/.00025 OVER COPPER STRIKE  
 CONTACT - BRASS, GOLD PLATED .00005/.00007 OVER .00005/.00007 NICKEL  
 CRIMP FERRULE - COPPER ALLOY, NICKEL PLATED .0001/.00025 OVER COPPER STRIKE.  
 INSULATOR - PTFE  
 GASKET - SILICONE RUBBER.
- ASTERISK (\*) INDICATES CABLE ENTRY DIMENSIONS.
- DO NOT SCALE THIS DRAWING.
- UNLESS OTHERWISE SPECIFIED, ALL DIMENSIONS ARE AFTER PLATING.
- THIS PART NUMBER MEETS REQUIREMENTS OF MIL-C-39012.
- CRIMP USING AMPHENOL TOOL 227-944 (M22520/5-01) AND DIE SET 227-1221-13, CAVITY "A" (.255 HEX.) AND CAVITY "B" (.068 HEX.)

31-6006		REVISIONS			
DRAWING NO.	REV	DESCRIPTION	DATE	ECO	APPR
THIRD ANGLE PROJ.	A	OFFICIAL ENG. RELEASE TO MFG.	11/3/98	42717	GA



SCALE 1.000



RECOMMENDED CABLE STRIPPING DIMENSIONS

CUSTOMER OUTLINE DRAWING FOR REFERENCE ONLY

31-6006-0001	1	1	BNC PLUG CRIMP/CRIMP	
PART NUMBER	QTY.	ITEM	DESCRIPTION	FINISH

UNLESS OTHERWISE SPECIFIED, DIMENSIONS ARE IN INCHES AND TOLERANCES ARE: 2 PLACE DECIMAL ±.015 (0.331 mm) 3 PLACE DECIMAL ±.005 (0.127 mm) ANGLES ± 1°	MATERIAL	DRAWN G. ANTONINI	DATE 01-Jul-98	TITLE BNC PLUG CRIMP/CRIMP FOR TWB-2401 & LMR-240 CABLE	<b>Amphenol</b> Amphenol Corporation Communication and Network Products Division Danbury, CT U.S.A. 06810 SCALE: 5.0:1 SHEET 1 OF 1	
	REFERENCE EAR# 967020 GEN# ASSYM3_BNC	ENGINEER G. ANTONINI	DATE 01-Jul-98	APPROVED 		
NOTICE - These drawings, specifications, or other data (1) are, and remain the property of Amphenol Corp. (2) must be returned upon request; and (3) are confidential and not to be disclosed to any person other than those to whom they are given by Amphenol Corp. The furnishing of these drawings, specifications, or other data by Amphenol Corp. or to any other person to anyone for any purpose is not to be regarded by implication or otherwise in any manner licensing, granting rights or permitting such holder or any other person to manufacture, use or sell any product, process or design, patented or otherwise, that may in any way be related to or disclosed by said drawings, specifications, or other data.		CAD FILE I:\BNC\31-6006	CODE ID 74868	DWG SIZE B	DRAWING NO. 31-6006	REV A

## X-ON Electronics

Largest Supplier of Electrical and Electronic Components

*Click to view similar products for [RF Connectors / Coaxial Connectors](#) category:*

*Click to view products by [Amphenol](#) manufacturer:*

Other Similar products are found below :

[8915-1511-000](#) [89674-0827](#) [6001-7071-019](#) [6002-7051-003](#) [6002-7551-202](#) [6059674-1](#) [619550-1](#) [630059-000](#) [M39030/3-01N](#) [M3933/25-36N](#) [6500-7071-046](#) [6769](#) [CX050L2AQ](#) [7002-1542-011](#) [7004-1512-000](#) [7009-1511-004](#) [7010-1511-000](#) [7029-1511-060](#) [7101-1541-010](#) [7101-1571-002](#) [7105-1521-002](#) [7145-1521-002](#) [7203-1571-003](#) [7209-1511-011](#) [7210-1511-015](#) [7210-1511-019](#) [73137-5015](#) [73216-2241](#) [7325-1512-000](#) [73404-2300](#) [7405-1521-005](#) [7405-1521-802](#) [7406-1521-005](#) [8527](#) [8547](#) [FS11V](#) [8808-1511-001](#) [9049-9513-000](#) [9074-9513-000](#) [9101-9573-002](#) [910A205F](#) [9130-9573-002](#) [PL11SC-026](#) [PL375-33](#) [PL40-5](#) [PL71-9](#) [PL74C-221](#) [PL75MC-217](#) [PL803-7](#) [980-8666-005](#)