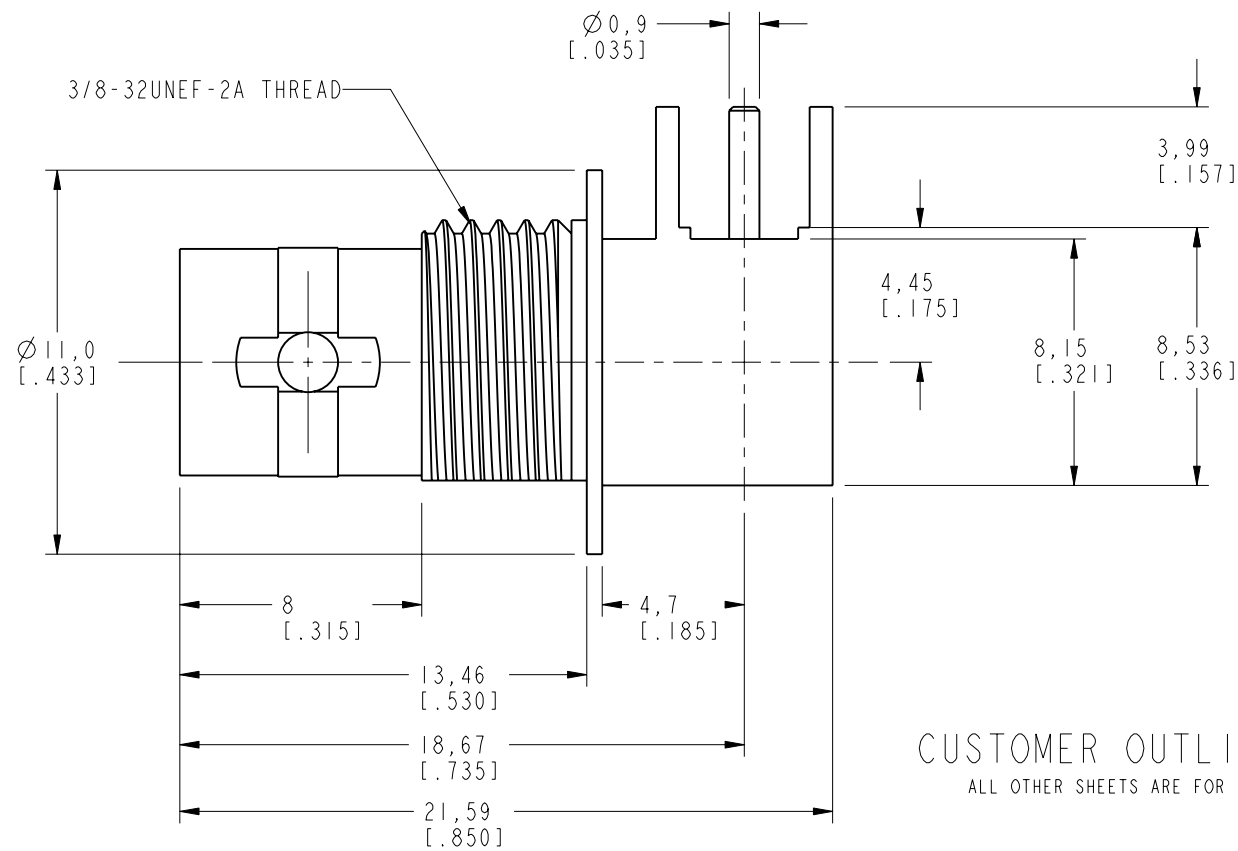
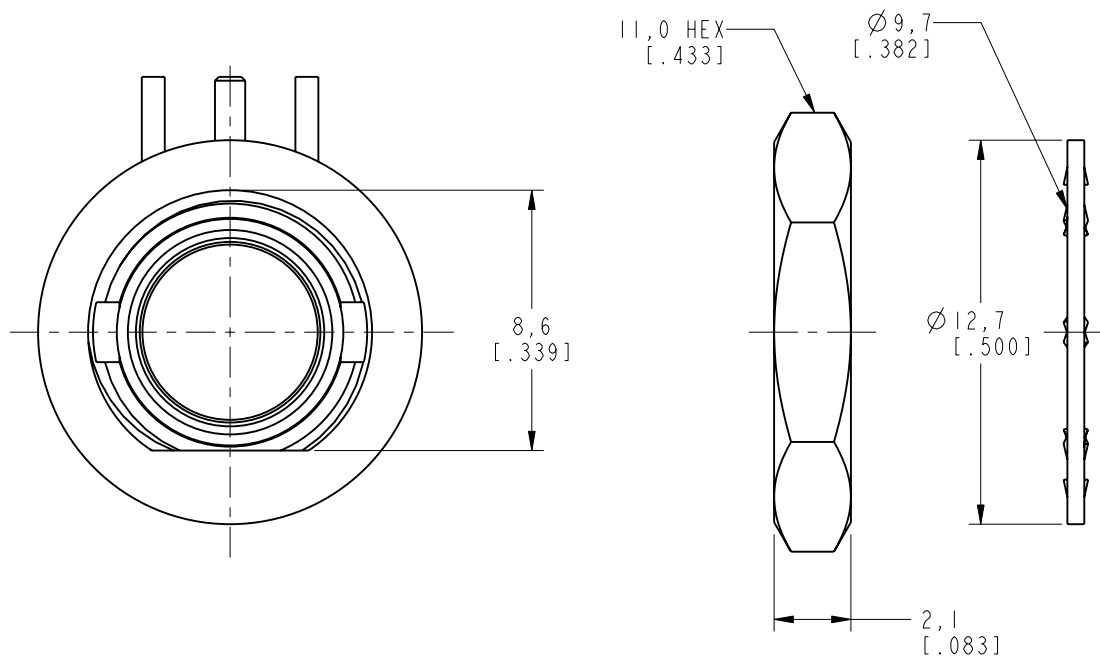
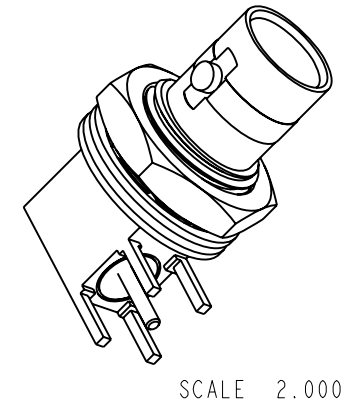
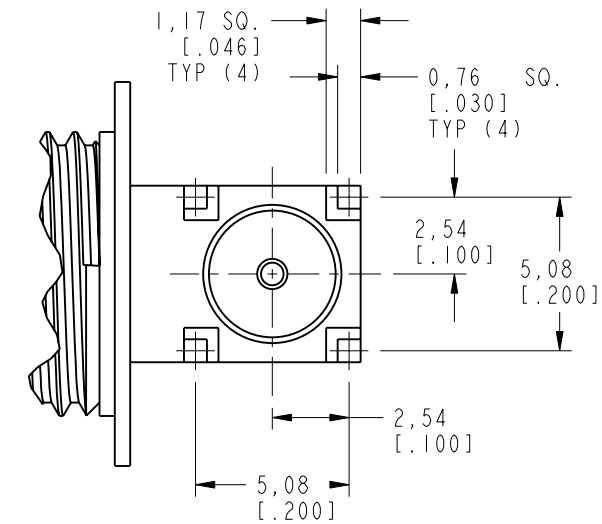
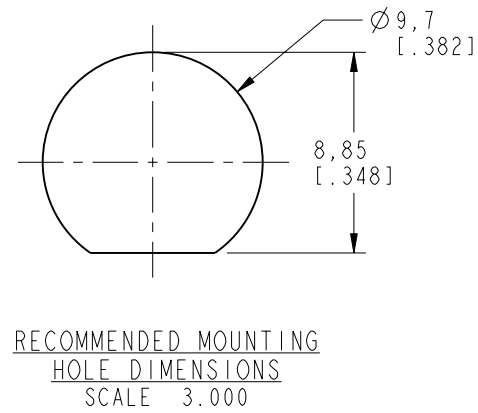
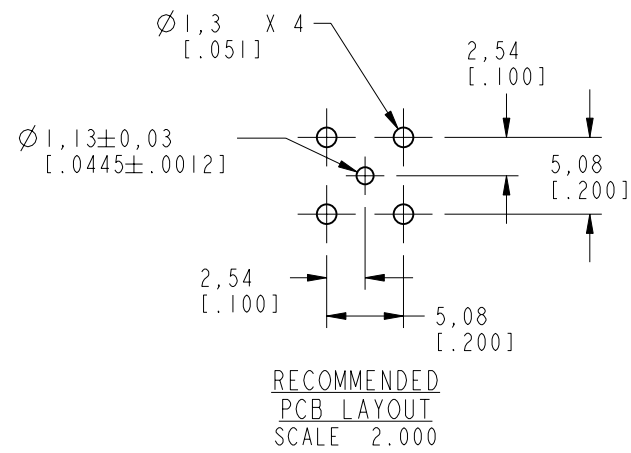


NOTES:

- MATERIALS OF CONSTRUCTION:
 HOUSING, BODY, LOCK RING & HEX NUT = BRASS (ASTM-B16 H02, C36000), NICKEL PLATED (.000100 THICK)
 CONTACT PIN = BeCu (QQ-C-530), GOLD PLATED (.000030 THICK)
 INSULATORS (2) = PTFE PER ASTM D 1710 OR EQUIV
 LOCKWASHER = BRASS (QQ-B-613), NICKEL PLATED (.000100 THICK)
- MAX. PANEL THICKNESS = 1.8mm [.071]

| 31-6055 | | REVISIONS | | | |
|-------------------|-----|--|---------|-------|------|
| DRAWING NO. | REV | DESCRIPTION | DATE | ECO | APPR |
| THIRD ANGLE PROJ. | A | RELEASE TO MFG. | 7/26/01 | 43813 | CPM |
| | B | SEE SHEET I | 2/12/03 | 44365 | CPM |
| | C | SEE SHEET I | 6/11/03 | 44509 | CPM |
| | D | SEE SHEET I | 4/10/06 | 46014 | CPM |
| | E | PCB LAYOUT WAS CABLE STRIP; CHGE LOC OF .175 DIM | 1/14/08 | 46897 | CPM |



CUSTOMER OUTLINE DRAWING
 ALL OTHER SHEETS ARE FOR INTERNAL USE ONLY

UNLESS OTHERWISE SPECIFIED, DIMENSIONS ARE IN MM (INCHES) AND TOLERANCES ARE:
 0.5 - 6mm ±0.2mm
 6 - 30mm ±0.4mm
 30 - 120mm ±0.6mm

NOTICE - These drawings, specifications, or other data (1) are, and remain the property of Amphenol Corp. (2) must be returned upon request; and (3) are confidential and not to be disclosed to any person other than those to whom they are given by Amphenol Corp. The furnishing of these drawings, specifications, or other data by Amphenol Corp., or to any other person to anyone for any purpose is not to be regarded by implication or otherwise in any manner licensing, granting rights or permitting such holder or any other person to manufacture, use or sell any product, process or design, patented or otherwise, that may in any way be related to or disclosed by said drawings, specifications, or other data.

| | |
|-----------|------------------------------|
| MATERIAL | |
| REFERENCE | EAR 343 GNE# 31-6055_ASSY |

| | | | |
|----------|---------------------|------|-----------|
| DRAWN | C. McGRATH | DATE | 23-Jul-01 |
| ENGINEER | O. BARTHELME | DATE | 23-Jul-01 |
| APPROVED | O. BARTHELME | DATE | 7/26/01 |
| CAD FILE | I:\MINI_BNC\31-6055 | | |

| | | | |
|-------------|--------------------------------|----------|---|
| TITLE | MINI BNC R/A PCB MOUNT JACK | | |
| CODE ID | 74868 | DWG SIZE | B |
| DRAWING NO. | 31-6055 | | |

| | |
|--|--------------|
| Amphenol Amphenol Corporation Communication and Network Products Division Danbury, CT U.S.A. 06810 | |
| SCALE: 4.0:1 | SHEET 2 OF 2 |
| REV | E |

X-ON Electronics

Largest Supplier of Electrical and Electronic Components

Click to view similar products for [RF Connectors / Coaxial Connectors](#) category:

Click to view products by [Amphenol](#) manufacturer:

Other Similar products are found below :

[8915-1511-000](#) [89674-0827](#) [6001-7071-019](#) [6002-7051-003](#) [6002-7551-202](#) [6059674-1](#) [619550-1](#) [630059-000](#) [M39030/3-01N](#) [M3933/25-36N](#) [6500-7071-046](#) [6769](#) [CX050L2AQ](#) [7002-1542-011](#) [7004-1512-000](#) [7009-1511-004](#) [7010-1511-000](#) [7029-1511-060](#) [7101-1541-010](#) [7101-1571-002](#) [7105-1521-002](#) [7145-1521-002](#) [7203-1571-003](#) [7209-1511-011](#) [7210-1511-015](#) [7210-1511-019](#) [73137-5015](#) [73216-2241](#) [7325-1512-000](#) [73404-2300](#) [7405-1521-005](#) [7405-1521-802](#) [7406-1521-005](#) [8527](#) [8547](#) [FS11V](#) [8808-1511-001](#) [9049-9513-000](#) [9074-9513-000](#) [9101-9573-002](#) [910A205F](#) [9130-9573-002](#) [PL11SC-026](#) [PL375-33](#) [PL40-5](#) [PL71-9](#) [PL74C-221](#) [PL75MC-217](#) [PL803-7](#) [980-8666-005](#)