

NOTES:

1. MATERIALS AND FINISHES:

- BODY, REAR BODY - BRASS, NICKEL PLATING
- CONTACT - BERYLLIUM COPPER, GOLD PLATING.
- INSULATOR - PTFE
- INSULATOR REAR - ULTEM
- HEX NUT - BRASS, NICKEL PLATING
- LOCK WASHER - BRASS, NICKEL PLATING
- GASKET, O-RING - SILICONE RUBBER
- FERRULE - SEAMLESS COPPER TUBE, NICKEL PLATING
- HEAT SHRINK TUBING - CROSSLINKED POLYOLEFIN

2. ELECTRICAL:

- A. IMPEDANCE: 50 OHM
- B. FREQUENCY RANGE: DC - 6 GHz
- C. DIELECTRIC WITHSTANDING VOLTAGE: 1000 VRMS, MIN.

3. MECHANICAL:

- A. DURABILITY: 500 CYCLES MIN.
- B. TEMPERATURE RANGE: -40° C TO +85° C

4. PACKAGING:

- A. QUANTITY: SINGLE PACK
- B. MARK BAG OR TAG "AMPHENOL RF, 31-6509, AND DATE CODE"

5. RECOMMENDED CABLE ASSEMBLY INSTRUCTIONS:

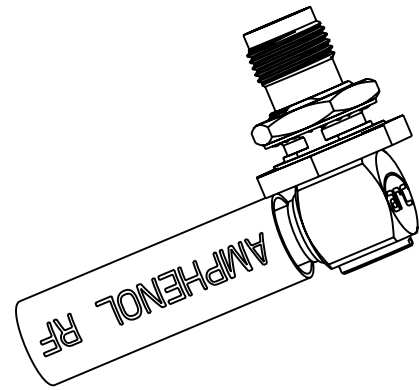
- A. TRIM CABLE AS SHOWN.
- B. SLIDE HEAT SHRINK TUBING, FERRULE AND INSULATOR REAR ONTO CABLE.
- C. SOLDER CABLE CENTER CONDUCTOR TO CONTACT.
- D. INSERT CABLE WITH FOIL ENTERING CONNECTOR AND BRAID OVER KNURL.
- E. CRIMP FERRULE OVER BRAID WITH 0.213" HEX DIE.
- F. APPLY HEAT SHRINK TUBING OVER FERRULE.
- G. HEAT SHRINK TUBING SHOULD FULLY (360 DEG) COVER THE BUMP ON BODY AND END WITHIN AREA "A"

6. CAP ASSEMBLY INSTRUCTIONS:

- A. PLACE O-RING ON CAP AS SHOWN.
- B. ASSEMBLE CAP TO BODY WITH 6-10 IN-LBS TORQUE.

7. RECOMMENDED TORQUE APPLIED ON HEX NUT: 7-10 IN-LBS.

8. SHOWS CABLE ENTRY DIMENSIONS.

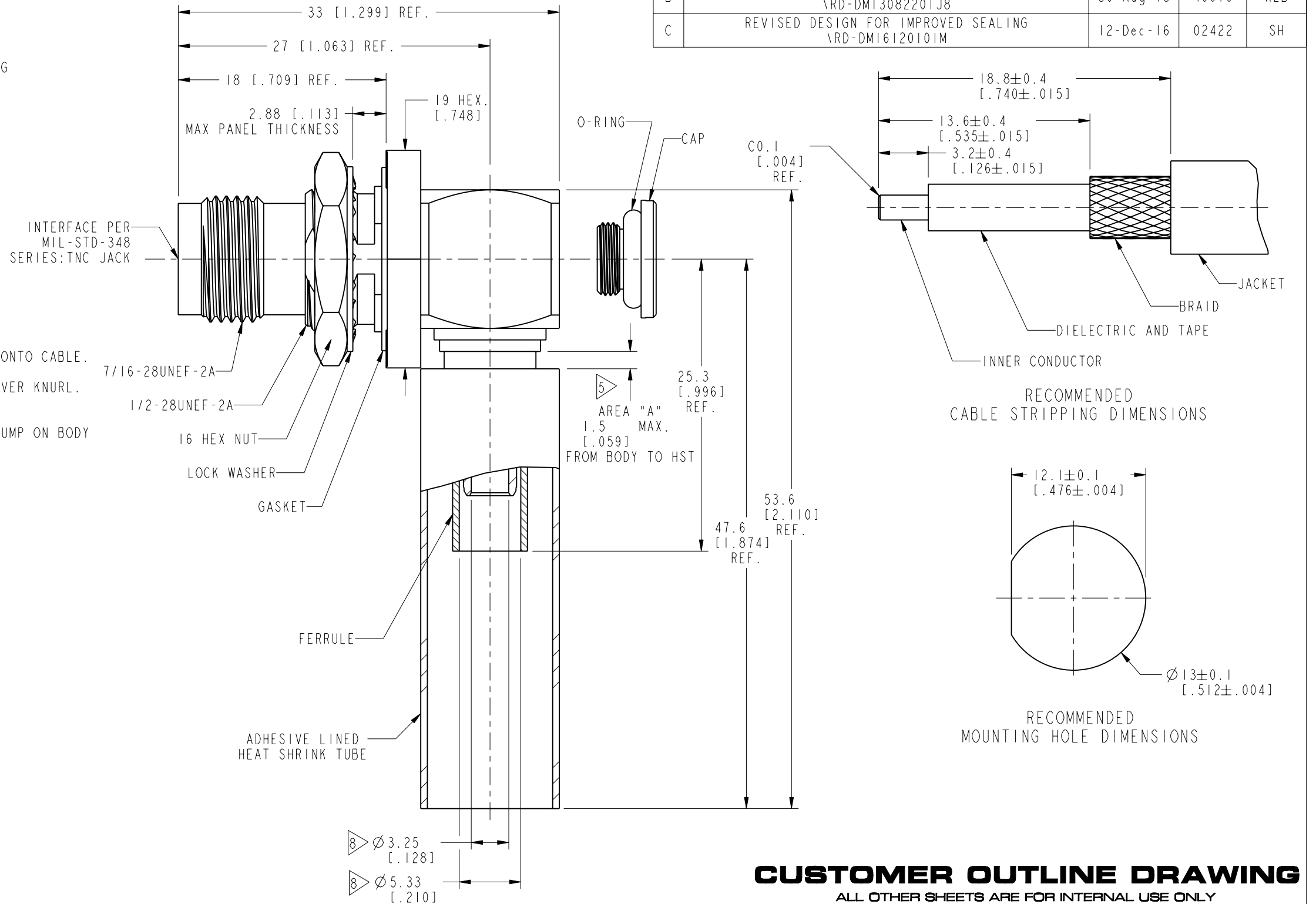


SCALE 1.000

THIRD ANGLE PROJ.

REVISIONS

| REV | DESCRIPTION   | DATE      | ECO   | APPR |
|-----|---|-----------|-------|------|
| A   | RELEASE TO MFG.   | 25-Mar-13 | 48952 | TD   |
| B   | ADD ARC LOGO TO REAR BODY AND AMPHENOL RF TO HST \RD-DMI3082201J8 | 30-Aug-13 | 49619 | RLB  |
| C   | REVISED DESIGN FOR IMPROVED SEALING \RD-DMI612010IM               | 12-Dec-16 | 02422 | SH   |



**CUSTOMER OUTLINE DRAWING**

ALL OTHER SHEETS ARE FOR INTERNAL USE ONLY

|  |                                 |                              |                            |                     |                         |          |        |        |         |     |                                  |                              |                              |  |  |
|--|---------------------------------|------------------------------|----------------------------|---------------------|-------------------------|----------|--------|--------|---------|-----|----------------------------------|------------------------------|------------------------------|--|--|
| <p>UNLESS OTHERWISE SPECIFIED, DIMENSIONS ARE IN METRIC AND TOLERANCES ARE:</p> <table border="1"> <tr> <td>&lt;0.5mm</td> <td>0.5 - 6mm</td> <td>6 - 30mm</td> <td>30 - 120mm</td> <td>ANGLES</td> </tr> <tr> <td>± 0.05mm</td> <td>±0.1mm</td> <td>±0.2mm</td> <td>± 0.3mm</td> <td>±1°</td> </tr> </table> <p>NOTICE - These drawings, specifications, or other data (1) are, and remain the property of Amphenol corp. (2) must be returned upon request; and (3) are confidential and not to be disclosed to any person other than those to whom they are given by Amphenol Corp. the furnishing of these drawings, specifications, or other data by Amphenol Corp., or to any other person to anyone for any purpose is not to be regarded by implication or otherwise in any manner licensing, granting rights to permitting such holder or any other person to manufacture, use or sell any product, process or design, patented or otherwise, that may in any way be related to or disclosed by said drawings, specifications, or other data.</p> | <0.5mm                          | 0.5 - 6mm                    | 6 - 30mm                   | 30 - 120mm          | ANGLES                  | ± 0.05mm | ±0.1mm | ±0.2mm | ± 0.3mm | ±1° | <p>MATERIAL</p> <p>SEE NOTES</p> | <p>DRAWN</p> <p>M. ZHANG</p> | <p>DATE</p> <p>09-Dec-16</p> | <p>TITLE</p> <p>TNC R/A BHD JACK IP-67 FOR LMR 200 CABLE</p> | <p>Amphenol RF</p> <p>www.amphenolrf.com</p> |
|  | <0.5mm                          | 0.5 - 6mm                    | 6 - 30mm                   | 30 - 120mm          | ANGLES                  |          |        |        |         |     |                                  |                              |                              |  |  |
| ± 0.05mm   | ±0.1mm                          | ±0.2mm                       | ± 0.3mm                    | ±1°                 |                         |          |        |        |         |     |                                  |                              |                              |  |  |
| <p>REFERENCE</p> <p>EAR3382 AND 31-6368</p> <p>CONFIGURATION LEVEL:</p>  | <p>ENGINEER</p> <p>BALAJI M</p> | <p>DATE</p> <p>23-Mar-13</p> | <p>DRAWING NO. 31-6509</p> |                     |                         |          |        |        |         |     |                                  |                              |                              |  |  |
| <p>FINISH</p>  | <p>APPROVED</p> <p>S. HSIEH</p> | <p>DATE</p> <p>09-Dec-16</p> | <p>SCALE: 2.6:1.0</p>      | <p>SHEET 2 OF 2</p> | <p>ITEM NO. 31-6509</p> |          |        |        |         |     |                                  |                              |                              |  |  |
|  |                                 | <p>CAD FILE</p>              | <p>DWG SIZE</p> <p>B</p>   | <p>REV</p> <p>C</p> | <p>PART NO. 31-6509</p> |          |        |        |         |     |                                  |                              |                              |  |  |

## X-ON Electronics

Largest Supplier of Electrical and Electronic Components

*Click to view similar products for [RF Connectors / Coaxial Connectors](#) category:*

*Click to view products by [Amphenol](#) manufacturer:*

Other Similar products are found below :

[8915-1511-000](#) [89674-0827](#) [6001-7071-019](#) [6002-7051-003](#) [6002-7551-202](#) [6059674-1](#) [619550-1](#) [630059-000](#) [M39030/3-01N](#) [6500-7071-046](#) [6769](#) [CX050L2AQ](#) [7002-1542-011](#) [7004-1512-000](#) [7009-1511-004](#) [7010-1511-000](#) [7029-1511-060](#) [7101-1541-010](#) [7101-1571-002](#) [7105-1521-002](#) [7145-1521-002](#) [7203-1571-003](#) [7209-1511-011](#) [7210-1511-015](#) [7210-1511-019](#) [73137-5015](#) [73216-2241](#) [73404-2300](#) [7405-1521-005](#) [7405-1521-802](#) [7406-1521-005](#) [8527](#) [8547](#) [FS11V](#) [8808-1511-001](#) [9049-9513-000](#) [9074-9513-000](#) [9101-9573-002](#) [910A205F](#) [9130-9573-002](#) [PL11SC-026](#) [PL375-33](#) [PL40-5](#) [PL71-9](#) [PL74C-221](#) [PL75MC-217](#) [PL803-7](#) [980-8666-005](#) [1200690078](#) [1-201144-1](#)