

NOTES:

1. MATERIALS AND FINISHES:
 - BODY, WASHER - BRASS, NICKEL PLATING
 - CONTACT - BRASS, GOLD PLATING
 - INSULATOR - PTFE, NATURAL
 - SHELL - ZINC DIE CAST, NICKEL PLATING
 - GASKET - SILICONE RUBBER, RED
 - SPRING - BeCu, NICKEL PLATING
2. ELECTRICAL:
 - A. IMPEDANCE: 75 OHM
 - B. DIELECTRIC WITHSTANDING VOLTAGE: 1500 VRMS, MIN.
3. MECHANICAL:
 - A. DURABILITY: 500 CYCLES MIN.
 - B. TEMPERATURE RANGE: -65° C TO +165° C
4. PACKAGING:
 - A. QUANTITY: SINGLE PACK
 - B. MARKING: BAG TO BE MARKED "AMPHENOL RF, 31-70013, AND DATE CODE"

5. CABLE ASSEMBLY INSTRUCTIONS:

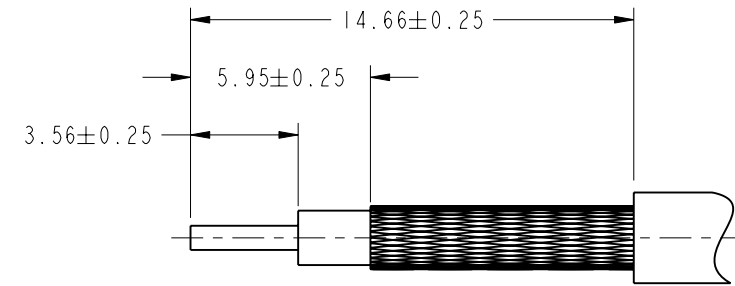
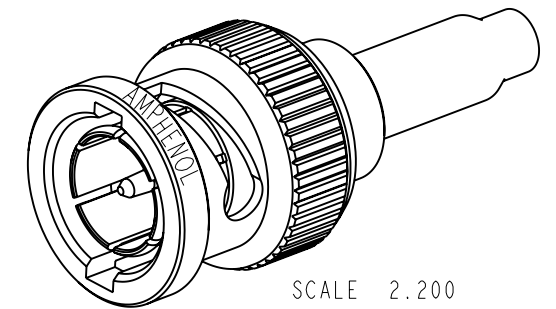
- A. TRIM CABLE AS SHOWN.
- B. SLIDE FERRULE OVER CABLE JACKET.
- C. COMB OUT THE BRAID & SLIDE INSULATOR OVER CABLE DIELECTRIC
- D. CRIMP CONTACT PIN TO CABLE WITH AMPHENOL TOOL 227-944 (M22520/5-01) AND DIE SET 227-980-7, CAVITY 'B' (OR CTL-6, 0.052 DIAMOND).
- E. INSTALL CABLE ASSEMBLY INTO BODY ASSEMBLY. BRAID OVER CONNECTOR BODY.
- F. SLIDE FERRULE OVER BRAID AND UP AGAINST CONNECTOR BODY.
- G. CRIMP FERRULE TO CABLE WITH AMPHENOL TOOL 227-944 (M22520/5-01) AND DIE SET 227-980-7, CAVITY 'A' (OR CTL-6, 0.178 HEX).

6 SHOWS CABLE ENTRY DIMENSIONS.

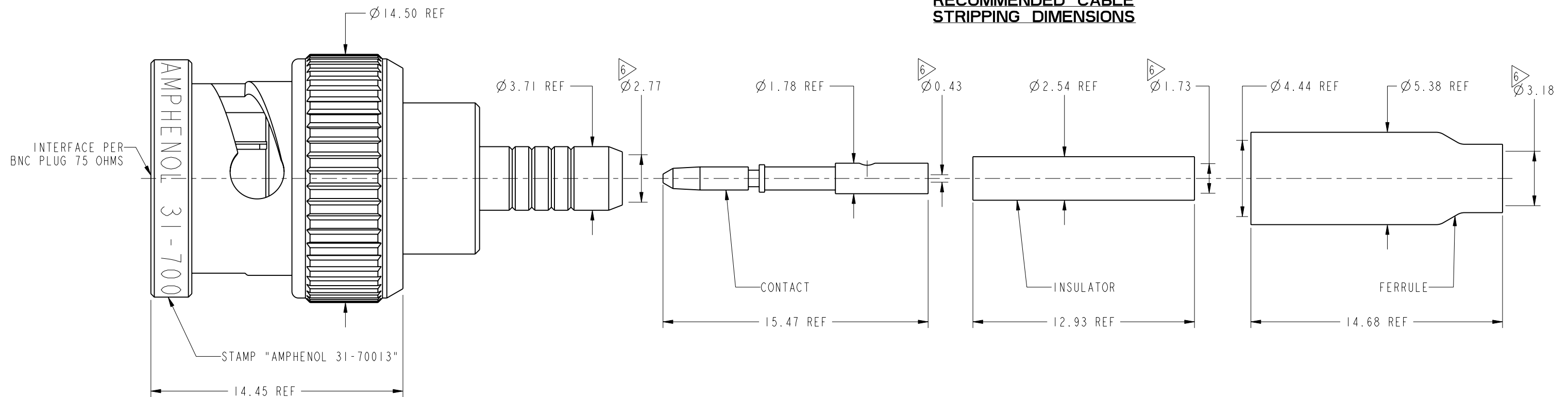
THIRD ANGLE PROJ.

REVISIONS

REV	DESCRIPTION	DATE	ECO	APPR
B	ROLLING WAS STAKE\RD-DA05091401J	14-Sep-05	--	JACK
H	SEE SHEET I	19-Feb-10	47967	SH
J	REDRAWN IN PRO-E	28-May-15	49786	RM



RECOMMENDED CABLE STRIPPING DIMENSIONS



CUSTOMER OUTLINE DRAWING

ALL OTHER SHEETS ARE FOR INTERNAL USE ONLY

UNLESS OTHERWISE SPECIFIED, DIMENSIONS ARE IN METRIC AND TOLERANCES ARE: <0.5mm ±0.05mm 0.5 - 6mm ±0.1mm 6 - 30mm ±0.2mm 30 - 120mm ±0.3mm ANGLES ±1°	MATERIAL	DRAWN	DATE	TITLE BNC STR PLUG 75 OHM FOR RG 179 AND BELDEN 9221	Amphenol RF www.amphenolrf.com
	SEE NOTES	A ARUN PRABU	14-Nov-13		
NOTICE - These drawings, specifications, or other data (1) are, and remain the property of Amphenol corp. (2) must be returned upon request; and (3) are confidential and not to be disclosed to any person other than those to whom they are given by Amphenol Corp. the furnishing of these drawings, specifications, or other data by Amphenol Corp., or to any other person to anyone for any purpose is not to be regarded by implication or otherwise in any manner licensing, granting rights to permitting such holder or any other person to manufacture, use or sell any product, process or design, patented or otherwise, that may in any way be related to or disclosed by said drawings, specifications, or other data.	REFERENCE EAR #	ENGINEER	DATE	SCALE: 4.4:1.0	DRAWING NO. 31-70013 ITEM NO. 31-70013 PART NO. 31-70013
	CONFIGURATION LEVEL: In Work	S, HSIEH	23-Jan-10	SHEET 2 OF 2	
	FINISH	APPROVED	DATE		DWG SIZE
		S, HSIEH	28-May-15	B	J

X-ON Electronics

Largest Supplier of Electrical and Electronic Components

Click to view similar products for [RF Connectors / Coaxial Connectors](#) category:

Click to view products by [Amphenol](#) manufacturer:

Other Similar products are found below :

[8915-1511-000](#) [89674-0827](#) [6001-7071-019](#) [6002-7051-003](#) [6002-7551-202](#) [6059674-1](#) [619550-1](#) [630059-000](#) [M39030/3-01N](#) [M3933/25-36N](#) [6500-7071-046](#) [6769](#) [CX050L2AQ](#) [7002-1542-011](#) [7004-1512-000](#) [7009-1511-004](#) [7010-1511-000](#) [7029-1511-060](#) [7101-1541-010](#) [7101-1571-002](#) [7105-1521-002](#) [7145-1521-002](#) [7203-1571-003](#) [7209-1511-011](#) [7210-1511-015](#) [7210-1511-019](#) [73137-5015](#) [73216-2241](#) [7325-1512-000](#) [73404-2300](#) [7405-1521-005](#) [7405-1521-802](#) [7406-1521-005](#) [8527](#) [8547](#) [FS11V](#) [8808-1511-001](#) [9049-9513-000](#) [9074-9513-000](#) [9101-9573-002](#) [910A205F](#) [9130-9573-002](#) [PL11SC-026](#) [PL375-33](#) [PL40-5](#) [PL71-9](#) [PL74C-221](#) [PL75MC-217](#) [PL803-7](#) [980-8666-005](#)