

NOTES:

- MATERIALS AND FINISHES:  
 BODY, WASHER - BRASS, NICKEL PLATING  
 CONTACT - BRASS, GOLD PLATING  
 INSULATORS - PTFE, NATURAL  
 SPRING - BeCu, NICKEL PLATING  
 SHELL - ZINC DIECAST, NICKEL PLATING  
 GASKET - SILICONE RUBBER, RED  
 FERRULE - COPPER, NICKEL PLATING
- ELECTRICAL:  
 A. IMPEDANCE: 75 OHM  
 B. FREQUENCY RANGE : DC - 2 GHz  
 C. DIELECTRIC WITHSTANDING VOLTAGE : 1500 VRMS,MIN
- MECHANICAL:  
 A. DURABILITY: 500 CYCLES MIN.  
 B. TEMPERATURE RANGE: -65° C TO +165° C

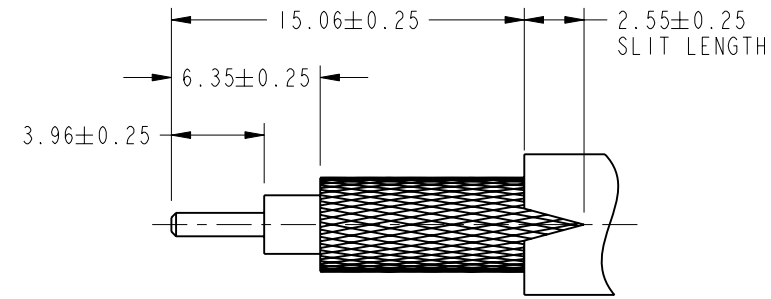
- PACKAGING:  
 A. QUANTITY: SINGLE PACK  
 B. MARKING: BAG TO BE MARKED  
 "AMPHENOL RF, 31-71013, AND DATE CODE"
- WHEN CRIMPING CONTACT PIN TO CABLE, CRIMP WITH AMPHENOL TOOL 227-944 (M22520/5-01) AND DIE SET 227-1221-09, CAVITY 'B' (M22520/5-09, CLOSURE 'B'), (OR CTL-2, .068 HEX).
- WHEN CRIMPING FERRULE TO CABLE, CRIMP WITH AMPHENOL TOOL 227-944 (M22520/5-01) AND DIE SET 227-1221-09, CAVITY 'A' (M22520/5-09, CLOSURE 'A'), (OR CTL-2, .178 HEX).
- USE WITH BELDEN 9221 AND RG-179/U CABLES

8 SHOWS CABLE ENTRY DIMENSIONS.

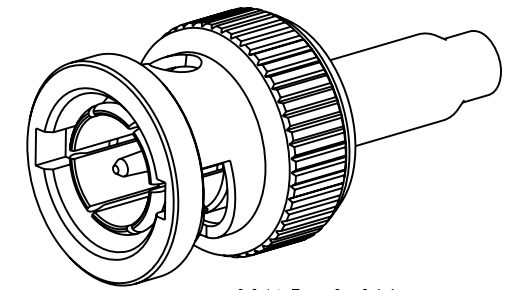
THIRD ANGLE PROJ.

REVISIONS

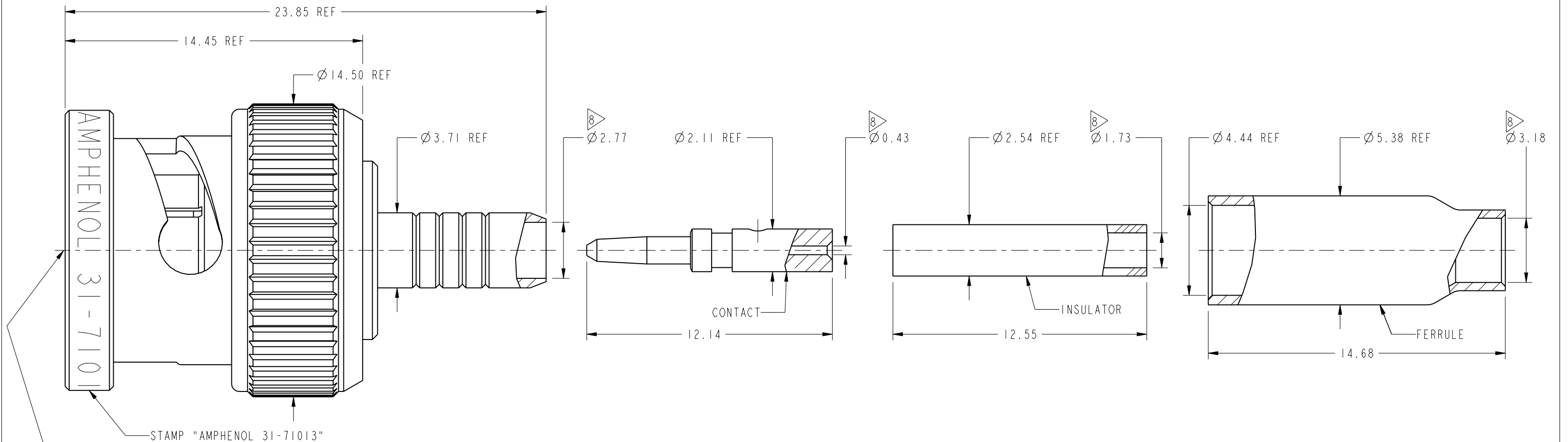
REV	DESCRIPTION	DATE	ECO	APPR
A2	SEE SHEET I	15-Apr-03	--	TOM
G	SEE SHEET I	23-Mar-10	47967	SH
H	REDRAWN IN PRO-E	22-Jul-14	49949	RM



RECOMMENDED CABLE STRIPPING DIMENSIONS



SCALE 2.200



**CUSTOMER OUTLINE DRAWING**

ALL OTHER SHEETS ARE FOR INTERNAL USE ONLY

UNLESS OTHERWISE SPECIFIED, DIMENSIONS ARE IN METRIC AND TOLERANCES ARE:  
 < 0.5mm ± 0.05mm    0.5 - 6mm ± 0.1mm    6 - 30mm ± 0.2mm    30 - 120mm ± 0.3mm    ANGLES ± 1°

NOTICE - These drawings, specifications, or other data (1) are, and remain the property of Amphenol corp. (2) must be returned upon request; and (3) are confidential and not to be disclosed to any person other than those to whom they are given by Amphenol Corp. the furnishing of these drawings, specifications, or other data by Amphenol Corp., or to any other person to anyone for any purpose is not to be regarded by implication or otherwise in any manner licensing, granting rights to permitting such holder or any other person to manufacture, use or sell any product, process or design, patented or otherwise, that may in any way be related to or disclosed by said drawings, specifications, or other data.

MATERIAL	SEE NOTES
REFERENCE EAR #	
CONFIGURATION LEVEL:	□□□□
FINISH	

DRAWN	R. MAO	DATE	04-Jul-14
ENGINEER	C. WANG	DATE	27-Jan-10
APPROVED	S. HSIEH	DATE	22-Jul-14
CAD FILE			

TITLE	
75 OHM BNC STR PLUG FOR MINIATURE COAX CABLE FOR RG-179 CABLE	
SCALE: 5.3:1.0	SHEET 2 OF 2
DWG SIZE B	REV H

Amphenol RF	
www.amphenolrf.com	
DRAWING NO.	31-71013
ITEM NO.	31-71013
PART NO.	31-71013

## X-ON Electronics

Largest Supplier of Electrical and Electronic Components

*Click to view similar products for [RF Connectors / Coaxial Connectors](#) category:*

*Click to view products by [Amphenol](#) manufacturer:*

Other Similar products are found below :

[8915-1511-000](#) [89674-0827](#) [6001-7071-019](#) [6002-7051-003](#) [6002-7551-202](#) [6059674-1](#) [619550-1](#) [630059-000](#) [M39030/3-01N](#) [M3933/25-36N](#) [6500-7071-046](#) [6769](#) [CX050L2AQ](#) [7002-1542-011](#) [7004-1512-000](#) [7009-1511-004](#) [7010-1511-000](#) [7029-1511-060](#) [7101-1541-010](#) [7101-1571-002](#) [7105-1521-002](#) [7145-1521-002](#) [7203-1571-003](#) [7209-1511-011](#) [7210-1511-015](#) [7210-1511-019](#) [73137-5015](#) [73216-2241](#) [7325-1512-000](#) [73404-2300](#) [7405-1521-005](#) [7405-1521-802](#) [7406-1521-005](#) [8527](#) [8547](#) [FS11V](#) [8808-1511-001](#) [9049-9513-000](#) [9074-9513-000](#) [9101-9573-002](#) [910A205F](#) [9130-9573-002](#) [PL11SC-026](#) [PL375-33](#) [PL40-5](#) [PL71-9](#) [PL74C-221](#) [PL75MC-217](#) [PL803-7](#) [980-8666-005](#)