

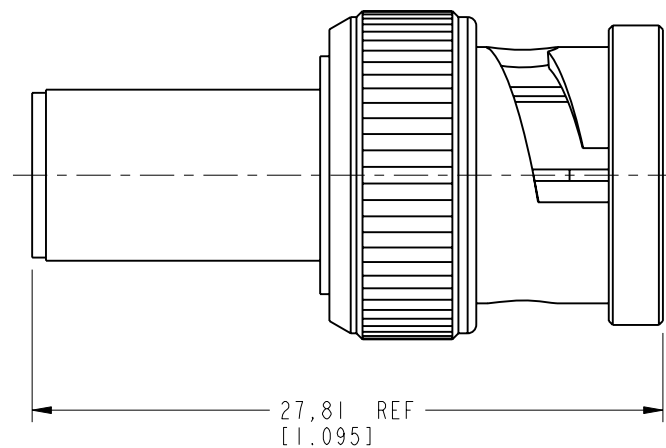
NOTES:

1. MATERIALS AND FINISHES:  
 BODY - PHOSPHOR BRONZE, NICKEL PLATING  
 CONTACT - BRASS, GOLD PLATING  
 FERRULE & SHELL - BRASS, NICKEL PLATING  
 INSULATOR - PTFE
2. ELECTRICAL:  
 A. IMPEDANCE: 75 OHM  
 B. FREQUENCY RANGE: DC - 4 GHz  
 C. VSWR(RETURN LOSS): 1.3 MAX.  
 D. DIELECTRIC WITHSTANDING VOLTAGE: 1500 VRMS, MIN.
3. MECHANICAL:  
 A. DURABILITY: 500 CYCLES MIN.  
 B. TEMPERATURE RANGE: -65° C TO +165° C
4. FERRULE TO BE CRIMPED WITH A .255 HEX DIE.  
 CONTACT TO BE CRIMPED WITH A .042 SQUARE DIE  
 OR A 8 PT CRIMPER AMPHENOL NUMBER 227-TI200
5. SHOWS CABLE ENTRY DIMENSIONS.

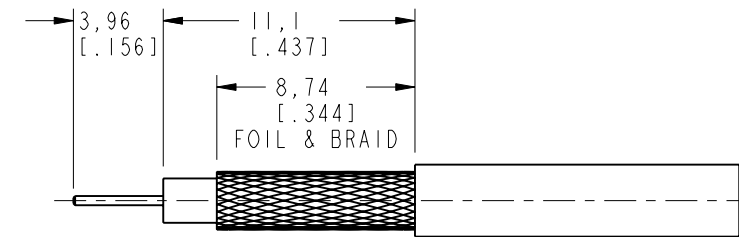
THIRD ANGLE PROJ.

REVISIONS

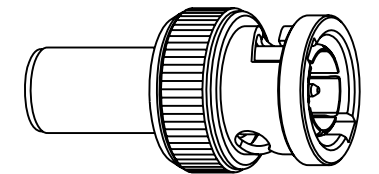
| REV | DESCRIPTION  | DATE      | ECO   | APPR  |
|-----|--|-----------|-------|-------|
| A   | RELEASE TO MFG   | 4/11/05   | 45498 | GSA   |
| B   | SEE SHEET 1  | 4/10/06   | 45950 | MY    |
| C   | NOTE 4 SHT 2 'OR A 12 POINT... INDENTOR TOOL'; .255 WAS .178                       | 5/11/06   | 46083 | CPM   |
| D   | NOTE 4 '8 PT CRIMPER AMPHENOL NUMBER CTL-TI200'                                    | 8/6/07    | 46681 | TC    |
| E   | 227-TI200 WAS CTL-TI200\DR-DM110704011<br>INSIDE SPRING WAS CHANGED\RD-DM09090201K | 15-Jul-11 | 48649 | DH    |
| F   | STAMPING WAS CHANGED\RD-DM110825011  | 05-Sep-11 | 48757 | SCOTT |



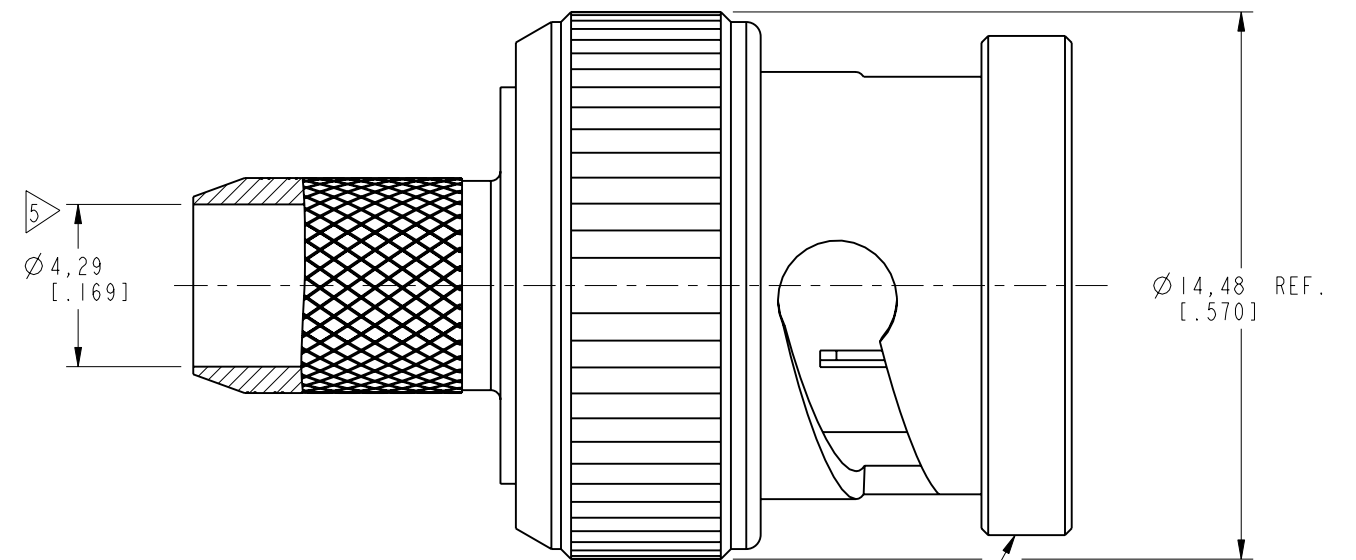
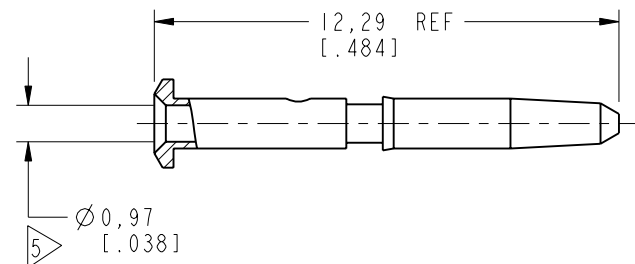
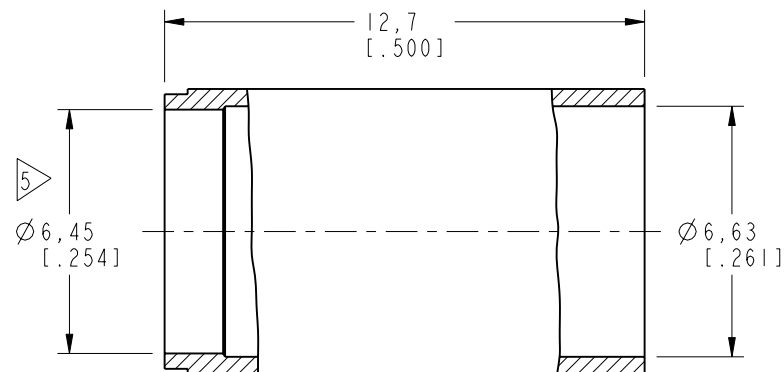
AFTER ASSEMBLY DIMENSIONS



RECOMMENDED  
CABLE STRIPPING DIMENSIONS



SCALE 1.500



STAMP: APH 31-80104 WWYY  
DATE CODE

**CUSTOMER OUTLINE DRAWING**  
ALL OTHER SHEETS ARE FOR INTERNAL USE ONLY

|  |   |             |           |                |   |  |
|--|---|-------------|-----------|----------------|---|--|
| UNLESS OTHERWISE SPECIFIED, DIMENSIONS ARE IN METRIC AND TOLERANCES ARE:<br><0.5mm ±0.05mm    0.5 - 6mm ±0.1mm    6 - 30mm ±0.2mm    30 - 120mm ±0.3mm    ANGLES ±1°   | MATERIAL  | DRAWN       | DATE      | TITLE          | <b>Amphenol RF</b><br>Danbury CT USA, Tainan, Taiwan, Shenzhen, China<br>www.amphenolrf.com |  |
|  | SEE NOTES   | I.XU        | 25-Aug-11 |                |   | 75 OHM BNC PLUG<br>FOR AT&T 734A CABLE |
|  | REFERENCE   | ENGINEER    | DATE      | SCALE: 5.0:1.0 |   | SHEET 2 OF 2                           |
|  | 1989 AND 611x-3996  | G. ANTONINI | 03-Mar-05 | DWG SIZE       |   | REV                                    |
| NOTICE - These drawings, specifications, or other data (1) are, and remain the property of Amphenol corp. (2) must be returned upon request; and (3) are confidential and not to be disclosed to any person other than those to whom they are given by Amphenol Corp. the finishing of these drawings, specifications, or other data by Amphenol Corp., or to any other person to anyone for any purpose is not to be regarded by implication or otherwise in any manner licensing, granting rights to permitting such holder or any other person to manufacture, use or sell any product, process or design, patented or otherwise, that may in any way be related to or disclosed by said drawings, specifications, or other data. | CONFIGURATION LEVEL: <input type="checkbox"/> <input type="checkbox"/> <input type="checkbox"/> | APPROVED    | DATE      | B              | F   |  |
| FINISH   |   | S.HSIEH     | 05-Sep-11 |                |   |  |
|  |   | CAD FILE    |           |                |   |  |
|  |   |             |           |                | DRAWING NO. 31-80104  |  |
|  |   |             |           |                | ITEM NO. 31-80104   |  |
|  |   |             |           |                | PART NO. 31-80104   |  |

## X-ON Electronics

Largest Supplier of Electrical and Electronic Components

*Click to view similar products for [RF Connectors / Coaxial Connectors](#) category:*

*Click to view products by [Amphenol](#) manufacturer:*

Other Similar products are found below :

[8915-1511-000](#) [89674-0827](#) [6001-7071-019](#) [6002-7051-003](#) [6002-7551-202](#) [6059674-1](#) [619550-1](#) [630059-000](#) [M39030/3-01N](#) [M3933/25-36N](#) [6500-7071-046](#) [6769](#) [CX050L2AQ](#) [7002-1542-011](#) [7004-1512-000](#) [7009-1511-004](#) [7010-1511-000](#) [7029-1511-060](#) [7101-1541-010](#) [7101-1571-002](#) [7105-1521-002](#) [7145-1521-002](#) [7203-1571-003](#) [7209-1511-011](#) [7210-1511-015](#) [7210-1511-019](#) [73137-5015](#) [73216-2241](#) [7325-1512-000](#) [73404-2300](#) [7405-1521-005](#) [7405-1521-802](#) [7406-1521-005](#) [8527](#) [8547](#) [FS11V](#) [8808-1511-001](#) [9049-9513-000](#) [9074-9513-000](#) [9101-9573-002](#) [910A205F](#) [9130-9573-002](#) [PL11SC-026](#) [PL375-33](#) [PL40-5](#) [PL71-9](#) [PL74C-221](#) [PL75MC-217](#) [PL803-7](#) [980-8666-005](#)