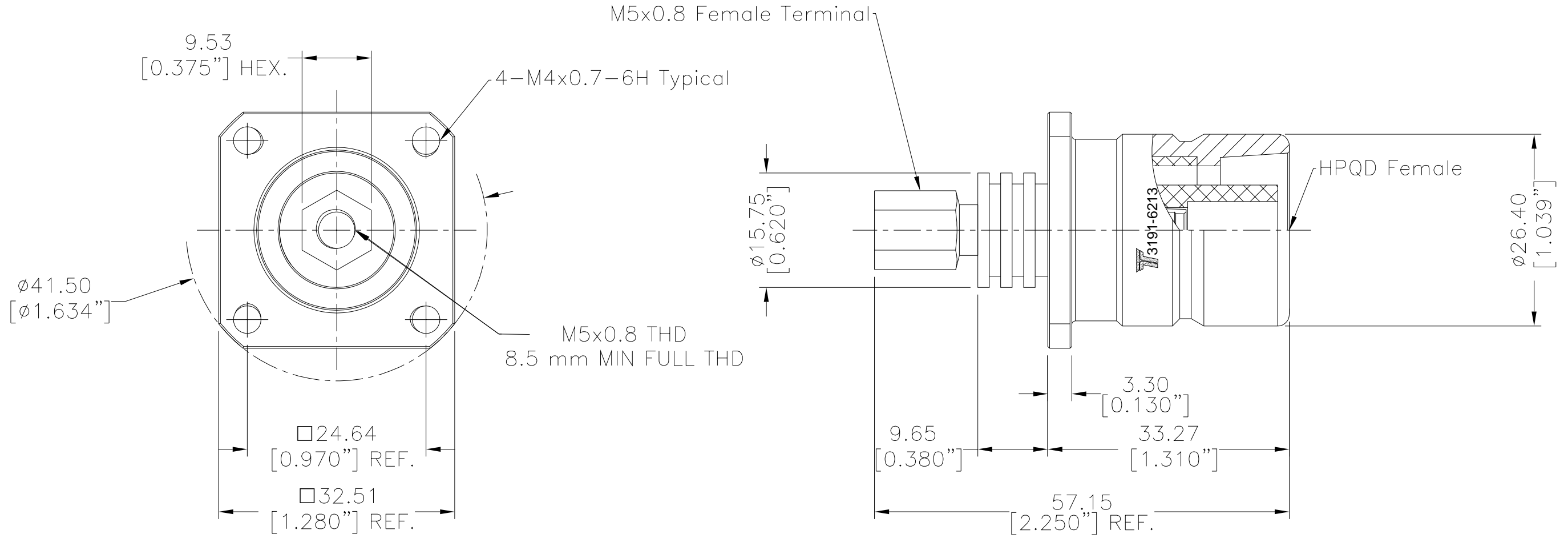


Connector is under Copy Exact Control.
Changes to Connector is prohibited without prior notification of / approved by customer.



I. MATERIALS & FINISHES

Components	Materials	Finishes	Thk. (µm)
Body	Brass	Albaloy	2.54
Contact Pin	Brass	Silver	5.08
Contact Pin	Beryllium Copper	Silver	5.08
Insulator	PTFE	--	--

II. ELECTRICAL PROPERTIES

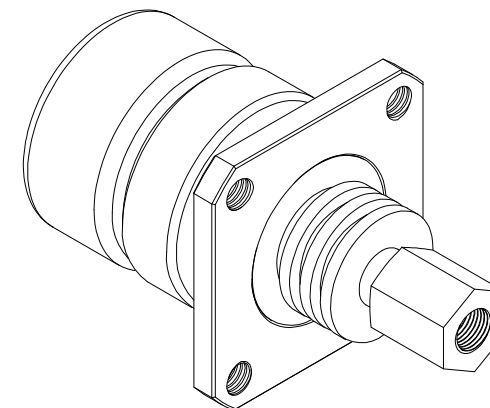
Impedance:	50 Ω
Frequency Range:	DC to 2.5 GHz
Voltage Rating:	2700 V rms
Dielectric Withstanding Voltage:	5000 V rms
Insulation Resistance:	≥10000 MΩ
VSWR: DC to 1 GHz	≤1.20
Insertion Loss:	-0.1x√f(GHz) dB

III. ENVIRONMENTAL PROPERTIES

Temperature Range:	-40°C to +165°C
Thermal Shock:	MIL-STD-202, Meth.107, Cond. B
Vibration:	MIL-STD-202, Meth.204, Cond. B
Shock:	MIL-STD-202, Meth.213, Cond. I
Climatic Class:	IEC 60068 40/155/21
RoHS:	Compliant

IV. MECHANICAL PROPERTIES


Coupling Nut Torque:	N/A
Durability:	500 Cycles



Interface Compatible with Standard:
Times WI-RD-026

V. TOOLINGS & ACCESSORIES

N/A

UNLESS OTHERWISE SPECIFIED		DFTM.	Patrick	 Adapter HPQD Female to Female Terminal M5x0.8		
ALL DIMENSIONS ARE IN mm MACHINED SURFACES FINISH 1.6 RMS MAX. REMOVE ALL BURRS 0.15X45° MAX. BREAK MACHINE CORNERS 0.15X45° D MAX. FILLET R. TOLERANCES ON DECIMALS .X ±0.15 .XX ±0.1 ANGLES ±2° FRACTIONS ± N/A		DATE	2019/06/21			
		CHKD	Monica			
		DATE	2019/06/21			
		APPD	Joslen			
SCALE: N/A	DWG SIZE A3	DO NOT SCALE DRAWING	DATE 2019/06/21	SHT 1/1	3191-6213	REV A

X-ON Electronics

Largest Supplier of Electrical and Electronic Components

Click to view similar products for [RF Adapters - Between Series category:](#)

Click to view products by [Amphenol manufacturer:](#)

Other Similar products are found below :

[5945-9503-000](#) [MCX/F-SMA/M](#) [R192417010](#) [ADBJ20-E1-BJ379](#) [ADM2](#) [ADPL75-A1-PL75](#) [242191](#) [9317505](#) [29-3835P](#) [AD130](#) [ADBJ20-E1-PL74](#) [ADBJ20-E2-BJ79](#) [ADBJ77-A1-PL375](#) [ADBJ77-E1-UPL20](#) [ADRMF370](#) [242228](#) [R125680000W](#) [R192430000](#) [UAD95](#) [1057367-1](#) [8311505](#) [R114704000](#) [R451034500](#) [R451030500](#) [R451543000](#) [HDVDPN](#) [ADBJ20-K1-PL20](#) [R451570000](#) [R451034000](#) [J9](#) [J3WE-5](#) [R451032500](#) [242201RP](#) [17K132-K00S5](#) [AD-RSMAF-RTNC](#) [53K156-K00N5](#) [02K119-K00E3](#) [29S132-K01N5](#) [53S156-K00N5](#) [02S119-S00E3](#) [28K132-K00N5](#) [02S109-K00S3](#) [27-8200TP](#) [242235](#) [ADBJ20-E1-BJ89](#) [AD-MQF-QCM-PM-2.5](#) [AD-QCF-QCF-SP-2.5](#) [AD-HQM-QCM-PM-2.5](#) [1116-6094](#) [1116-6095](#)