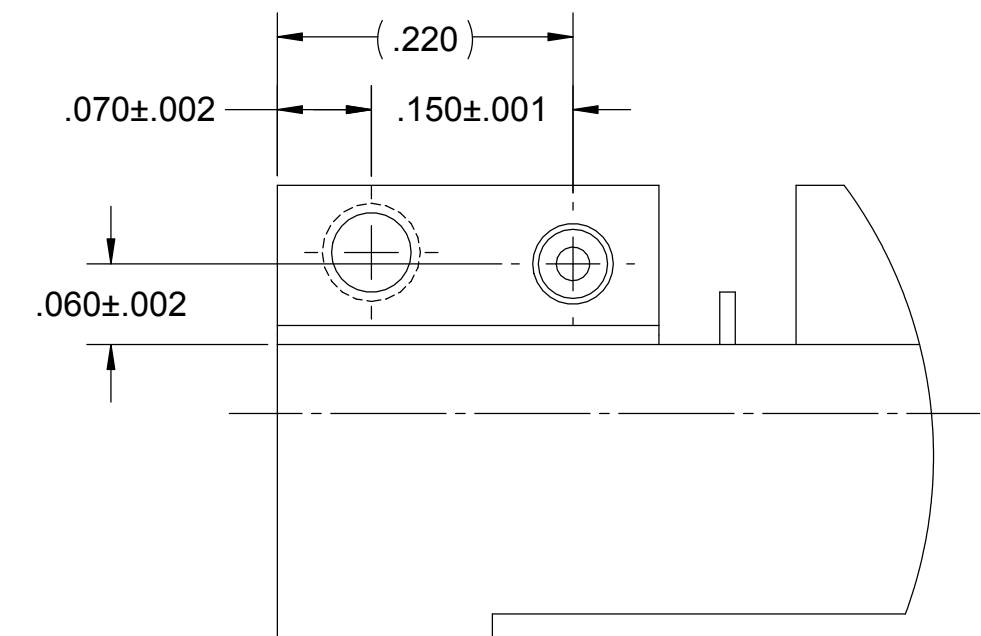
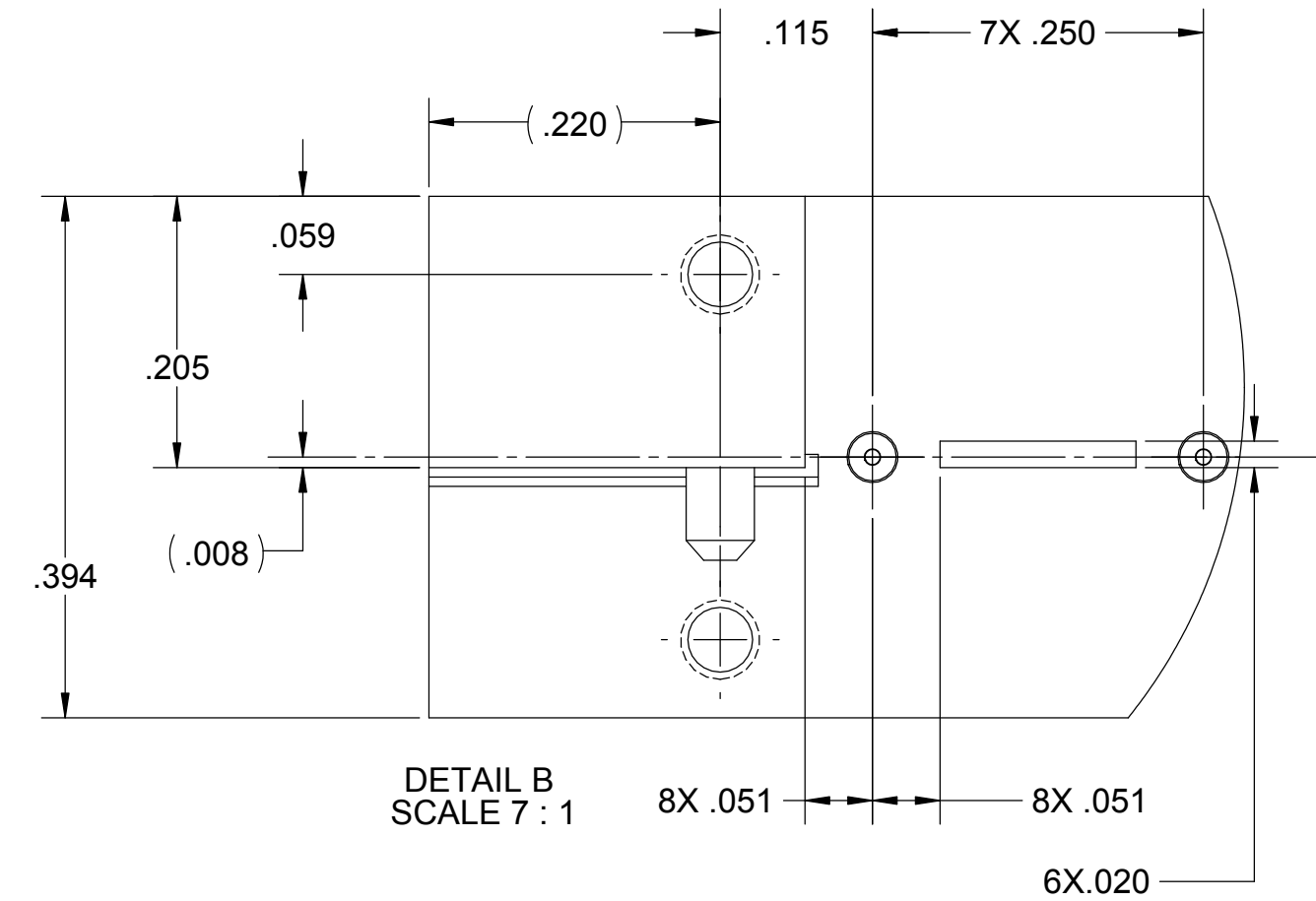
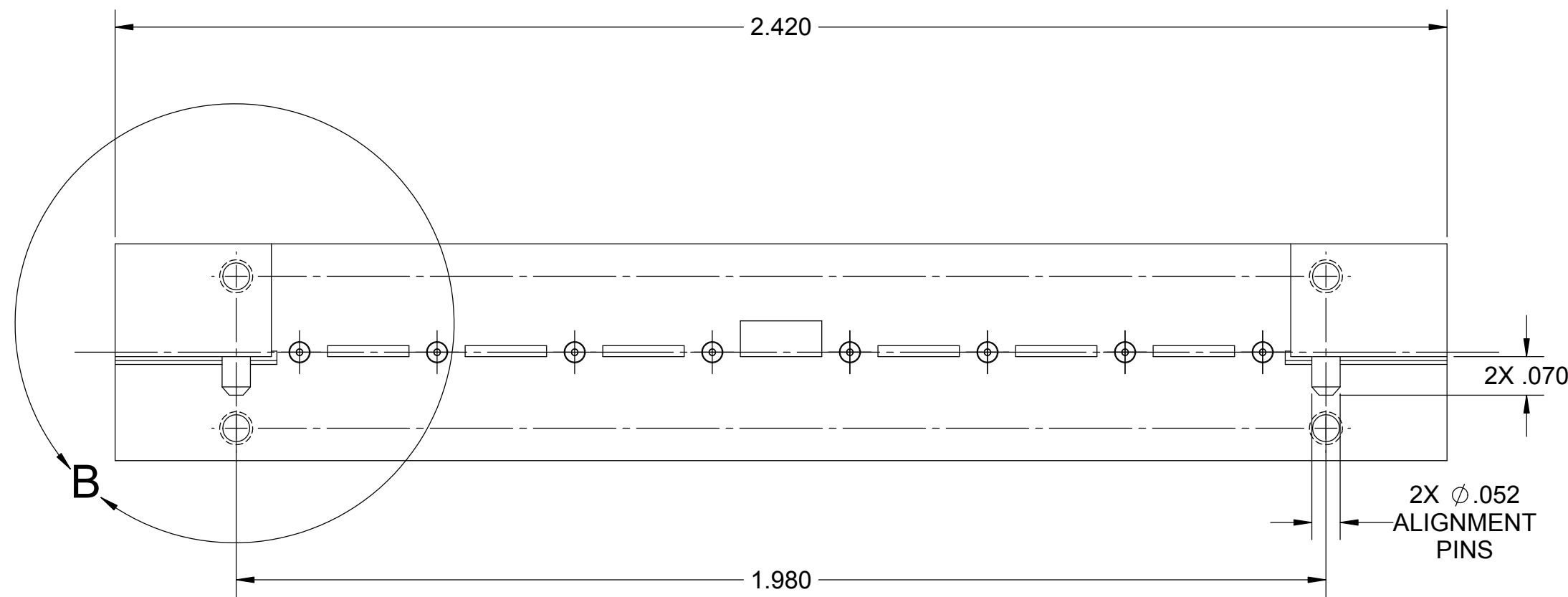
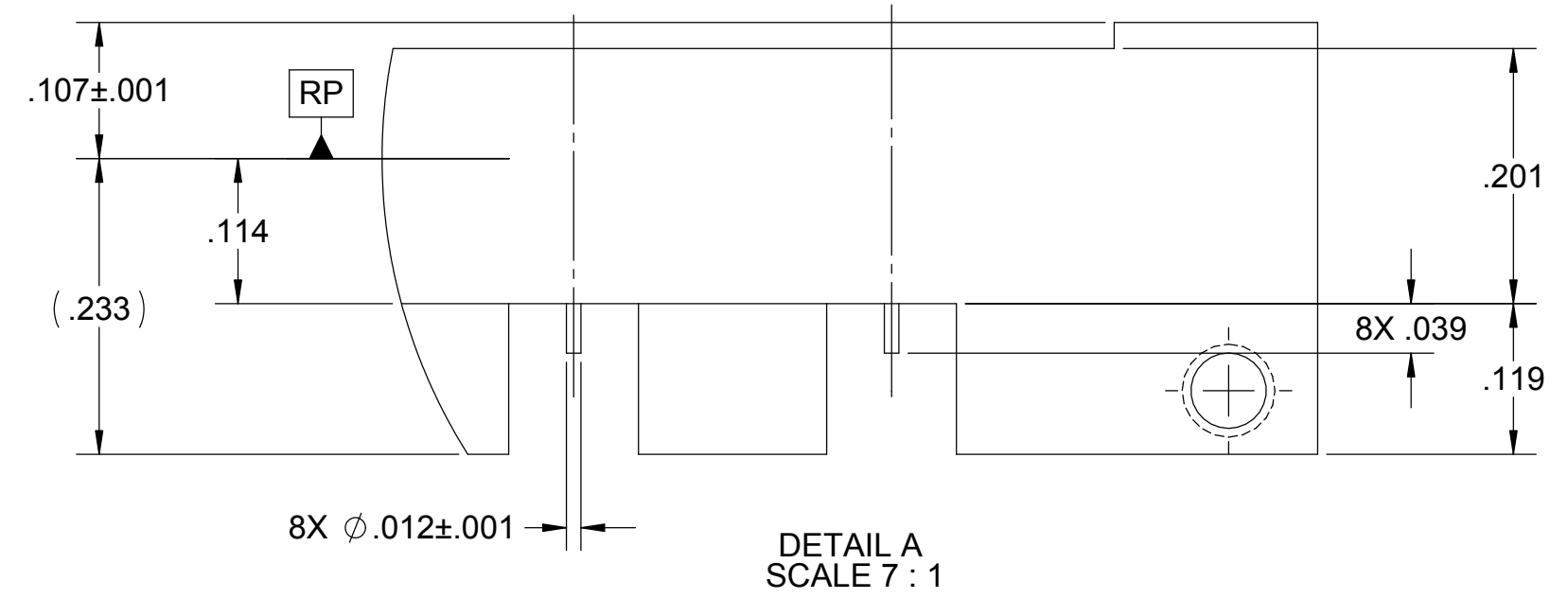
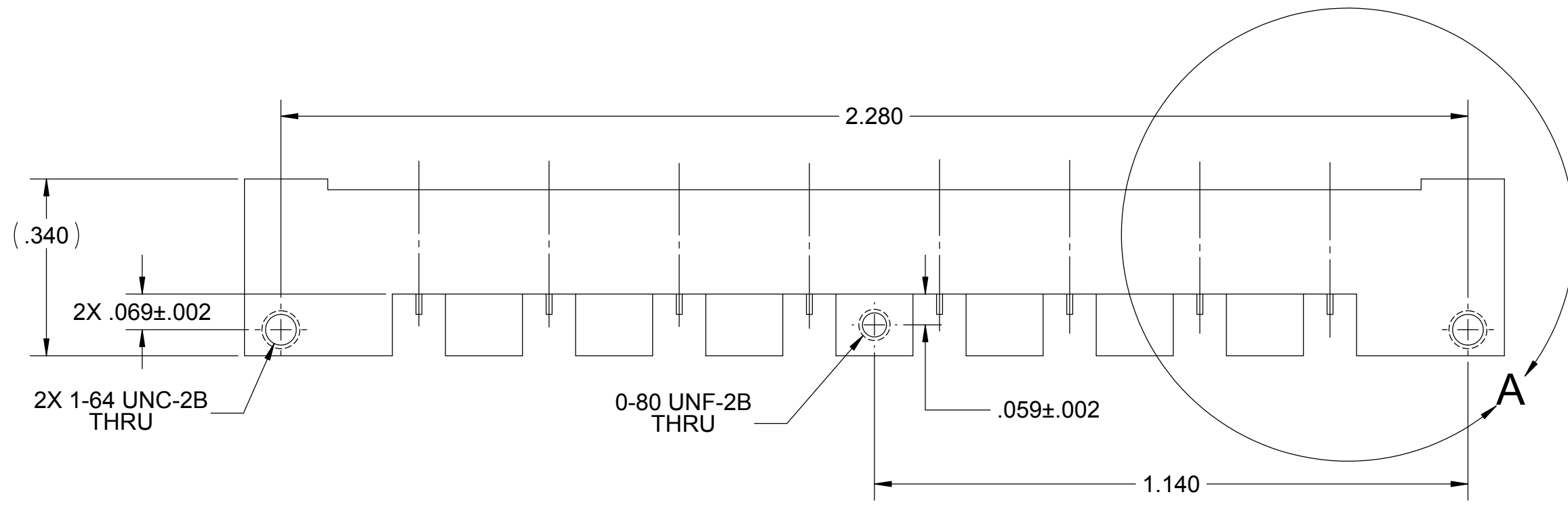


# PRODUCT DATA DRAWING

REVISION HISTORY			
REV.	DESCRIPTION	DATE	APPROVED
-	NRN 40630	05/16	STW



**MATERIAL:**

**BODY & SHROUDS:** STAINLESS STEEL PER AMS-5640, ALLOY UNS S30300, TYPE 1; OR ASTM A582 TYPE 303, COND. A

**CONTACTS:** BERYLLIUM COPPER PER ASTM B196, ALLOY No. UNS C17300, TD04

**INSULATORS:** PTFE PER ASTM D1710, TYPE I, GRADE 1, CLASS B

**FINISH:**

**BODY, SHROUDS, & CONTACTS:** GOLD PER ASTM B488, TYPE II, CODE C, CLASS 0.76, OVER NICKEL PER AMS-QQ-N-290, CLASS 1, .00010" MIN.

**PERFORMANCE:**

**IMPEDANCE:** 50 OHMS  
**FREQ. RANGE:** DC TO 65 GHZ.

**MATERIAL:** SEE NOTES

**FINISH:** SEE NOTES

DO NOT SCALE DRAWING

**PROPRIETARY**

THE INFORMATION CONTAINED IN THIS DRAWING IS THE SOLE PROPERTY OF SV MICROWAVE, INC. ANY REPRODUCTION IN PART OR AS A WHOLE WITHOUT THE WRITTEN PERMISSION OF SV MICROWAVE, INC. IS PROHIBITED.

DIMENSIONS ARE IN INCHES

TOLERANCES:  
ANGULAR:  $\pm 1^\circ$   
ONE PLACE DECIMAL  $\pm .030$   
TWO PLACE DECIMAL  $\pm .010$   
THREE PLACE DECIMAL  $\pm .005$

INTERPRET DIMENSIONS AND TOLERANCES PER ASME Y14.5M - 1994

THIRD ANGLE PROJECTION



UNLESS OTHERWISE SPECIFIED:

- ALL DIMENSIONS ARE AFTER PLATING.
- BREAK CORNERS & EDGES R.005 MAX.
- CHAMFER 1ST AND LAST THREAD.
- SURFACE ROUGHNESS 63 PER MIL-STD-10.
- DIA'S ON COMMON CENTERS TO BE CONCENTRIC WITHIN .005 T.I.R.
- REMOVE ALL BURRS.

DRAWN: FED 05/26/16

CHECKED: STW 05/26/16

APPROVED: STW 05/26/16

E.M. SIMULATION:

**SV Microwave, Inc.**<sup>®</sup>

2400 Centrepark West Drive, Suite 100  
West Palm Beach, FL 33409

**TITLE:** SMPM CM MALE 8-PORT  
EDGE LAUNCH

SIZE: C CAGE CODE: 95077

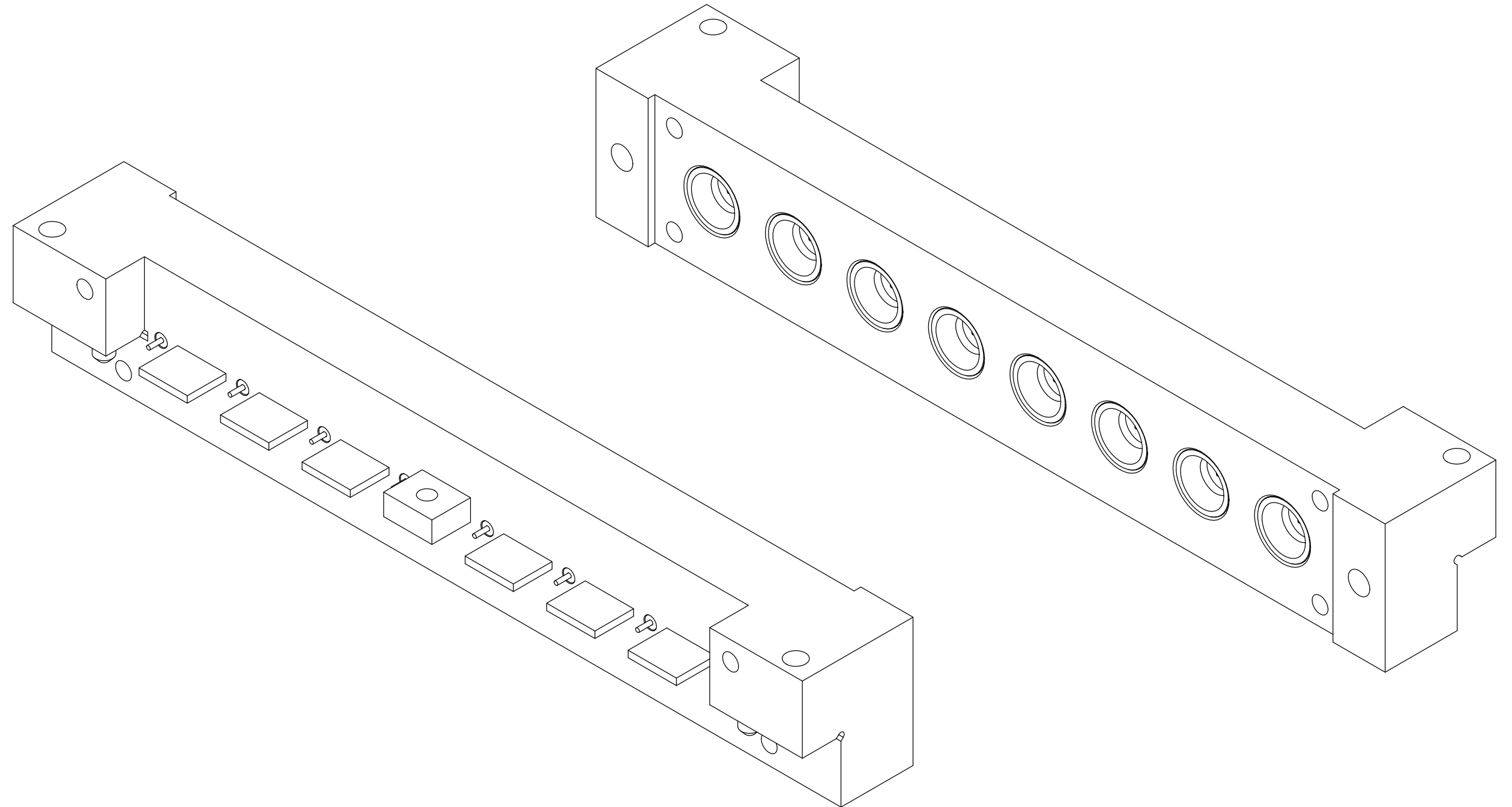
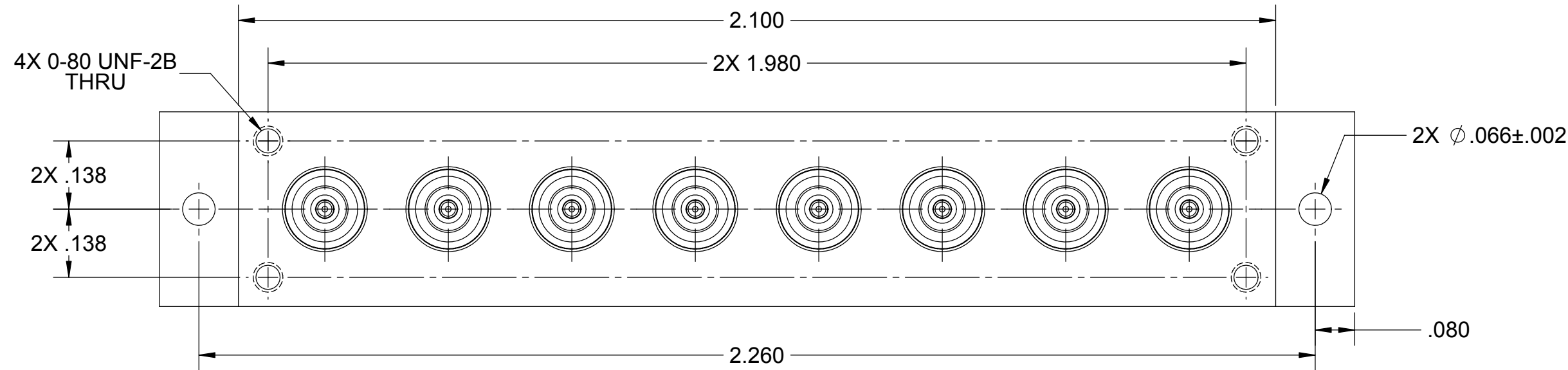
DWG. NO. 3211-60180

SCALE: 4:1

SHEET 1 OF 2

# PRODUCT DATA DRAWING

REVISION HISTORY			
REV.	DESCRIPTION	DATE	APPROVED
	SEE SHEET 1		



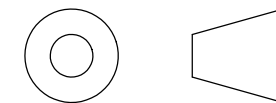
MATERIAL: SEE NOTES  
 FINISH: SEE NOTES  
 DO NOT SCALE DRAWING

**PROPRIETARY**

THE INFORMATION CONTAINED IN THIS DRAWING IS THE SOLE PROPERTY OF SV MICROWAVE, INC. ANY REPRODUCTION IN PART OR AS A WHOLE WITHOUT THE WRITTEN PERMISSION OF SV MICROWAVE, INC. IS PROHIBITED.

DIMENSIONS ARE IN INCHES  
 TOLERANCES:  
 ANGULAR: ±1°  
 ONE PLACE DECIMAL ±.030  
 TWO PLACE DECIMAL ±.010  
 THREE PLACE DECIMAL ±.005  
 INTERPRET DIMENSIONS AND TOLERANCES PER ASME Y14.5M - 1994

THIRD ANGLE PROJECTION



UNLESS OTHERWISE SPECIFIED:  
 1. ALL DIMENSIONS ARE AFTER PLATING.  
 2. BREAK CORNERS & EDGES R.005 MAX.  
 3. CHAMFER 1ST AND LAST THREAD.  
 4. SURFACE ROUGHNESS 63 PER MIL-STD-10.  
 5. DIA'S ON COMMON CENTERS TO BE CONCENTRIC WITHIN .005 T.I.R.  
 6. REMOVE ALL BURRS.

DRAWN: FED 05/26/16  
 CHECKED: STW 05/26/16  
 APPROVED: STW 05/26/16  
 E.M. SIMULATION:

**SV Microwave, Inc.**  
 2400 Centrepark West Drive, Suite 100  
 West Palm Beach, FL 33409

TITLE: **SMPM CM MALE 8-PORT EDGE LAUNCH**

SIZE: C	CAGE CODE: 95077	DWG. NO. 3211-60180
SCALE: 4:1		SHEET 2 OF 2

## X-ON Electronics

Largest Supplier of Electrical and Electronic Components

*Click to view similar products for [RF Connectors / Coaxial Connectors](#) category:*

*Click to view products by [Amphenol](#) manufacturer:*

Other Similar products are found below :

[8915-1511-000](#) [89674-0827](#) [6001-7071-019](#) [6002-7051-003](#) [6002-7551-202](#) [6059674-1](#) [619550-1](#) [630059-000](#) [M39030/3-01N](#) [M3933/25-36N](#) [6500-7071-046](#) [6769](#) [CX050L2AQ](#) [7002-1542-011](#) [7004-1512-000](#) [7009-1511-004](#) [7010-1511-000](#) [7029-1511-060](#) [7101-1541-010](#) [7101-1571-002](#) [7105-1521-002](#) [7145-1521-002](#) [7203-1571-003](#) [7209-1511-011](#) [7210-1511-015](#) [7210-1511-019](#) [73137-5015](#) [73216-2241](#) [7325-1512-000](#) [73404-2300](#) [7405-1521-005](#) [7405-1521-802](#) [7406-1521-005](#) [8527](#) [8547](#) [FS11V](#) [8808-1511-001](#) [9049-9513-000](#) [9074-9513-000](#) [9101-9573-002](#) [910A205F](#) [9130-9573-002](#) [PL11SC-026](#) [PL375-33](#) [PL40-5](#) [PL71-9](#) [PL74C-221](#) [PL75MC-217](#) [PL803-7](#) [980-8666-005](#)