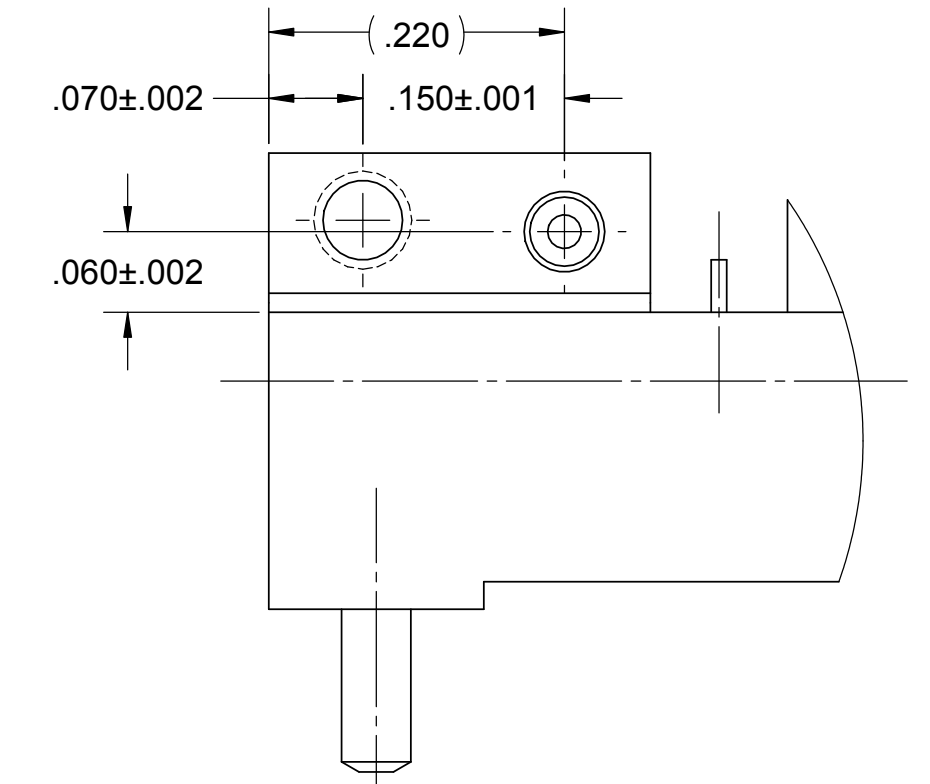
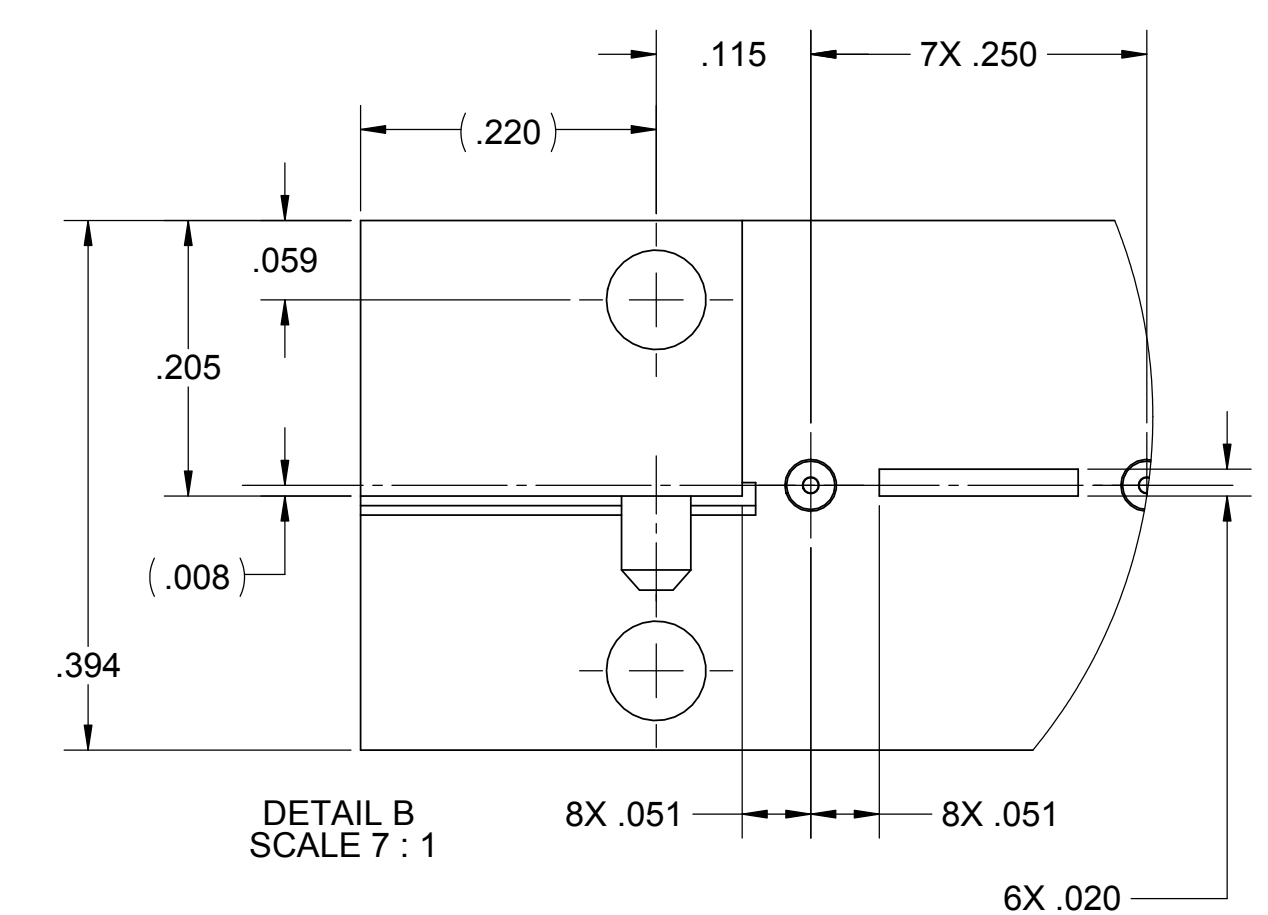
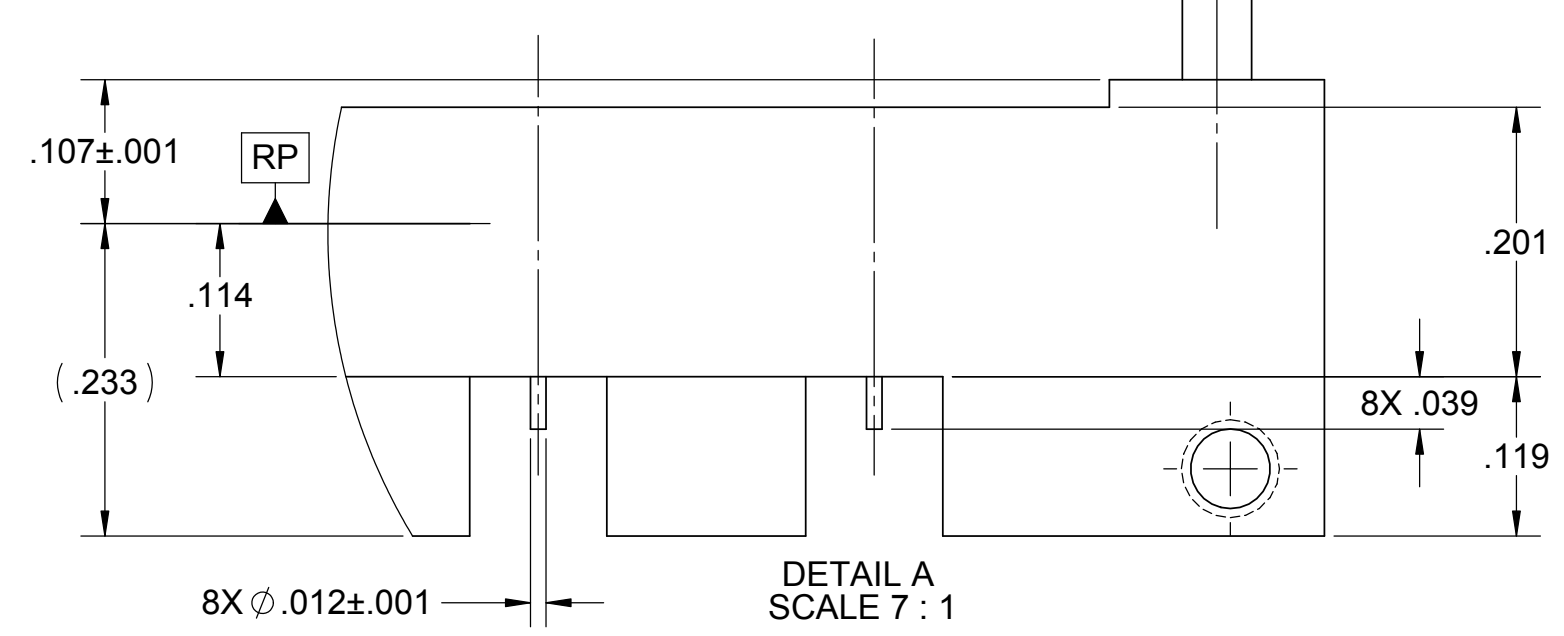
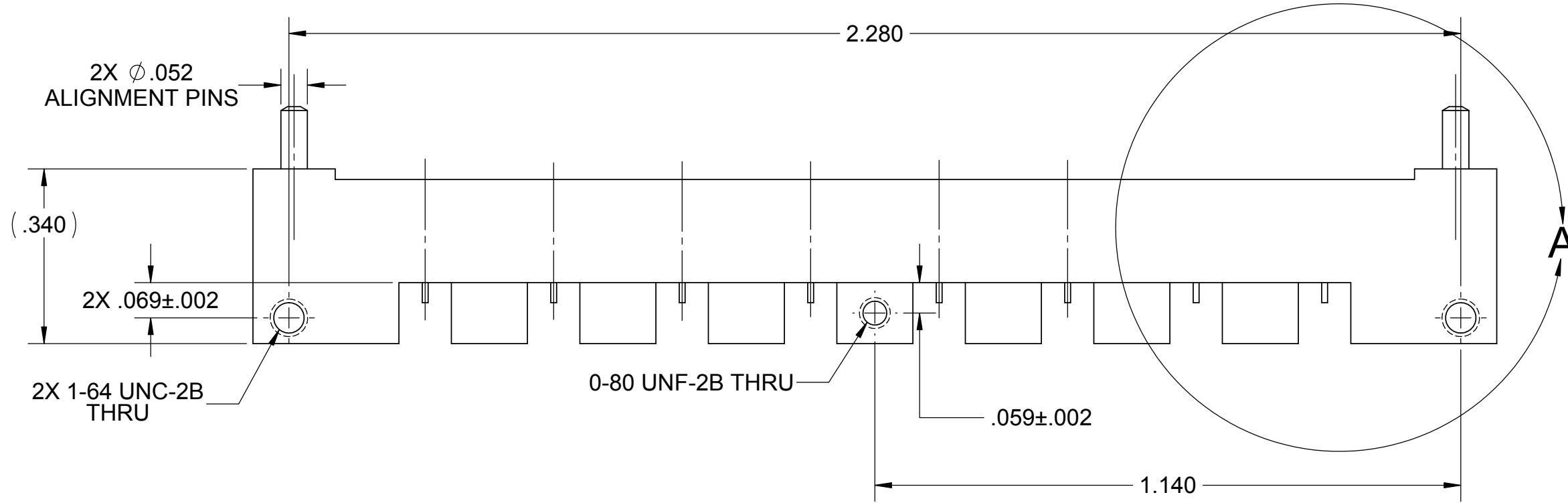


PRODUCT DATA DRAWING

REVISION HISTORY			
REV.	DESCRIPTION	DATE	APPROVED
-	NRN 40631	05/16	STW



MATERIAL:

BODY & SHROUDS: STAINLESS STEEL PER AMS-5640, ALLOY UNS S30300, TYPE 1; OR ASTM A582 TYPE 303, COND. A

CONTACTS: BERYLLIUM COPPER PER ASTM B196, ALLOY No. UNS C17300, TD04

INSULATORS: PTFE PER ASTM D1710, TYPE I, GRADE 1, CLASS B

FINISH:

BODY, SHROUDS, & CONTACTS: GOLD PER ASTM B488, TYPE II, CODE C, CLASS 0.76, OVER NICKEL PER AMS-QQ-N-290, CLASS 1, .00010" MIN.

PERFORMANCE:

IMPEDANCE: 50 OHMS
FREQ. RANGE: DC TO 65 GHz.

MATERIAL: SEE NOTES

FINISH: SEE NOTES

DO NOT SCALE DRAWING

PROPRIETARY

THE INFORMATION CONTAINED IN THIS DRAWING IS THE SOLE PROPERTY OF SV MICROWAVE, INC. ANY REPRODUCTION IN PART OR AS A WHOLE WITHOUT THE WRITTEN PERMISSION OF SV MICROWAVE, INC. IS PROHIBITED.

DIMENSIONS ARE IN INCHES
TOLERANCES:
ANGULAR: ±1°
ONE PLACE DECIMAL ±.030
TWO PLACE DECIMAL ±.010
THREE PLACE DECIMAL ±.005

INTERPRET DIMENSIONS AND TOLERANCES PER ASME Y14.5M - 1994

THIRD ANGLE PROJECTION



UNLESS OTHERWISE SPECIFIED:

- ALL DIMENSIONS ARE AFTER PLATING.
- BREAK CORNERS & EDGES R.005 MAX.
- CHAMFER 1ST AND LAST THREAD.
- SURFACE ROUGHNESS 63 PER MIL-STD-10.
- DIA'S ON COMMON CENTERS TO BE CONCENTRIC WITHIN .005 T.I.R.
- REMOVE ALL BURRS.

DRAWN: FED 05/27/16

CHECKED: STW 05/27/16

APPROVED: STW 05/27/16

E.M. SIMULATION:

SV Microwave, Inc.®

2400 Centrepark West Drive, Suite 100
West Palm Beach, FL 33409

TITLE: **SMPM FD MALE 8-PORT
EDGE LAUNCH**

SIZE: **C** CAGE CODE: **95077**

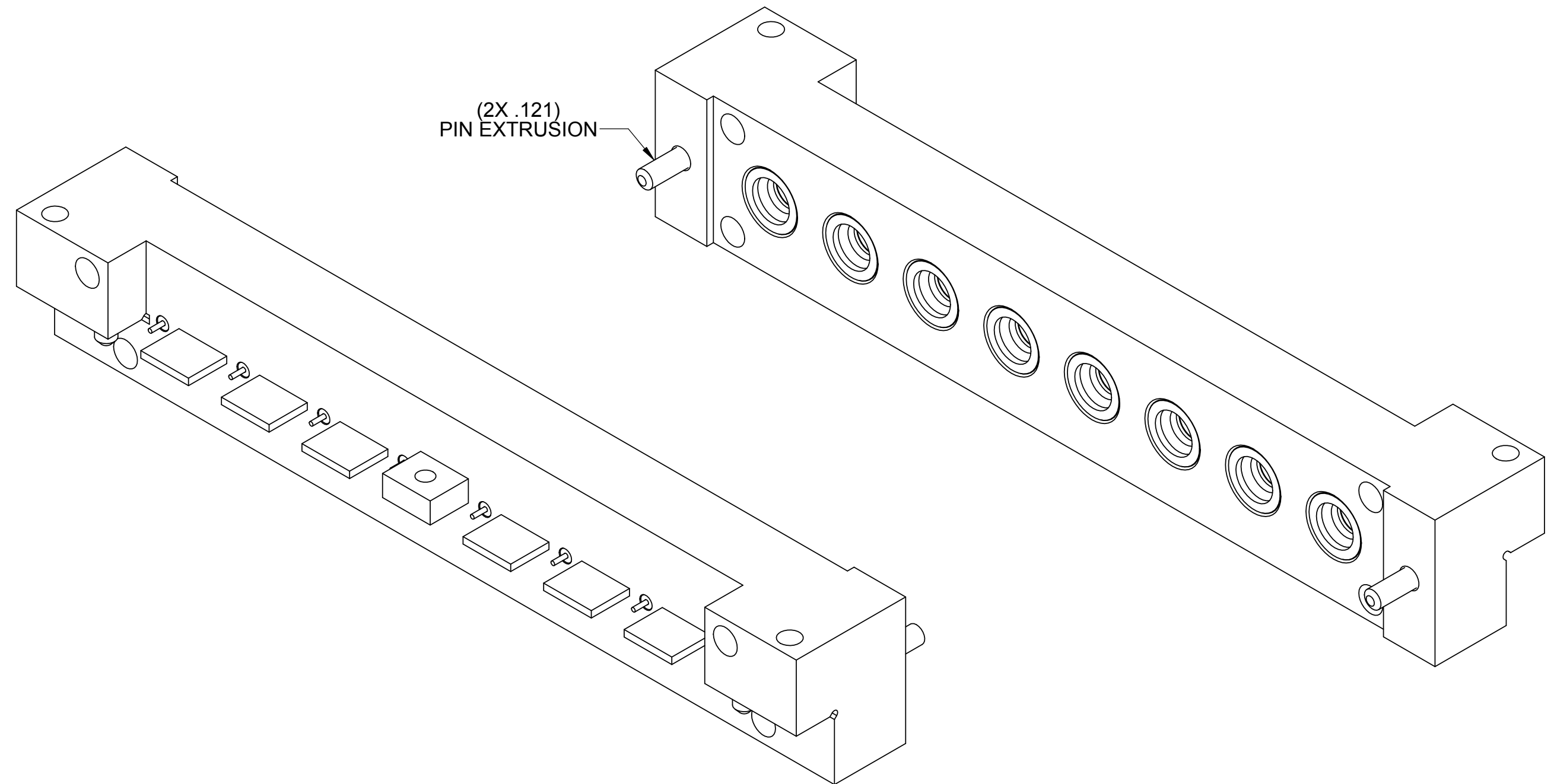
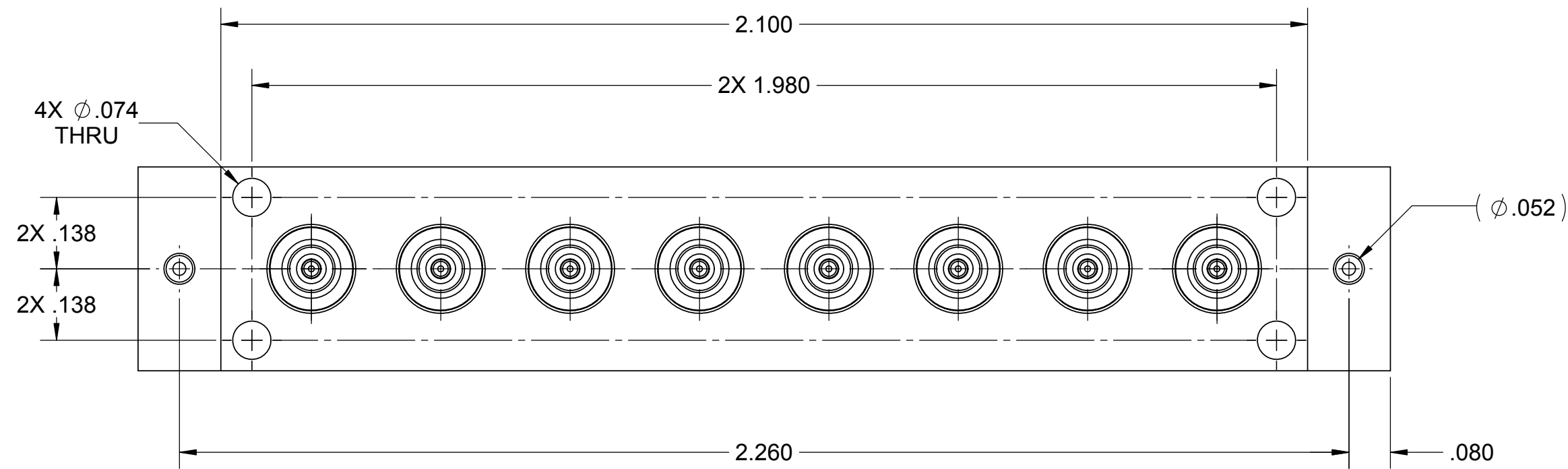
DWG. NO. **3211-60181**

SCALE: 4:1

SHEET 1 OF 2

PRODUCT DATA DRAWING

REVISION HISTORY			
REV.	DESCRIPTION	DATE	APPROVED
	SEE SHEET 1		



MATERIAL:	SEE NOTES
FINISH:	SEE NOTES
DO NOT SCALE DRAWING	
PROPRIETARY	
<small>THE INFORMATION CONTAINED IN THIS DRAWING IS THE SOLE PROPERTY OF SV MICROWAVE, INC. ANY REPRODUCTION IN PART OR AS A WHOLE WITHOUT THE WRITTEN PERMISSION OF SV MICROWAVE, INC. IS PROHIBITED.</small>	

<small>DIMENSIONS ARE IN INCHES TOLERANCES: ANGULAR: $\pm 1^\circ$ ONE PLACE DECIMAL ± 0.30 TWO PLACE DECIMAL ± 0.10 THREE PLACE DECIMAL ± 0.05 INTERPRET DIMENSIONS AND TOLERANCES PER ASME Y14.5M - 1994</small>	
THIRD ANGLE PROJECTION	

<small>UNLESS OTHERWISE SPECIFIED: 1. ALL DIMENSIONS ARE AFTER PLATING. 2. BREAK CORNERS & EDGES R.005 MAX. 3. CHAMFER 1ST AND LAST THREAD. 4. SURFACE ROUGHNESS 63 PER MIL-STD-10. 5. DIA'S ON COMMON CENTERS TO BE CONCENTRIC WITHIN .005 T.I.R. 6. REMOVE ALL BURRS.</small>	
DRAWN:	FED 05/27/16
CHECKED:	STW 05/27/16
APPROVED:	STW 05/27/16
E.M. SIMULATION:	

SV Microwave, Inc.[®] <small>2400 Centrepark West Drive, Suite 100 West Palm Beach, FL 33409</small>			
TITLE: SMPM FD MALE 8-PORT EDGE LAUNCH			
SIZE	CAGE CODE	DWG. NO.	
C	95077	3211-60181	
SCALE: 4:1		SHEET 2 OF 2	

X-ON Electronics

Largest Supplier of Electrical and Electronic Components

Click to view similar products for [RF Connectors / Coaxial Connectors](#) category:

Click to view products by [Amphenol](#) manufacturer:

Other Similar products are found below :

[8915-1511-000](#) [89674-0827](#) [6001-7071-019](#) [6002-7051-003](#) [6002-7551-202](#) [6059674-1](#) [619550-1](#) [630059-000](#) [M39030/3-01N](#) [M3933/25-36N](#) [6500-7071-046](#) [6769](#) [CX050L2AQ](#) [7002-1542-011](#) [7004-1512-000](#) [7009-1511-004](#) [7010-1511-000](#) [7029-1511-060](#) [7101-1541-010](#) [7101-1571-002](#) [7105-1521-002](#) [7145-1521-002](#) [7203-1571-003](#) [7209-1511-011](#) [7210-1511-015](#) [7210-1511-019](#) [73137-5015](#) [73216-2241](#) [7325-1512-000](#) [73404-2300](#) [7405-1521-005](#) [7405-1521-802](#) [7406-1521-005](#) [8527](#) [8547](#) [FS11V](#) [8808-1511-001](#) [9049-9513-000](#) [9074-9513-000](#) [9101-9573-002](#) [910A205F](#) [9130-9573-002](#) [PL11SC-026](#) [PL375-33](#) [PL40-5](#) [PL71-9](#) [PL74C-221](#) [PL75MC-217](#) [PL803-7](#) [980-8666-005](#)