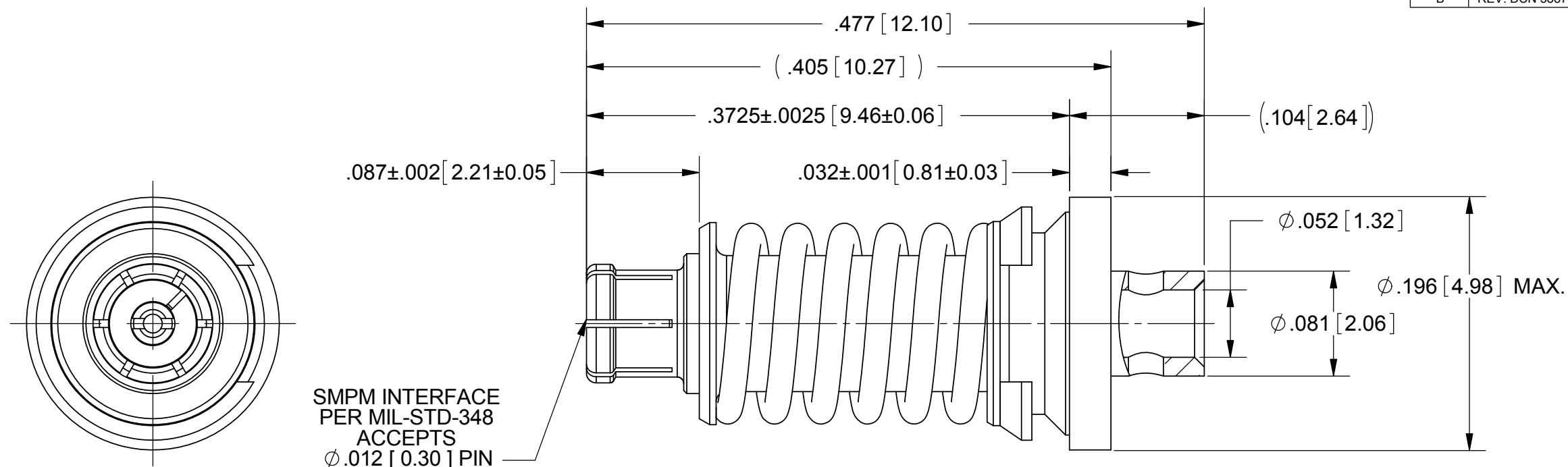


PRODUCT DATA DRAWING

| REVISION HISTORY | | | |
|------------------|----------------|----------|----------|
| REV | DESCRIPTION | DATE | APPROVED |
| - | REL. DCN 37868 | 11/05/10 | STW |
| A | REV. DCN 38488 | 08/22/11 | STW |
| B | REV. DCN 38878 | 02/24/12 | STW |



MATERIAL:

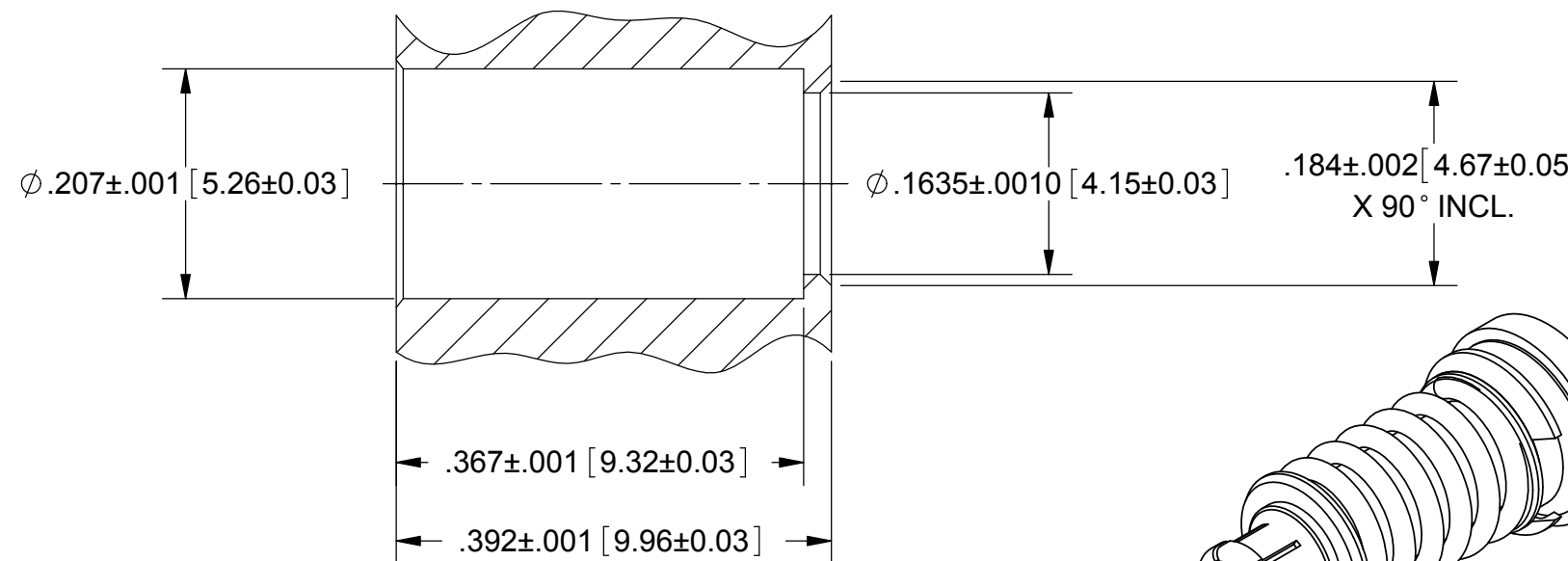
- BODY, CONTACT & RETAINING RING:** BERYLLIUM COPPER PER ASTM B196, ALLOY No. UNS C17300, TD04.
- RETAINING WASHER:** STAINLESS STEEL PER AMS 5640
- INSULATOR:** PTFE PER ASTM D1710, TYPE I, GRADE 1, CLASS B
- COMPRESSION SPRING:** STAINLESS STEEL PER ASTM A313, TYPE 302
- FINISH:**
- BODY & CONTACTS:** GOLD PER ASTM B488, TYPE II, CODE C, CLASS 1.27; OVER NICKEL PER AMS-QQ-N-290, CLASS 1, .00005" MIN.
- RETAINING WASHER:** PASSIVATED PER AMS 2700 TYPE 2
- COMPRESSION SPRING:** PASSIVATE PER AMS 2700

PERFORMANCE:

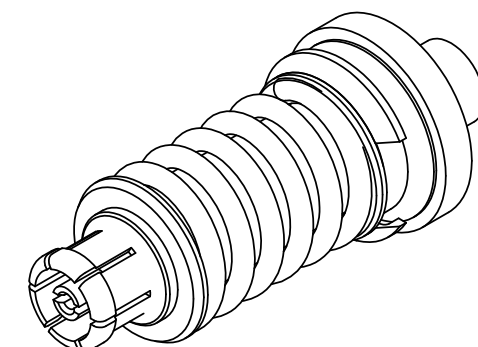
- IMPEDANCE:** 50 OHMS
- FREQ. RANGE:** DC TO 65.0 GHz
- DWV:** 325 VRMS
- OPERATING TEMP.:** -55°C TO +125°C
- VSWR:** 1.10:1 DC TO 26.5GHz, 1.30:1 TYPICAL TO 50 GHz
- INSERTION LOSS:** .12 X SQRT(F(F IN GHz))
- INSUL. RESISTANCE:** 5000 MEGOHMS MIN.

SPRING PROPERTIES:

- PRE-LOAD:** 2.56±.25 LBS
- FORCE AT .052" COMPRESSION:** 3.90±.39 LBS
- MIN. FULL DEFLECTION:** .078"



RECOMMENDED MOUNTING HOLE



| | | | |
|---|--|---|---|
| MATERIAL: SEE NOTES | DIMENSIONS ARE IN INCHES TOLERANCES: FRACTIONAL: ±1/64 ANGULAR: X° ±1'0" X"X' ±15' | UNLESS OTHERWISE SPECIFIED 1) ALL DIMENSIONS ARE IN INCHES (MILLIMETERS) 2) ALL DIMENSIONS ARE AFTER PLATING. 3) BREAK CORNERS & EDGES .005 R. MAX. 4) CHAM. 1ST & LAST THREADS. 5) SURFACE ROUGHNESS 63-MIL-STD-10. 6) DIA.'S ON COMMON CENTERS TO BE CONCENTRIC WITHIN .005 T.I.R. 7) REMOVE ALL BURRS | SV Microwave, Inc. 2400 Centrepark West Drive, Suite 100 West Palm Beach, FL 33409 |
| FINISH: SEE NOTES | DECIMAL: X ±.030 .XX ±.010 .XXX ±.005 | INTERPRET DIMENSIONS AND TOLERANCES PER ASME Y14.5M - 1994 | TITLE: SMPM FEMALE, FLOAT MOUNT, FOR Ø.047 CABLE |
| SURFACE AREA: N/A | THIRD ANGLE PROJECTION | DRAWN: JMC 11/05/10 | SIZE: B CAGE CODE: 95077 DWG. NO.: 3221-40019 |
| PROPRIETARY THE INFORMATION CONTAINED IN THIS DRAWING IS THE SOLE PROPERTY OF SV MICROWAVE, INC. ANY REPRODUCTION IN PART OR AS A WHOLE WITHOUT THE WRITTEN PERMISSION OF SV MICROWAVE, INC IS PROHIBITED. | | CHECKED: STW 11/05/10 | SCALE: 10:1 |
| | | APPROVED: STW 11/05/10 | SHEET 1 OF 1 |

X-ON Electronics

Largest Supplier of Electrical and Electronic Components

Click to view similar products for [RF Connectors / Coaxial Connectors](#) category:

Click to view products by [Amphenol](#) manufacturer:

Other Similar products are found below :

[8915-1511-000](#) [89674-0827](#) [6001-7071-019](#) [6002-7051-003](#) [6002-7551-202](#) [6059674-1](#) [619550-1](#) [630059-000](#) [M39030/3-01N](#) [M3933/25-36N](#) [6500-7071-046](#) [6769](#) [CX050L2AQ](#) [7002-1542-011](#) [7004-1512-000](#) [7009-1511-004](#) [7010-1511-000](#) [7029-1511-060](#) [7101-1541-010](#) [7101-1571-002](#) [7105-1521-002](#) [7145-1521-002](#) [7203-1571-003](#) [7209-1511-011](#) [7210-1511-015](#) [7210-1511-019](#) [73137-5015](#) [73216-2241](#) [7325-1512-000](#) [73404-2300](#) [7405-1521-005](#) [7405-1521-802](#) [7406-1521-005](#) [8527](#) [8547](#) [FS11V](#) [8808-1511-001](#) [9049-9513-000](#) [9074-9513-000](#) [9101-9573-002](#) [910A205F](#) [9130-9573-002](#) [PL11SC-026](#) [PL375-33](#) [PL40-5](#) [PL71-9](#) [PL74C-221](#) [PL75MC-217](#) [PL803-7](#) [980-8666-005](#)