

ZONE	REV	SCR NUMBER	DESCRIPTION	BY	DATE	APPROVED
ALL	A	CSAS-743R3H.VER01	NEW RELEASE	M.DEROSA	06/12/2007	D.SMITH
	B	CSAS-83MHBL.VER01	ADDED NEW PART NUMBERS FOR NEW PLATING CODES IN ASSEMBLY PART NUMBER ASSIGNMENT TREE MODIFIED NOTE 4 AND 6.	HCL-MH	03/03/2010	C.SAMMIS
SHT1, A8	C	DSMH-96LQUR.VER03	NOTE 7 ADDED	HCL-NS	05/20/2013	D.SMITH

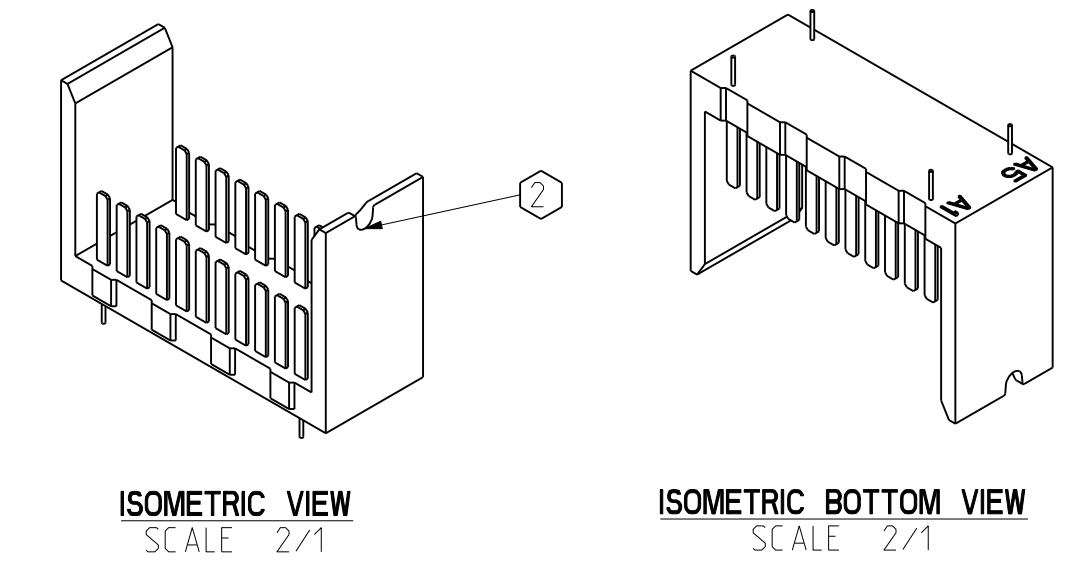
OPEN L-SERIES BACKPLANE MODULE  
ASSEMBLY PART NUMBER ASSIGNMENT  
327 - X 0 X X - 0 X X

LOAD  
5 = STANDARD LOAD  
7 = CUSTOM LOAD, LEADED  
8 = CUSTOM LOAD, LEAD FREE  
L = CUSTOM LOAD, LEADED, ADVANCED PLATING  
N = CUSTOM LOAD, LEAD FREE, ADVANCED PLATING

NUMBER OF COLUMNS  
05 = 5 COLUMN MODULE  
10 = 10 COLUMN MODULE

MINIMUM PIN WIPE LENGTH, SEE DETAIL U  
3 = 1.00 mm WIPE  
4 = 2.00 mm WIPE  
5 = 3.00 mm WIPE

PLATING CODE  
0 = 735 4=804  
1 = 732 5=803  
2 = 769 6=806  
3 = 768 7=805

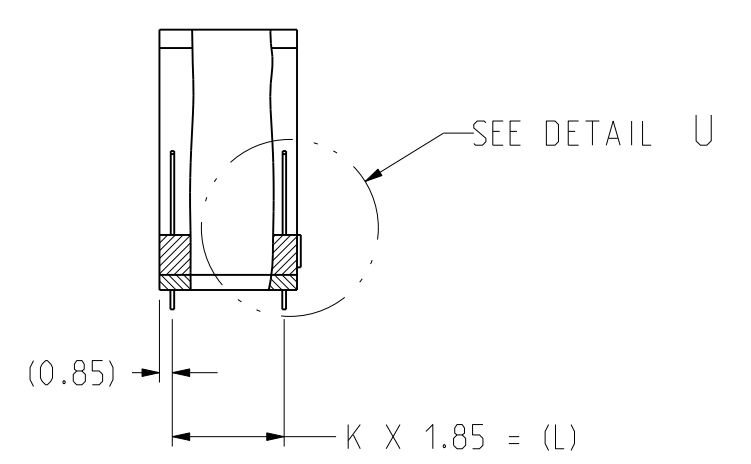
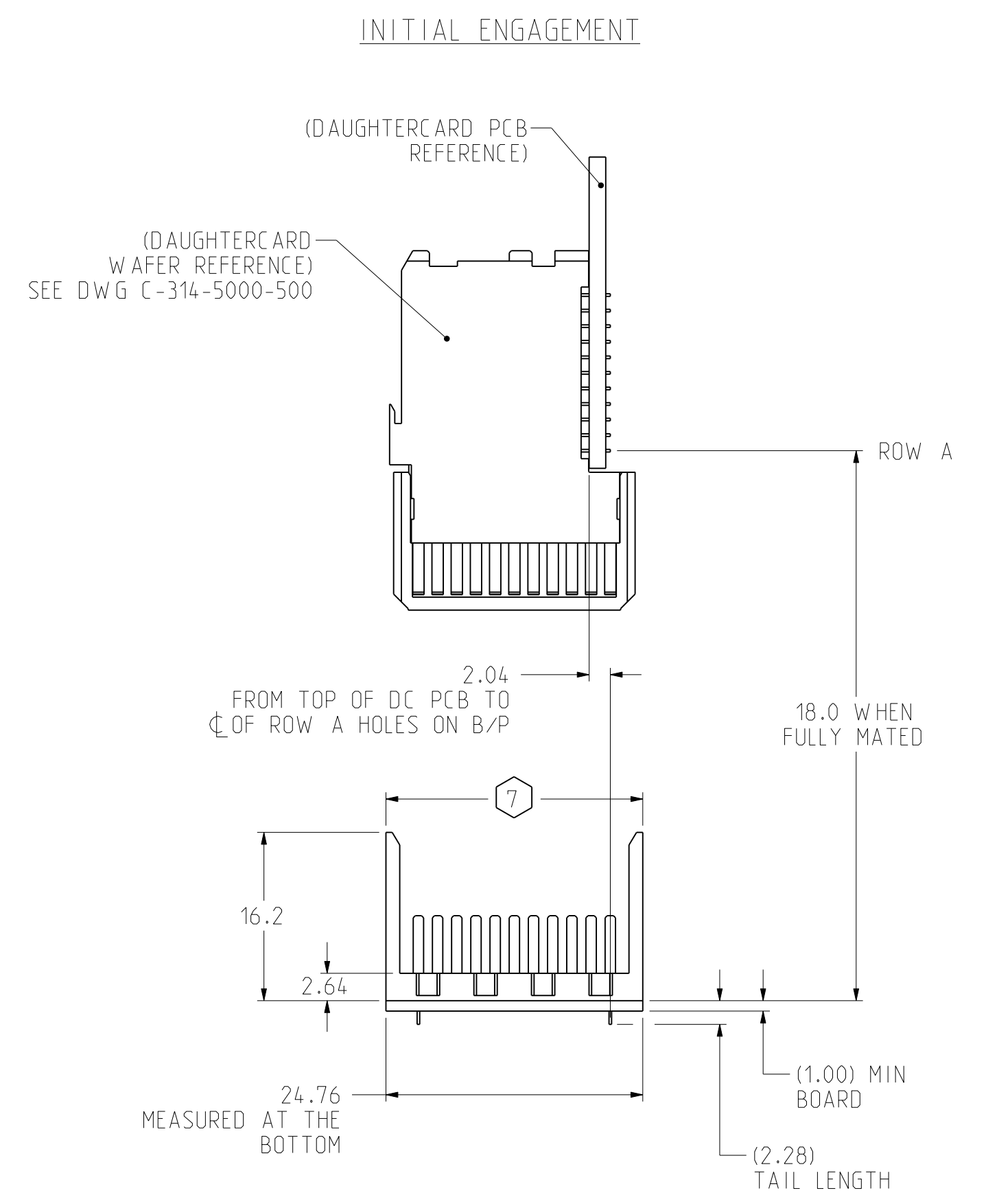
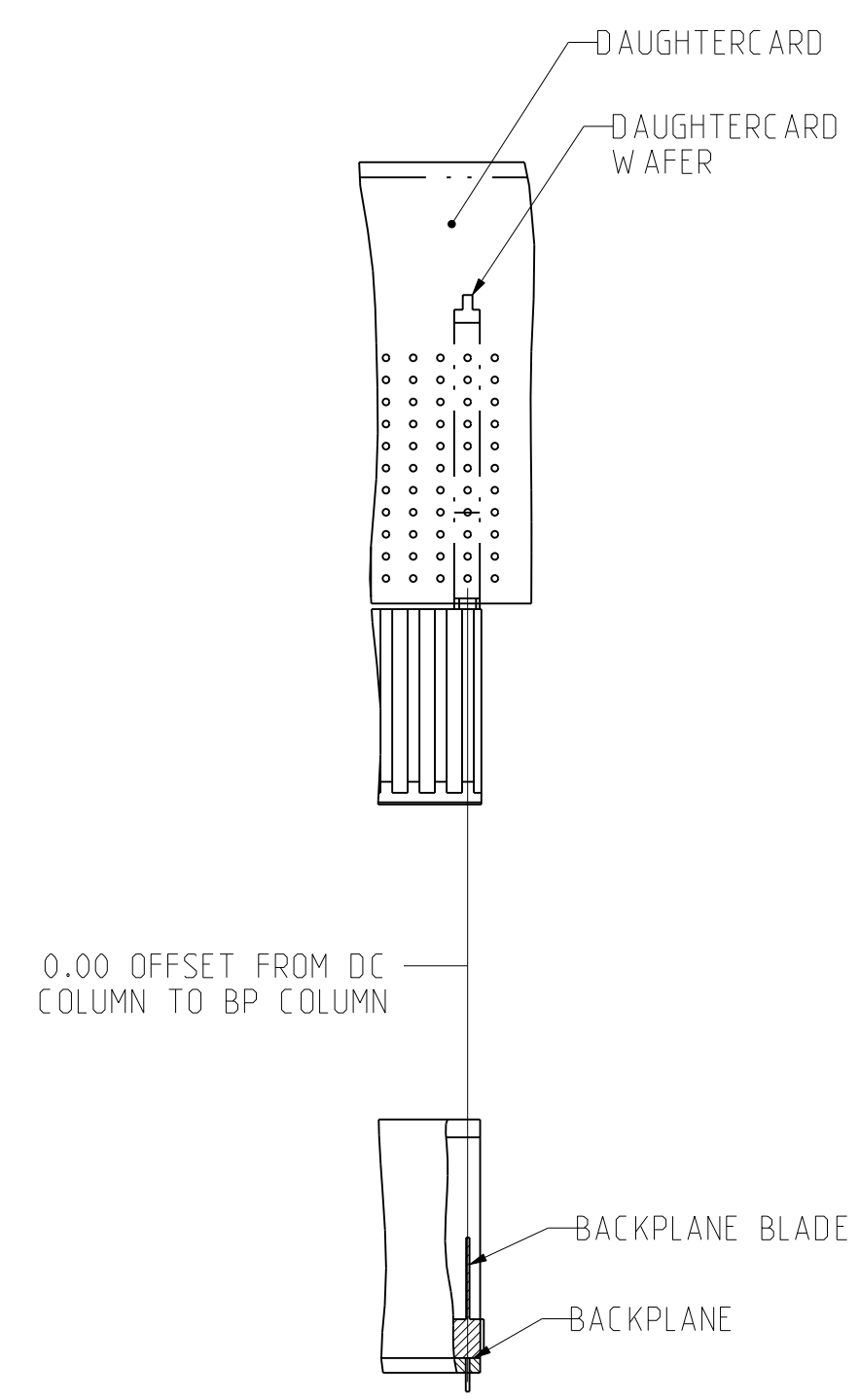
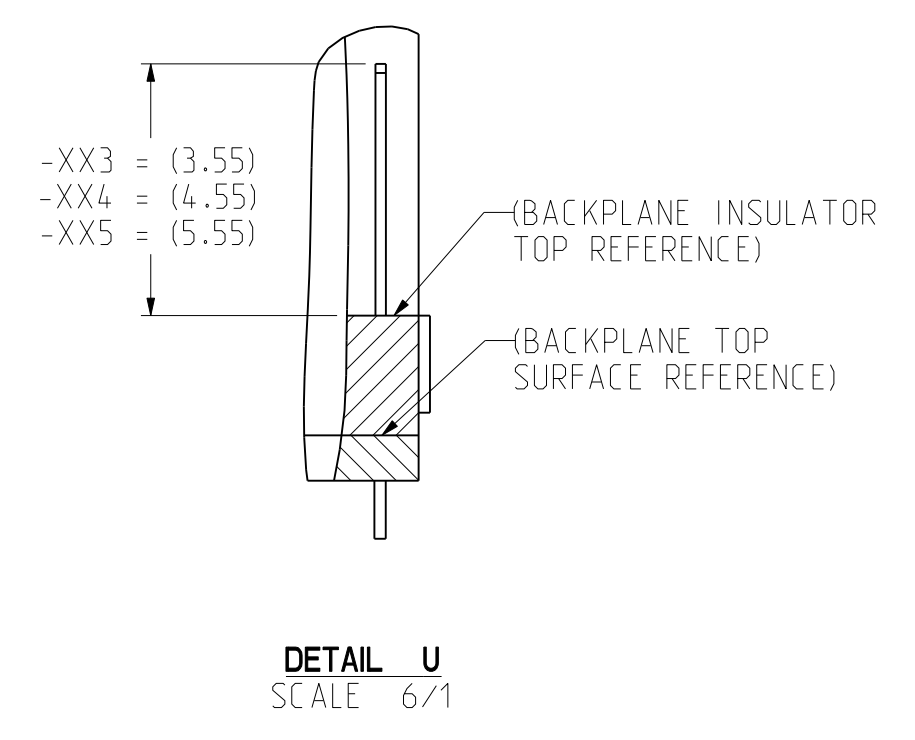
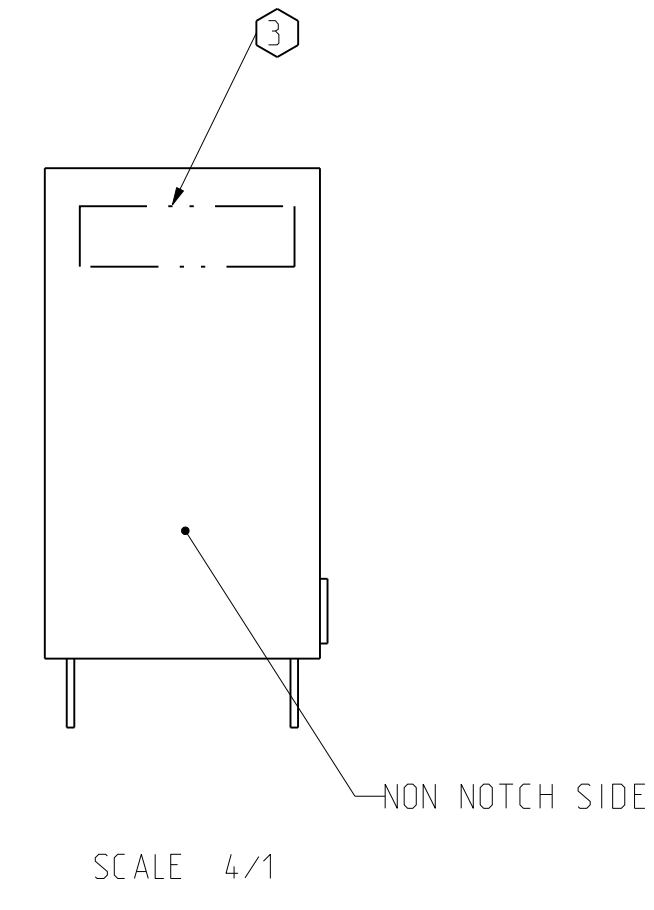
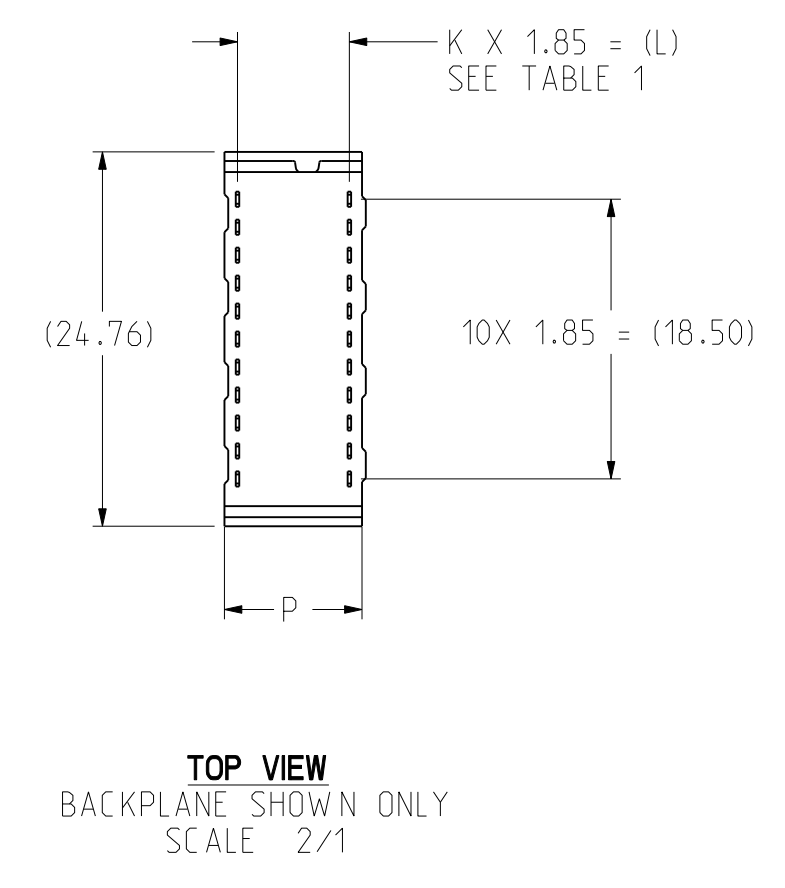


**TABLE 1**

ASSEMBLY PART NUMBER	K	(L)	P	TOTAL NUMBER OF SIGNAL CONTACTS
327-X005-00X	4	(7.40)	9.10	55
327-X010-00X	9	(16.65)	18.35	110

**TABLE 2**

ASSEMBLY PART NUMBER	SIGNAL CONTACT	MINIMUM WIPE LENGTH
327-50XX-0X3	170-0003-6	3.00mm
327-50XX-0X4	170-0004-6	4.00mm
327-50XX-0X5	170-0005-6	5.00mm



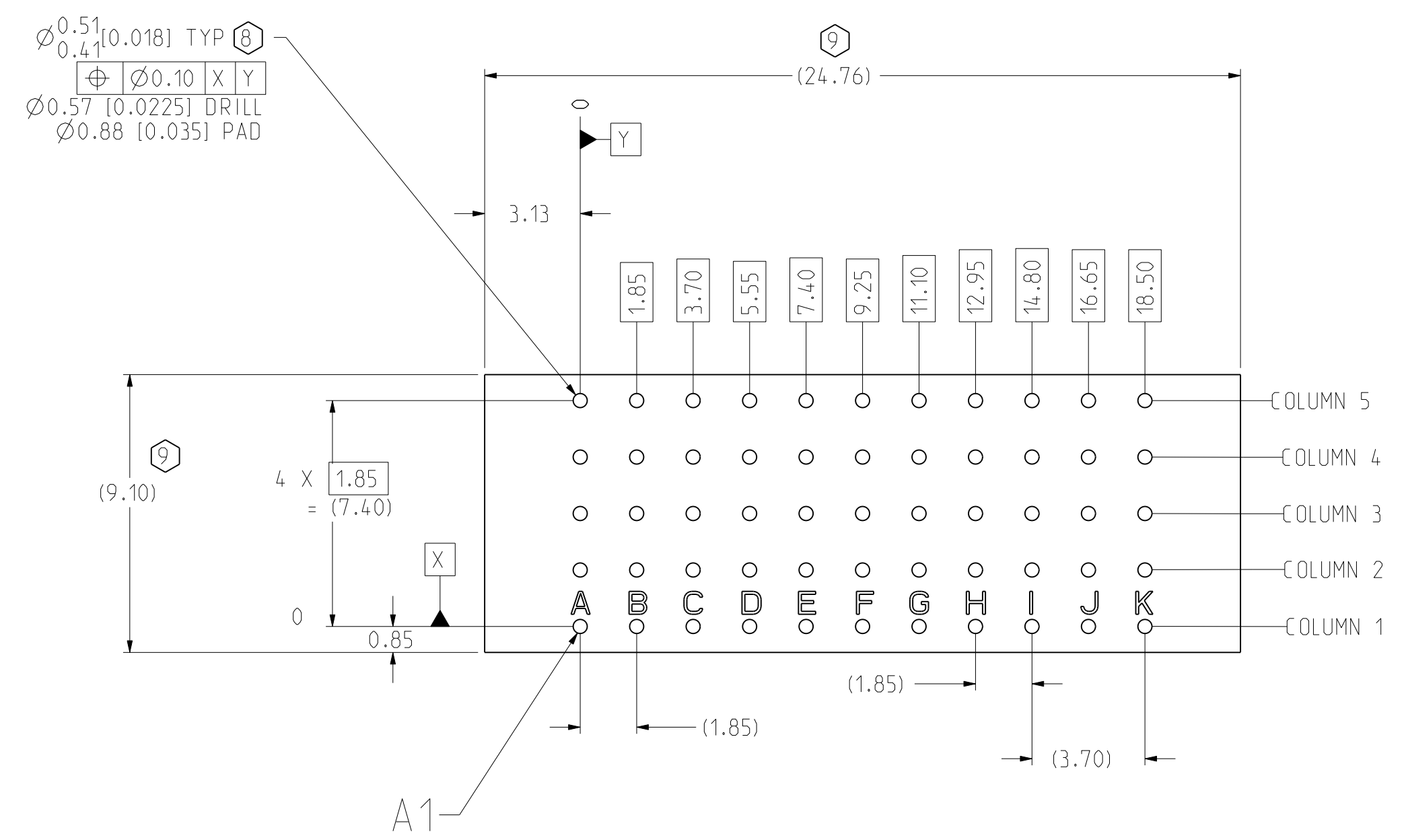
NOTES:

- REFER TO TB-2085 FOR GbX PRODUCT SPECIFICATIONS.
- NOTCH DESIGNATES "ROW A" SIDE OF SHROUD. NOTCH FEATURE ON OPPOSITE SIDE FROM PART MARKING.
- PART MARKING AS FOLLOWS:  
LINE 1: "ATCS" AND DATECODE (ATCS YYWW).  
LINE 2: MODULE PART NUMBER (327-###-###).  
LINE 3: WORK ORDER NUMBER (#####), WHERE "\*" DENOTES MANUFACTURING LOCATION.
- 9th DIGIT OF PART NUMBER IDENTIFIES PLATING.  
735 - Ni SULFAMATE, STANDARD GOLD, LEADED  
732 - Ni SULFAMATE, HIGH GOLD, LEADED  
769 - Ni SULFAMATE, STANDARD GOLD, LEAD-FREE  
768 - Ni SULFAMATE, HIGH GOLD, LEAD-FREE  
804 - NANO Ni, STANDARD GOLD, LEADED  
803 - NANO Ni, HIGH GOLD, LEADED  
806 - NANO Ni, STANDARD GOLD, LEAD-FREE  
805 - NANO Ni, HIGH GOLD, LEAD-FREE
- FOR REPAIR PROCEDURE FOR BLADE, SEE TB-2099.
- IF 4TH DIGIT OF THE PART NUMBER IS 7 OR 8 OR L OR N (CUSTOM PART), DIGIT 5 THROUGH 10 DO NOT FOLLOW THE PARADIGM IN TABLE.
- 0.25MM TOE-IN IS ACCEPTABLE WHEN MEASURE AT THE TOP OF EACH SIDE WALL.

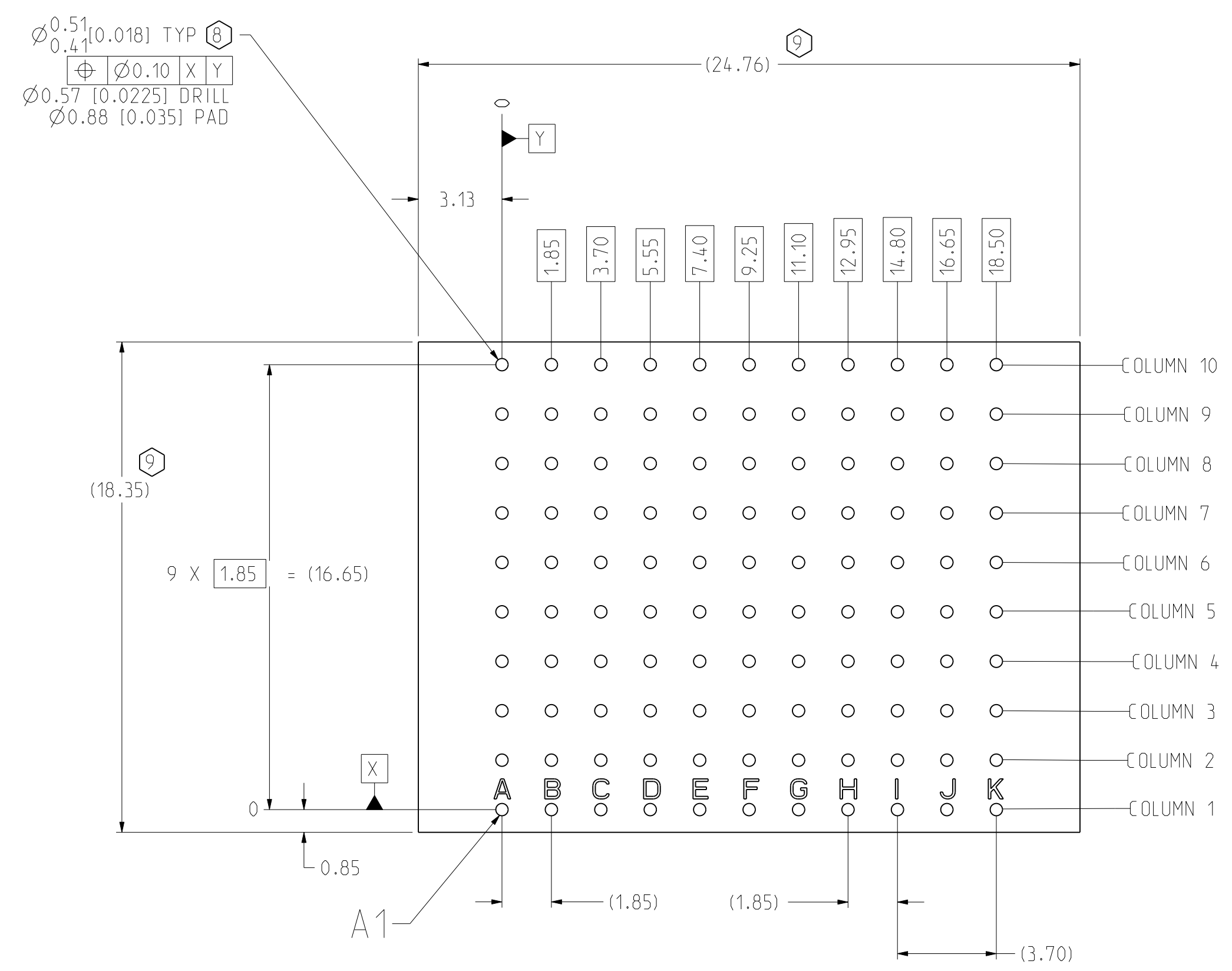
TOLERANCES	DESIGN 07/14/03 M.DEROSA	<p><b>Amphenol TCS</b> A Division of Amphenol Corporation 200 Innovative Way, Nashua, NH 03082 603.878.3000</p>	TITLE	OPEN BACKPLANE MODULE 4 PAIR GbX L-SERIES	REV	N/A
0.0 ±0.25	DRAWN 07/14/03 M.DEROSA		PART NO.	SEE TABLE 1	REV	C
0.00 ±0.13	CHK 02/11/04 T.DO		DRAWING NO.	C-327-5000-500	SCALE	2/1
0.000 ± -	APVD 02/11/04 T.DO		ASSEM P1045-CU-BP-SHRD-OPEN DRAWING C-327-5000-500	1.8 C.O	SHEET	1 OF 2
ANGLES ± -		UNLESS OTHERWISE SPECIFIED DIMENSIONS ARE IN MM. DECIMAL MARKER IS A PERIOD.	CUSTOMER USE DRAWING			
		INTERPRET PER ASME Y14.5M CODE IDENT 31413				

DRW NO. C-327-5000-500

SH 1 REV C



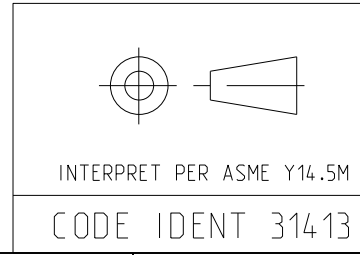
5 POSITION GBX-L SERIES BACKPLANE HOLE PATTERN  
COMPONENT SIDE SHOWN  
SCALE 6/1



10 POSITION GBX-L SERIES BACKPLANE HOLE PATTERN  
COMPONENT SIDE SHOWN  
SCALE 6/1

NOTES:  
 Ⓢ STATED PAD SIZE MAY REQUIRE FILLETING. FOR DETAILED ROUTING GUIDELINES, SEE TB-2090.  
 Ⓣ SEE DOCUMENT 190-0002-000 FOR TOOLING KEEPOUT ZONES.

TOLERANCES		DESIGN 07/14/03 M.DEROSA	<b>Amphenol TCS</b> A Division of Amphenol Corporation 200 Innovative Way, Nashua, NH 03082 603.879.3000	TITLE OPEN BACKPLANE MODULE 4 PAIR GBX L-SERIES	PART NO. SEE TABLE 1	REV N/A
0.0	±0.25	DRAWN 07/14/03 M.DEROSA				
0.00	±0.13	CHK 02/11/04 T.DO				
0.000	± -	APVD 02/11/04 T.DO				
ANGLES	± -		DRAWING NO. C-327-5000-500	REV C		
UNLESS OTHERWISE SPECIFIED DIMENSIONS ARE IN MM. DECIMAL MARKER IS A PERIOD.			CUSTOMER USE DRAWING		ASSEM P1045-CU-BP-SHRD-OPEN DRAWING C-327-5000-500	1.8 C.O
SIZE	D	SCALE 3/1	SHEET 2 OF 2			



DRW NO. C-327-5000-500

SH 2 REV C

## X-ON Electronics

Largest Supplier of Electrical and Electronic Components

*Click to view similar products for [High Speed/Modular Connectors](#) category:*

*Click to view products by [Amphenol](#) manufacturer:*

Other Similar products are found below :

[2332816-1](#) [89006-1137LF](#) [650827-1](#) [65762-001LF](#) [73474-201LF](#) [74040-1346](#) [74075-0267](#) [88911-201LF](#) [9514M0C20D](#) [1410191-1](#)  
[1410337-1](#) [1410368-3](#) [1410964-2](#) [1410326-3](#) [1410367-3](#) [1410971-4](#) [1467833-1](#) [2000877-1](#) [2000878-1](#) [2041314-1](#) [2065387-1](#) [2187307-1](#)  
[2187462-1](#) [2226278-6](#) [KA81-07](#) [91290-101LF](#) [1934290-1](#) [2000875-1](#) [2065917-1](#) [2102736-2](#) [FSR-40](#) [2169868-2](#) [2226279-2](#) [22354-8](#) [437-](#)  
[5040-000](#) [5-1393565-0](#) [532449-3](#) [532803-2](#) [34745-0001](#) [0740618502](#) [0760151403](#) [0760551105](#) [0760551608](#) [0761451128](#) [0761651124](#)  
[0761655108](#) [0761659807](#) [0769853208](#) [0736440217](#) [0758324203](#)